

# Milwaukee®

Nothing but **HEAVY DUTY**.®



## M18 FHM

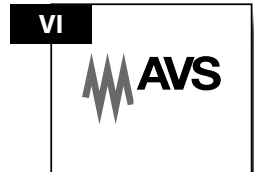
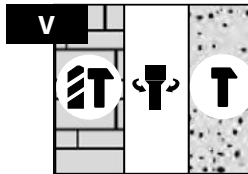
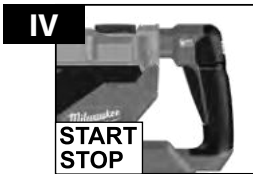
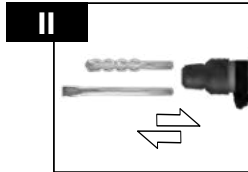
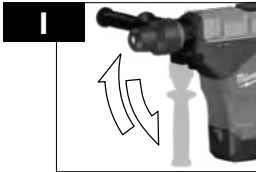
Original instructions  
Originalbetriebsanleitung  
Notice originale  
Istruzioni originali  
Manual original  
Manual original  
Oorspronkelijke  
gebruiksaanwijzing  
Original brugsanvisning  
Original bruksanvisning  
Bruksanvisning i original

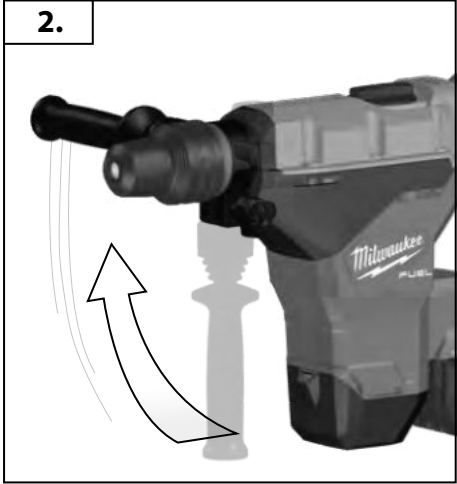
Alkuperäiset ohjeet  
Πρωτότυπο οδηγίων χρήσης  
Orijinal işletme talimatı  
Původním návodem k používání  
Původný návod na použití  
Instrukcją oryginalną  
Eredeti használati utasítás  
Izvirna navodila  
Originalne pogonske upute  
Instrukcijām oriēnālvadā  
Originali instrukcija

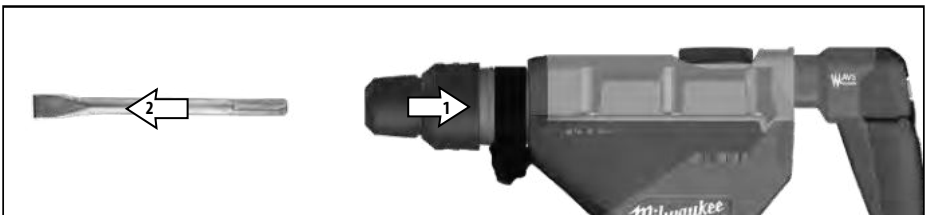
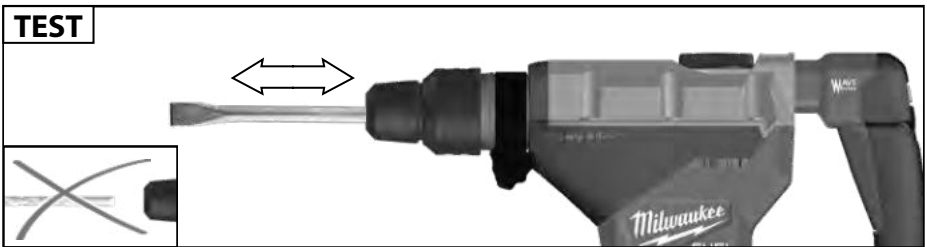
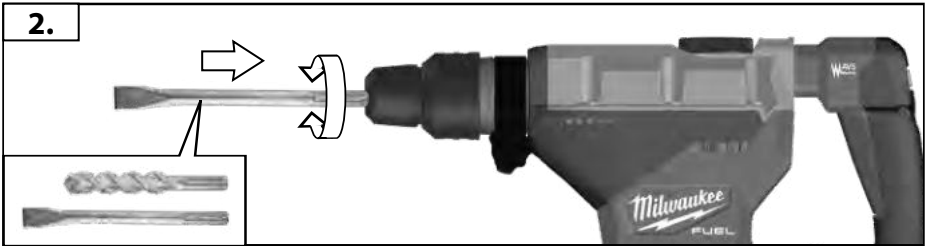
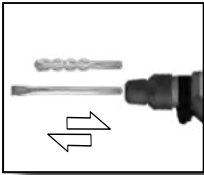
Algupärane kasutusjuhend  
Оригинальное руководство  
по эксплуатации  
Оригинално ръководство за  
експлоатация  
Instrucțiuni de folosire originale  
Оригинален прирачник за  
работа  
Оригінал інструкції з  
експлуатації  
التعليمات الأصلية

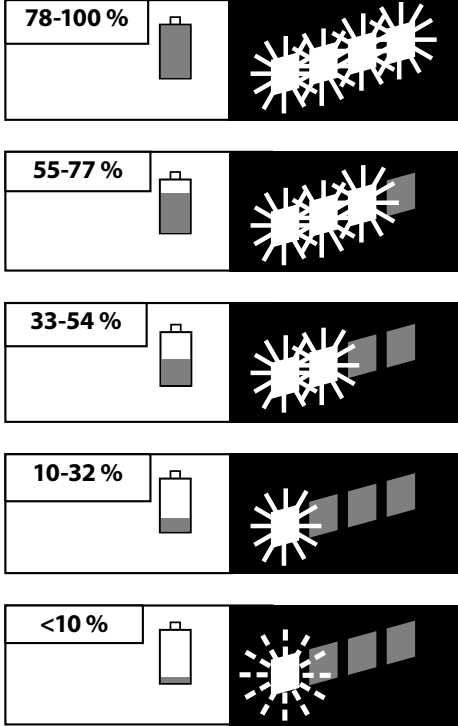
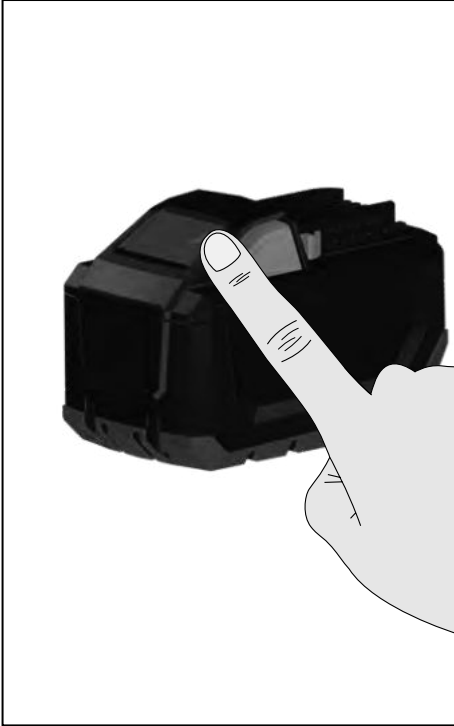
Technical Data, Safety Instructions, Specified Conditions of Use, EC-Declaration of Conformity, Batteries, Maintenance, Symbols	Please read and save these instructions!	<b>English</b>	<b>14</b>
Technische Daten, Sicherheitshinweise, Bestimmungsgemäße Verwendung, CE-Konformitätserklärung, Akku, Wartung, Symbole	Bitte lesen und aufbewahren!	<b>Deutsch</b>	<b>17</b>
Caractéristiques techniques, Instructions de sécurité, Utilisation conforme aux prescriptions, Déclaration CE de Conformité, Accus, Entretien, Symboles	A lire et à conserver soigneusement	<b>Français</b>	<b>20</b>
Dati tecnici, Norme di sicurezza, Utilizzo conforme, Dichiarazione di Conformità CE, Batterie, Manutenzione, Simboli	Si prega di leggere e conservare le istruzioni!	<b>Italiano</b>	<b>23</b>
Datos técnicos, Instrucciones de seguridad, Aplicación de acuerdo a la finalidad, Declaración de Conformidad CE, Batería, Mantenimiento, Símbolos	Lea y conserve estas instrucciones por favor!	<b>Español</b>	<b>26</b>
Características técnicas, Instruções de segurança, Utilização autorizada, Declaração de Conformidade CE, Acumulador, Manutenção, Símbolo	Por favor leia e conserve em seu poder!	<b>Português</b>	<b>29</b>
Technische gegevens, Veiligheidsadviezen, Voorgescreven gebruik van het systeem, EC-Konformiteitsverklaring, Akku, Onderhoud, Symbolen	Lees en let goed op deze adviezen!	<b>Nederlands</b>	<b>32</b>
Tekniske data, Sikkerhedshenvisninger, Tiltænkent formål, CE-Konformitetserklæring, Batteri, Vedligeholdelse, Symboler	Vær venlig at læse og opbevare!	<b>Dansk</b>	<b>35</b>
Tekniske data, Spesielle sikkerhetshenvisninger, Formålsmessig bruk, CE-Samsvarserklæring, Batterier, Vedlikehold, Symboler	Vennligst les og oppbevar!	<b>Norsk</b>	<b>38</b>
Tekniska data, Säkerhetsutrustning, Använd maskinen Enligt anvisningarna, CEFörsäkrat, Batterier, Skötsel, Symboler	Läs igenom och spara!	<b>Svenska</b>	<b>41</b>
Tekniset arvot, Turvallisuusohjeet, Tarkoituksenmukainen käyttö, Todistus CE-standardinmukaisuudesta, Akku, Huolto, Symbolit	Lue ja säilytä!	<b>Suomi</b>	<b>44</b>
Τεχνικά στοιχεία, Ειδικές υποδείξεις ασφαλείας, Χρήση σύμφωνα με το σκοπό προοριζομένου, Δήλωση πιστότητας ΕΚ, Μπαταρίες, Χαρακτηριστικά, Συμβόλα.	Παρακαλώ διαβάστε τις και φυλάξτε τις!	<b>Ελληνικά</b>	<b>47</b>
Teknik veriler, Güvenliğinizi için talimatlar, Kullanım, CE uyumluluk beyanance, Akü, Bakım, Semboller	Lütfen okuyun ve saklayın	<b>Türkçe</b>	<b>50</b>
Technická data, Speciální bezpečnostní upozornění, Oblast využití, Ce-prohlášení o shodě, Akumulátory, Údržba, Symboly	Po přečtení uschovejte	<b>Česky</b>	<b>53</b>
Technické údaje, Špeciálne bezpečnostné pokyny, Použitie podľa a predpisov, CE-Vyhľadanie konformity, Sieťová prípojka, Údržba, Symboly	Prosím prečítať a uschovať!	<b>Slovensky</b>	<b>56</b>
Dane techniczne, Specjalne zalecenia dotyczace bezpieczenstwa, Uzytkowanie zgodne z przeznaczeniem, Swiadectwo zgodnosci ce, Podlaczenie do sieci, Gwarancja, Symbole	Należy uważnie przeczytać i zachować do wglądu!	<b>Polski</b>	<b>59</b>
Műszaki adatok, Különleges biztonsági tudnivalók, Rendeltetészerű használat, CE-azonosítási nyilatkozat, Hálózati csatlakoztatás, Karbantartás, Szimbólumok	Olvassa el és őrizze meg	<b>Magyar</b>	<b>62</b>
Tehnični podatki, Specialni varnostni napotki, Uporaba v skladu z namembnostjo, Ce-izjava o konformnosti, Omrežni priključek, Vzdrževanje, Simboli	Prosimo preberite in shranite!	<b>Slovensko</b>	<b>65</b>
Tehnički podaci, Specijalne sigurnosne upute, Propisna upotreba, CE-Izjava konformnosti, Priključak na mrežu, Održavanje, Simboli	Molimo pročitati i sačuvati	<b>Hrvatski</b>	<b>68</b>
Tehniske dati, Speciālie drošības noteikumi, Noteikumiem atbilstošs izmantojums, Atbilstība CE normām, Tikla pieslēgums, Apkope, Simboli	Pielikums lietošanas pamācībai	<b>Latviski</b>	<b>71</b>
Techniniai duomenys, Ypatingos saugumo nuorodos, Naudojimas pagal paskirti, CE Atitikties pareiškimas, Elektros tinklo jungtis, Techninis aptarnavimas, Simboliai	Prašome perskaityti ir neišmesti!	<b>Lietuviškai</b>	<b>74</b>
Tehnilised andmed, Spetsiaalsed turvajuhised, Kasutamine vastavalt otstarbele, EÜ Vastavusavaldus, Võrku ühendamine, Hooldus, Sümbolid	Palun lugege läbi ja hoidke alal!	<b>Eesti</b>	<b>77</b>
Технические данные, Рекомендации по технике безопасности, Использо- вание, Подключение к электросети, Обслуживание, Символы	Пожалуйста прочтите и сохраните эту инструкцию.	<b>Русский</b>	<b>80</b>
Технически данни, Специални указания за безопасност, Използване по предназначение, CE-Декларация за съответствие, Свързване към мрежата, Поддръжка, Символи	Моля прочетете и запазете!	<b>Български</b>	<b>83</b>
Date tehnice, Instrucțiuni de securitate, Condiții de utilizare specifice, Declarație de conformitate, Acumulatori, Întreținere, Simboluri	Va rugăm citiți și păstrați aceste instrucțiuni	<b>Română</b>	<b>86</b>
Технички Податоци, Упатство За Употреба, Специфицирани Услови На Употреба, Еу-декларација За Сообразност, БАТЕРИИ, Одржување, Символи	Ве молиме прочитајте го и чувајте го ова упатство!	<b>Македонски</b>	<b>89</b>
Технічні характеристики, Вказівки З Техніки Безпеки, Використання за призначенням, Сертифікат Відповідності Вимогам Єс, Акумулятори, Обслуговування, Символи	Прочітайте та збережіть цю інструкцію.	<b>Українська</b>	<b>92</b>
تعليمات السلامة، شروط الاستخدام المحددة، البطاريات، إعلان المطابقة - الاتحاد الأوروبي، الصيانة، الرموز	يرجى قراءة وحفظ هذه التعليمات!	<b>العربية</b>	<b>97</b>

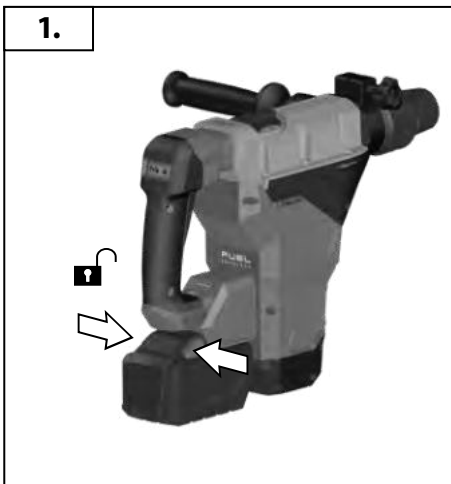
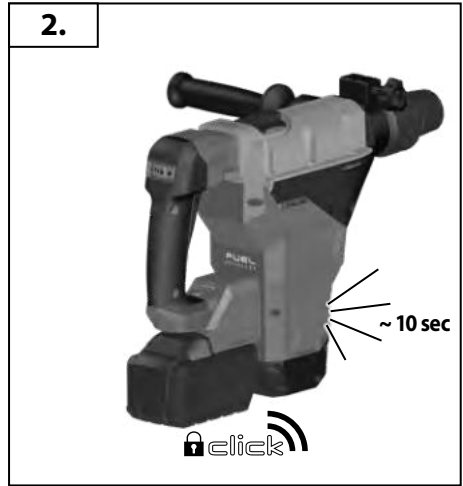
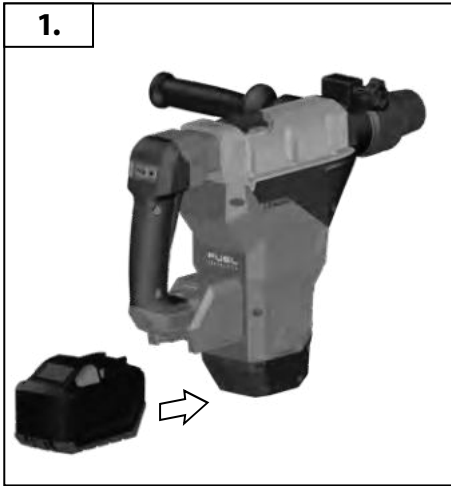














START  
STOP

START  
STOP

IV



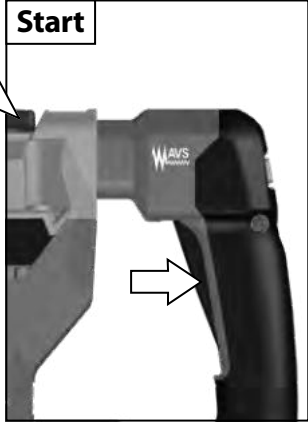
#### Insulated gripping surface

Isolierte Grifffläche  
Surface de prise isolée  
Superficie di presa isolata  
Superficie de agarre con aislamiento  
Superficie de pega isolada  
Geïsoleerde handgrepen  
Isolerede gripbeflader  
Isolert gripeflate  
Isolerad greppyta

Eristetty tarttumapinta  
Μονωμένη επιφάνεια λαβής  
İzolasyonlu tutma yüzeyi  
Izolovaná uchovací plocha  
Izolovaná úchopná plocha  
Izolowana powierzchnia uchwytu  
Szigetelt fogófelület  
Izolirana prijemalna površina  
Izolirana površina za držanje  
Izolėta satvėršanas virsma

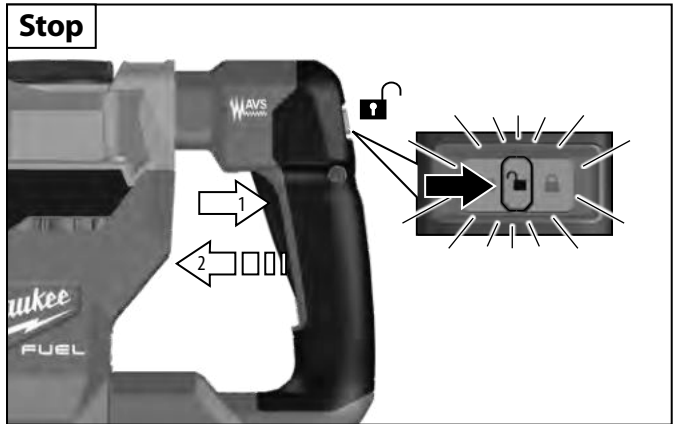
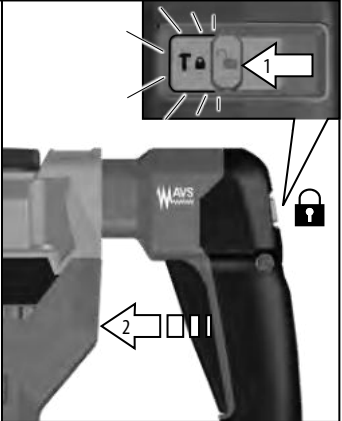
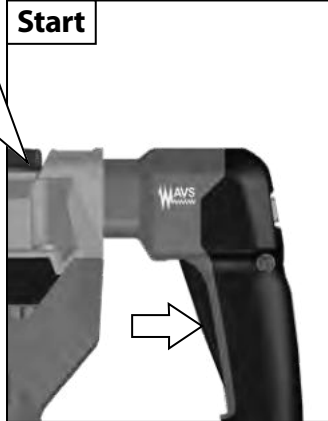
Izoliuotas rankenos paviršius  
Isoleeritud pideme pikiikond  
Изолированная поверхность ручки  
Изолирана повърхност за хващане  
Suprafață de prindere izolată  
Изолирана површина на дршката  
Ізолювана поверхня ручки  
مساحة المقبض معزولة





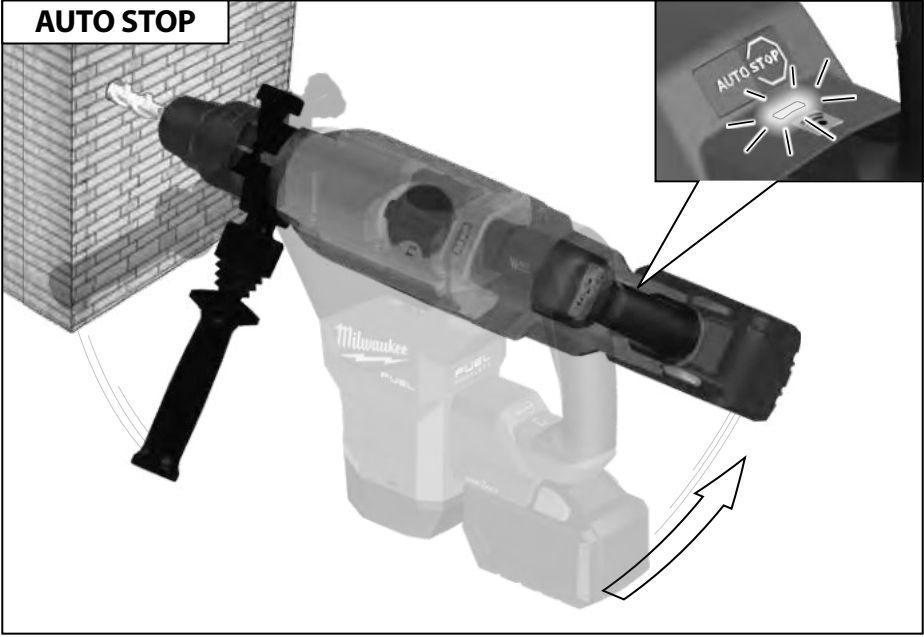


**START  
STOP**



**AUTO STOP**

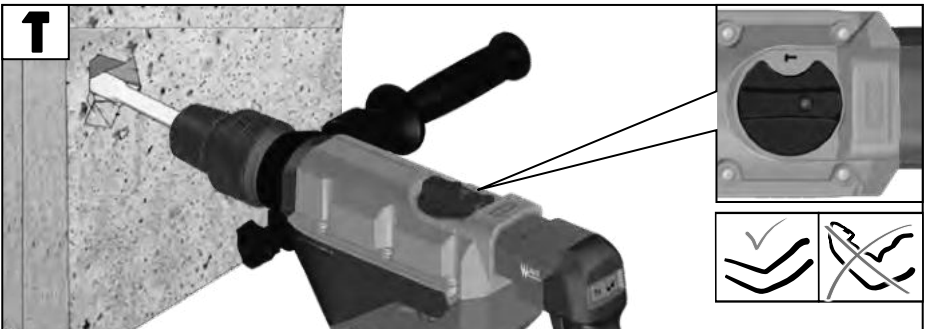
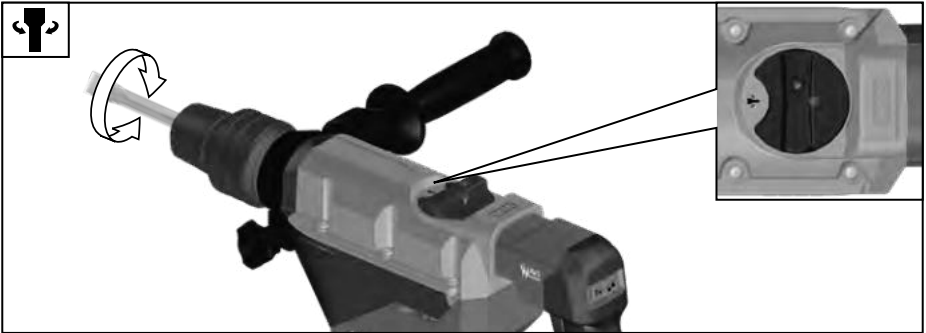
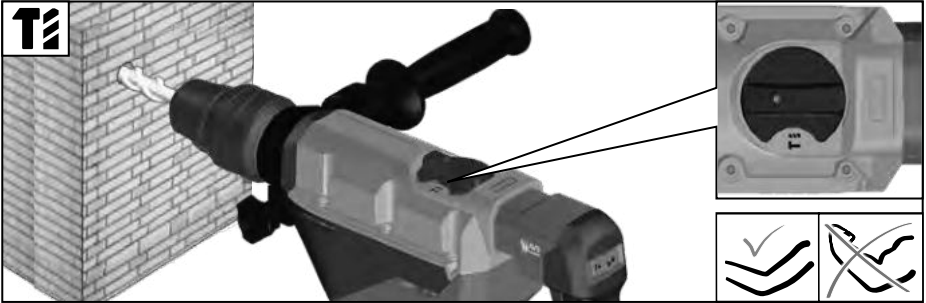
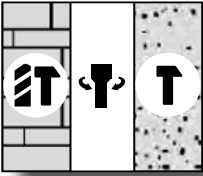
**START  
STOP**

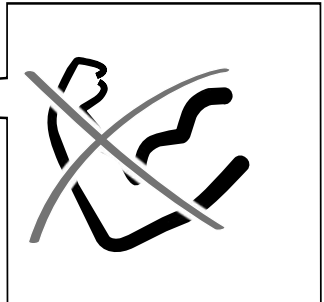
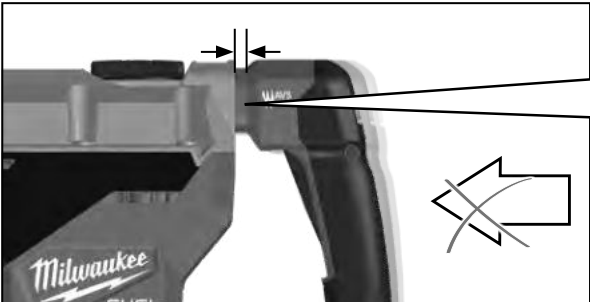
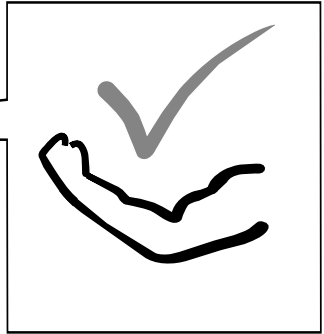
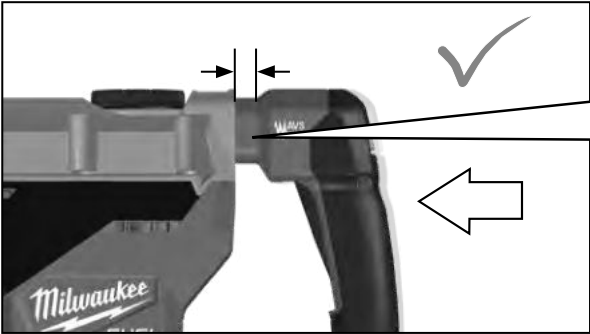
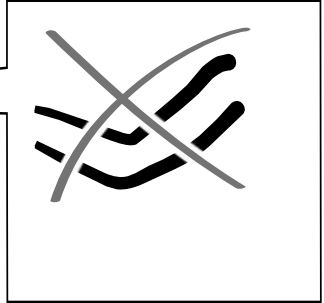
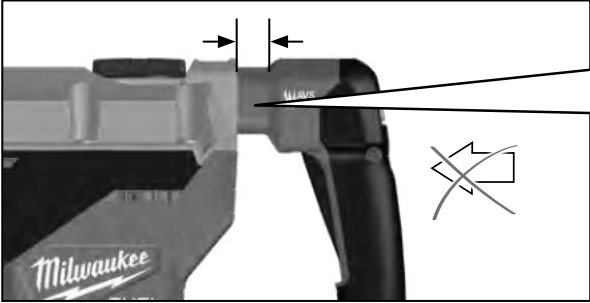


**START  
STOP**

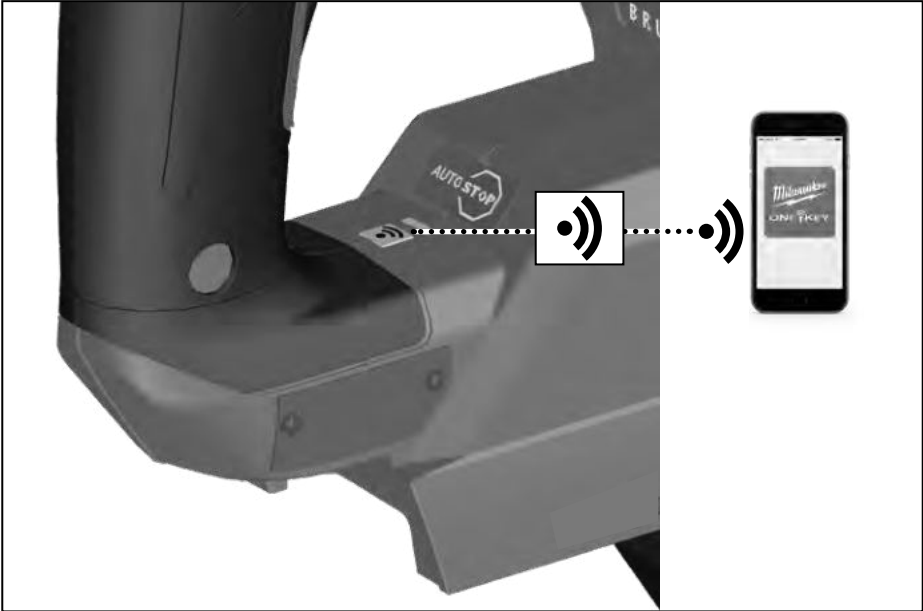
**≡**

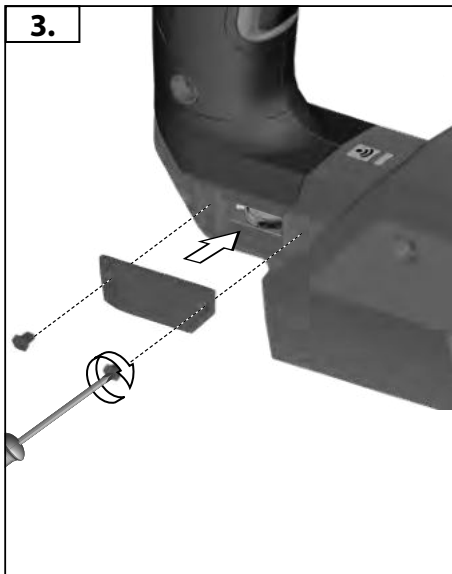
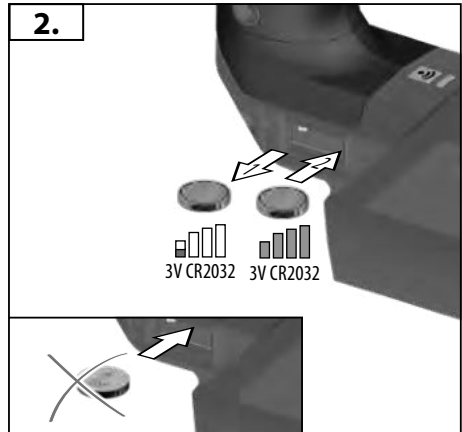
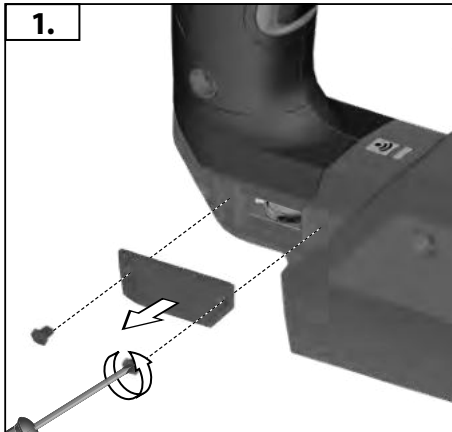
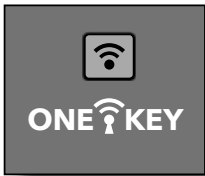






AVS





TECHNICAL DATA	M18 FHM
<b>Cordless Rotary Hammer</b>	
Production code	4696 96 02... ... 000001-999999
Frequency band	2402-2480 MHz
Radio-frequency power	1,8 dBm
Battery voltage	18 V
No-load speed	380 min <sup>-1</sup>
Rate of percussion under load max.	2900 min <sup>-1</sup>
Impact energy per stroke according to EPTA-Procedure 05/2009	11 J
Chuck neck diameter	66 mm
Drilling capacity in concrete	45 mm (SDS-max)
Tunnel bit in concrete, bricks and limestone	65 mm (SDS-max)
Core cutter in concrete, bricks and limestone	150 mm (SDS-max)
Weight according EPTA-Procedure 01/2014 (Li-Ion 5,0 Ah ... 12,0 Ah)	9,7 ... 10,4 kg
Recommended Ambient Operating Temperature	-18 °C ... +50 °C
Recommended battery types	M18B5 – M18HB12
Recommended charger	M12-18...
<b>Noise information</b>	
Measured values determined according to EN 60745. Typically, the A-weighted noise levels of the tool are:	
Sound pressure level (Uncertainty K=3dB(A))	96,5 dB (A)
Sound power level (Uncertainty K=3dB(A))	107,5 dB (A)
<b>Wear ear protectors!</b>	
<b>Vibration information</b>	
Vibration total values (triaxial vector sum) determined according to EN 60745	
Hammer-drilling into concrete	
Vibration emission value $a_{h,HD}$	9,4 m/s <sup>2</sup>
Uncertainty K=	1,5 m/s <sup>2</sup>
Chiselling:	
Vibration emission value $a_{h,Cheq}$	9,4 m/s <sup>2</sup>
Uncertainty K=	1,5 m/s <sup>2</sup>



GB

### WARNING!

The vibration emission level given in this information sheet has been measured in accordance with a standardised test given in EN 60745 and may be used to compare one tool with another. It may be used for a preliminary assessment of exposure.

The declared vibration emission level represents the main applications of the tool. However if the tool is used for different applications, with different accessories or poorly maintained, the vibration emission may differ. This may significantly increase the exposure level over the total working period.

An estimation of the level of exposure to vibration should also take into account the times when the tool is switched off or when it is running but not actually doing the job. This may significantly reduce the exposure level over the total working period.

Identify additional safety measures to protect the operator from the effects of vibration such as: maintain the tool and the accessories, keep the hands warm, organisation of work patterns.

### **WARNING! Read all safety warnings and all instructions.**

Failure to follow the warnings and instructions may result in electric shock, fire and/or serious injury.

**Save all warnings and instructions for future reference.**

### **HAMMER SAFETY WARNINGS**

**Wear ear protectors.** Exposure to noise can cause hearing loss.

**Use auxiliary handle(s), if supplied with the tool.** Loss of control can cause personal injury.

**Hold the power tool by insulated gripping surfaces, when performing an operation where the cutting accessory may contact hidden wiring.** Cutting accessory contacting a "live" wire may make exposed metal parts of the power tool "live" and could give the operator an electric shock.

### **Additional Safety and Working Instructions**

Use protective equipment. Always wear safety glasses when working with the machine. The use of protective clothing is recommended, such as dust mask, protective gloves, sturdy non-slip footwear, helmet and ear defenders.

The dust produced when using this tool may be harmful to health. Do not inhale the dust. Use a dust absorption system and wear a suitable dust protection mask. Remove deposited dust thoroughly, e.g. with a vacuum cleaner.



Do not machine any materials that present a danger to health (e.g. asbestos).

When working in walls ceiling, or floor, take care to avoid electric cables and gas or waterpipes.

Switch the device off immediately if the insertion tool stalls! Do not switch the device on again while the insertion tool is stalled, as doing so could trigger a sudden recoil with a high reactive force. Determine why the insertion tool stalled and rectify this, paying heed to the safety instructions.

Possible causes can be:

- it is tilted in the workpiece to be machined
- breakage of the material to be used
- the power tool is overloaded

Do not reach into the machine while it is running.

The insertion tool may become hot during use.

**WARNING!** Danger of burns

- when changing tools
- when setting the device down

Chips and splinters must not be removed while the machine is running.

Clamp your workpiece with a clamping device. Unclamped workpieces can cause severe injury and damage.

Remove the battery pack before starting any work on the appliance.

#### **WARNING**



This device contains a button-type/coin cell lithium battery. A new or used battery can cause severe internal burns and lead to death in as little as 2 hours if swallowed or if it enters the body. Always secure the cover on the battery compartment. If it does not close securely, stop the device, remove the battery and keep it out of reach of children. If you believe that someone has swallowed the battery or that it has otherwise entered the body, seek immediate medical attention.

#### **OPERATION**

##### **Cold Starting**

If this tool is stored for a long period of time or at cold temperatures, it may not hammer initially because the lubrication has become stiff.

To warm up the tool

1. Insert and lock a bit or chisel into the tool.
2. Pull the trigger and apply force to the bit or chisel against a concrete or wood surface for a few seconds. Release the trigger.
3. Repeat until the tool starts hammering. The colder the tool is, the longer it will take to warm up.

#### **ONE-KEY™**

To learn more about the ONE-KEY functionality of this tool, please refer to the Quick Start guide included with this product or go to <http://www.milwaukee tool.com/one-key>

To download the ONE-KEY app, visit the App Store or Google Play from your smart device. We considered the result to be within our minimum acceptable performance level according to EN 301489-1/ EN 301489-17. And we will give the operation guidance to the customer in user manual.

#### **BATTERIES**

Battery packs which have not been used for some time should be recharged before use.

Temperatures in excess of 50°C (122°F) reduce the performance of the battery pack. Avoid extended exposure to heat or sunshine (risk of overheating).

but

For an optimum life-time, the battery packs have to be fully charged, after use.

To obtain the longest possible battery life remove the battery pack from the charger once it is fully charged. For battery pack storage longer than 30 days: Store the battery pack where the temperature is below 27°C and away from moisture. Store the battery packs in a 30% - 50% charged condition. Every six months of storage, charge the pack as normal.

Do not dispose of used battery packs in the household refuse or by burning them. Milwaukee Distributors offer to retrieve old batteries to protect our environment.

Do not store the battery pack together with metal objects (short circuit risk).

Use only System M18 chargers for charging System M18 battery packs. Do not use battery packs from other systems.

Never break open battery packs and chargers and store only in dry rooms. Keep dry at all times.

**WARNING!** To reduce the risk of fire, personal injury, and product damage due to a short circuit, never immerse your tool, battery pack or charger in fluid or allow a fluid to flow inside them. Corrosive or conductive fluids, such as seawater, certain industrial chemicals, and bleach or bleach containing products, etc., Can cause a short circuit.

Battery acid may leak from damaged batteries under extreme load or extreme temperatures. In case of contact with battery acid wash it off immediately with soap and water. In case of eye contact rinse thoroughly for at least 10 minutes and immediately seek medical attention.

No metal parts must be allowed to enter the battery section of the charger (short circuit risk).

#### **BATTERY PACK PROTECTION**

In extremely high torque, binding, stalling and short circuit situations that cause high current draw, the tool will stop for about 2 seconds and then the tool will turn OFF. To reset, remove the battery pack from the tool and replace it.

Under extreme circumstances, the internal temperature of the battery pack could raise too much. If this happens, the fuel gauge will flash until the battery pack cooled down. After the lights go off, the work may continue. Place the battery on the charger to charge and reset it.

#### **TRANSPORTING LITHIUM BATTERIES**

Lithium-ion batteries are subject to the Dangerous Goods Legislation requirements.

Transportation of those batteries has to be done in accordance with local, national and international provisions and regulations.

The user can transport the batteries by road without further requirements.

Commercial transport of Lithium-Ion batteries by third parties is subject to Dangerous Goods regulations. Transport preparation and transport are exclusively to be carried out by appropriately trained persons and the process has to be accompanied by corresponding experts.

When transporting batteries:

Ensure that battery contact terminals are protected and insulated to prevent short circuit.

Ensure that battery pack is secured against movement within packaging.

Do not transport batteries that are cracked or leak.

Check with forwarding company for further advice



## SPECIFIED CONDITIONS OF USE

The pneumatic hammer can be universally used for hammer drilling and chiselling in stone and concrete.

## MAINTENANCE

Remove the battery pack before starting any work on the appliance. The ventilation slots of the machine must be kept clear at all times. Use only Milwaukee accessories and Milwaukee spare parts. Should components need to be replaced which have not been described, please contact one of our Milwaukee service agents (see our list of guarantee/service addresses).

If needed, an exploded view of the tool can be ordered. Please state the Article No. as well as the machine type printed on the label and order the drawing at your local service agents or directly at: Techtronic Industries GmbH, Max-Eyth-Straße 10, 71364 Winnenden, Germany.

## EC-DECLARATION OF CONFORMITY

We declare under our sole responsibility that the product described under "Technical Data" fulfills all the relevant provisions of the directives

2011/65/EU (RoHS)

2006/42/EC

2014/53/EU

and the following harmonized standards have been used.

EN 60745-1:2009 + A11:2010

EN 60745-2-6:2010

EN 55014-1:2017+A11:2020

EN 55014-2:2015

EN IEC 63000:2018

EN 301 489-1 V2.2.3

EN 301 489-17 V3.1.1

EN 300 328 V2.2.2

EN 62479:2010



Winnenden, 2020-11-30

Alexander Krug / Managing Director  
Authorized to compile the technical file

Techtronic Industries GmbH  
Max-Eyth-Straße 10, 71364 Winnenden, Germany

## GB-DECLARATION OF CONFORMITY

We declare as the manufacturer under our sole responsibility that the product described under „Technical Data“ fulfills all the relevant provisions of the following Regulations

S.I. 2012/3032 (as amended), S.I. 2008/1597 (as amended),

S.I. 2017/1206 (as amended) and that the following designated standards have been used:

BS EN 60745-1:2009 + A11:2010

BS EN 60745-2-6:2010

BS EN 55014-1:2017+A11:2020

BS EN 55014-2:2015

BS EN IEC 63000:2018

EN 301 489-1 V2.2.3

EN 301 489-17 V3.1.1

EN 300 328 V2.2.2

BS EN 62479:2010

Winnenden, 2020-11-30

Alexander Krug / Managing Director  
Authorized to compile the technical file

Techtronic Industries GmbH  
Max-Eyth-Straße 10, 71364 Winnenden, Germany

## SYMBOLS



CAUTION! WARNING! DANGER!



Remove the battery pack before starting any work on the appliance.



Please read the instructions carefully before starting the machine.



Accessory - Not included in standard equipment, available as an accessory.



ANTI Vibration System



Do not use force.



Always wear goggles when using the machine.



Wear ear protectors.



This device contains a button-type/coin cell lithium battery.



Do not dispose electric tools, batteries/rechargeable batteries together with household waste material. Electric tools and batteries that have reached the end of their life must be collected separately and returned to an environmentally compatible recycling facility. Check with your local authority or retailer for recycling advice and collection point.

$n_0$

No-load speed

V

Voltage



Direct Current



European Conformity Mark



British Conformity Mark



Ukraine Conformity Mark



EurAsian Conformity Mark

English

TECHNISCHE DATEN	M18 FHM
<b>Akku-Bohrhammer</b>	
Produktionsnummer	4696 96 02... ... 000001-999999
Frequenzband	2402-2480 MHz
Sendeleistung	1,8 dBm
Spannung Wechselakku	18 V
Leerlaufdrehzahl	380 min <sup>-1</sup>
Lastschlagzahl max.	2900 min <sup>-1</sup>
Einzelschlagstärke entsprechend EPTA-Procedure 05/2009	11 J
Spannhals-Durchmesser	66 mm
Bohr-Durchmesser in Beton	45 mm (SDS-max)
Tunnelbohrer in Beton, Ziegel und Kalksandstein	65 mm (SDS-max)
Hohlbohrkrone in Beton, Ziegel und Kalksandstein	150 mm (SDS-max)
Gewicht nach EPTA-Prozedur 01/2014 (Li-Ion 5,0 Ah ... 12,0 Ah)	9,7 ... 10,4 kg
Empfohlene Umgebungstemperatur für den Betrieb	-18 °C ... +50 °C
Empfohlene Akku Typen	M18B5 – M18HB12
Empfohlene Ladegeräte	M12-18...
<b>Geräuschinformation</b>	
Messwerte ermittelt entsprechend EN 60745. Der A-bewertete Geräuschpegel des Gerätes beträgt typischerweise:	
Schalldruckpegel (Unsicherheit K=3dB(A))	96,5 dB (A)
Schallleistungspegel (Unsicherheit K=3dB(A))	107,5 dB (A)
<b>Gehörschutz tragen!</b>	
<b>Vibrationsinformationen</b>	
Schwingungsgesamtwerte (Vektorsumme dreier Richtungen) ermittelt entsprechend EN 60745.	
Bohrhämern in Beton	
Schwingungsemissionswert a <sub>h, HD</sub>	9,4 m/s <sup>2</sup>
Unsicherheit K=	1,5 m/s <sup>2</sup>
Meißeln:	
Schwingungsemissionswert a <sub>h, Cheq</sub>	9,4 m/s <sup>2</sup>
Unsicherheit K=	1,5 m/s <sup>2</sup>



## WARNUNG!

Der in diesen Anweisungen angegebene Schwingungspegel ist entsprechend einem in EN 60745 genormten Messverfahren gemessen worden und kann für den Vergleich von Elektrowerkzeugen miteinander verwendet werden. Er eignet sich auch für eine vorläufige Einschätzung der Schwingungsbelastung.

Der angegebene Schwingungspegel repräsentiert die hauptsächlichen Anwendungen des Elektrowerkzeugs. Wenn allerdings das Elektrowerkzeug für andere Anwendungen, mit abweichenden Einsatzwerkzeugen oder ungenügender Wartung eingesetzt wird, kann der Schwingungspegel abweichen. Dies kann die Schwingungsbelastung über den gesamten Arbeitszeitraum deutlich erhöhen.

Für eine genaue Abschätzung der Schwingungsbelastung sollten auch die Zeiten berücksichtigt werden, in denen das Gerät abgeschaltet ist oder zwar läuft, aber nicht tatsächlich im Einsatz ist. Dies kann die Schwingungsbelastung über den gesamten Arbeitszeitraum deutlich reduzieren.

Legen Sie zusätzliche Sicherheitsmaßnahmen zum Schutz des Bedieners vor der Wirkung von Schwingungen fest wie zum Beispiel: Wartung von Elektrowerkzeug und Einsatzwerkzeugen, Warmhalten der Hände, Organisation der Arbeitsabläufe.

**⚠️ WARNUNG! Lesen Sie alle Sicherheitshinweise und Anweisungen.** Versäumnisse bei der Einhaltung der Sicherheitshinweise und Anweisungen können elektrischen Schlag, Brand und/oder schwere Verletzungen verursachen.

**Bewahren Sie alle Sicherheitshinweise und Anweisungen für die Zukunft auf.**

## ⚠️ SICHERHEITSHINWEISE FÜR HÄMMER

**Tragen Sie Gehörschutz.** Die Einwirkung von Lärm kann Gehörverlust bewirken.

**Benutzen Sie mit dem Gerät gelieferte Zusatzhandgriffe.** Der Verlust der Kontrolle kann zu Verletzungen führen.

**Halten Sie das Gerät an den isolierten Griffflächen, wenn Sie Arbeiten ausführen, bei denen das Einsatzwerkzeug verborgene Stromleitungen treffen kann.** Der Kontakt mit einer spannungsführenden Leitung kann auch metallene Geräteteile unter Spannung setzen und zu einem elektrischen Schlag führen.

## Weitere Sicherheits- und Arbeitshinweise

Schutzausrüstung verwenden. Beim Arbeiten mit der Maschine stets Schutzbrille tragen. Schutzkleidung wie Staubschutzmaske, Schutzhandschuhe, festes und rutschsicheres Schuhwerk, Helm und Gehörschutz werden empfohlen.

Beim Arbeiten entstehender Staub ist oft gesundheitsschädlich und sollte nicht in den Körper gelangen. Staubabsaugung verwenden und zusätzlich geeignete Staubschutzmaske tragen. Abgelagerten Staub gründlich entfernen, z.B. Aufsaugen.

Es dürfen keine Materialien bearbeitet werden, von denen eine Gesundheitsgefährdung ausgeht (z.B. Asbest).

Beim Arbeiten in Wand, Decke oder Fußboden auf elektrische Kabel, Gas- und Wasserleitungen achten.

Beim Blockieren des Einsatzwerkzeuges bitte das Gerät sofort ausschalten! Schalten Sie das Gerät nicht wieder ein, solange das Einsatzwerkzeug blockiert ist; hierbei könnte ein Rückschlag mit hohem Reaktionsmoment entstehen. Ermitteln und beheben Sie die Ursache für die Blockierung des Einsatzwerkzeuges unter Berücksichtigung der Sicherheitshinweise.

Mögliche Ursachen dafür können sein:

- Verkanten im zu bearbeitenden Werkstück
- Durchbrechen des zu bearbeitenden Materials
- Überlasten des Elektrowerkzeuges

Greifen Sie nicht in die laufende Maschine.

Das Einsatzwerkzeug kann während der Anwendung heiß werden.

**WARNUNG!** Verbrennungsgefahr

- bei Werkzeugwechsel
- bei Ablegen des Gerätes

Späne oder Splitter dürfen bei laufender Maschine nicht entfernt werden.

Sichern Sie Ihr Werkstück mit einer Spannvorrichtung. Nicht gesicherte Werkstücke können schwere Verletzungen und Beschädigungen verursachen.

Vor allen Arbeiten am Gerät den Wechselakku herausnehmen.

#### **WARNUNG**

 Dieses Gerät enthält eine Lithium Knopf-/Münzzellenbatterie. Eine neue oder gebrauchte Batterie kann schwere interne Verbrennungen verursachen und zum Tod in weniger als 2 Stunden führen, wenn sie verschluckt oder in den Körper gelangt. Sichern Sie immer den Batteriefachdeckel. Wenn er nicht sicher schließt, stoppen Sie das Gerät, entfernen Sie die Batterie und halten Sie sie von Kindern fern. Wenn Sie glauben, dass Batterien verschluckt oder in den Körper eingedrungen sind, suchen Sie sofortige ärztliche Hilfe auf.

#### **BEDIENUNG**

##### **Kaltstart**

Wenn dieses Werkzeug über einen längeren Zeitraum oder bei kalten Temperaturen aufbewahrt wurde, kann es sein, dass es nicht sofort die Hammerfunktion ausführt, da die Schmierung steif geworden ist. Aufwärmen des Geräts

1. Setzen Sie ein Bit oder einen Meißel in das Werkzeug ein und betätigen Sie die Verriegelung.
2. Drücken Sie den Ein-Aus-Schalter und setzen Sie das Bit oder den Meißel einige Sekunden mit Druck auf einer Beton- oder Holzoberfläche an. Lassen Sie dann den Ein-Aus-Schalter wieder los.
3. Wiederholen Sie diesen Vorgang, bis die Hammerfunktion des Geräts startet. Je kälter das Werkzeug ist, desto länger dauert es, bis es aufgewärmt ist.

#### **ONE-KEY™**

Um mehr über die ONE-KEY Funktionalität dieses Werkzeugs zu erfahren, lesen Sie die beiliegende Schnellstartanleitung oder besuchen Sie uns im Internet unter <http://www.milwaukeetool.com/one-key> Sie können die ONE-KEY App über den App Store oder Google Play auf Ihr Smartphone herunterladen. Das Prüfergebnis erfüllt unsere Mindestanforderungen nach EN 301489-1 / EN 301489-17.Wir

hängigen dem Benutzer die Betriebsanweisungen in Form der Bedienungsanleitung aus.

#### **AKKUS**

Längere Zeit nicht benutzte Wechselakkus vor Gebrauch nachladen. Eine Temperatur über 50°C vermindert die Leistung des Wechselakkus. Längere Erwärmung durch Sonne oder Heizung vermeiden.

Die Anschlusskontakte an Ladegerät und Wechselakku sauber halten. Für eine optimale Lebensdauer müssen nach dem Gebrauch die Akkus voll geladen werden.

Für eine möglichst lange Lebensdauer sollten die Akkus nach dem Aufladen aus dem Ladegerät entfernt werden. Bei Lagerung des Akkus länger als 30 Tage: Akku bei ca. 27°C und trocken lagern. Akku bei ca. 30%-50% des Ladezustandes lagern. Akku alle 6 Monate erneut aufladen.

Verbrauchte Wechselakkus nicht ins Feuer oder in den Hausmüll werfen. Milwaukee bietet eine umweltgerechte Alt-Wechselakku-Entsorgung an; bitte fragen Sie Ihren Fachhändler.

Wechselakkus nicht zusammen mit Metallgegenständen aufbewahren (Kurzschlussgefahr).

Wechselakkus des Systems M18 nur mit Ladegeräten des Systems M18 laden. Keine Akkus aus anderen Systemen laden.

Wechselakkus und Ladegeräte nicht öffnen und nur in trockenen Räumen lagern. Vor Nässe schützen.

**WARNUNG!** Um die durch einen Kurzschluss verursachte Gefahr eines Brandes, von Verletzungen oder Produktbeschädigungen zu vermeiden, tauchen Sie das Werkzeug, den Wechselakku oder das Ladegerät nicht in Flüssigkeiten ein und sorgen Sie dafür, dass keine Flüssigkeiten in die Geräte und Akkus eindringen. Korrodierende oder leitfähige Flüssigkeiten, wie Salzwasser, bestimmte Chemikalien und Bleichmittel oder Produkte, die Bleichmittel enthalten, können einen Kurzschluss verursachen.

Unter extremer Belastung oder extremer Temperatur kann aus beschädigten Wechselakkus Batterieflüssigkeit auslaufen. Bei Berührung mit Batterieflüssigkeit sofort mit Wasser und Seife abwaschen. Bei Augenkontakt sofort mindestens 10 Minuten gründlich spülen und unverzüglich einen Arzt aufsuchen.

In den Wechselakku-Einschubschacht der Ladegeräte dürfen keine Metallteile gelangen (Kurzschlussgefahr).

#### **AKKUÜBERLASTSCHUTZ**

Bei Überlastung des Akkus durch sehr hohen Stromverbrauch, z.B. extrem hohe Drehmomente, Verklemmen des Einsatzwerkzeuges, plötzlichem Stopp oder Kurzschluss, stoppt das Elektrowerkzeug 2 Sekunden lang und schaltet sich selbsttätig ab. Zum Wiedereinschalten, die Batterie vom Gerät trennen und erneut einsetzen.

Unter extremen Belastungen erhitzt sich der Akku zu stark. In diesem Fall blinken alle Lampen der Ladeanzeige bis der Akku abgekühlt ist. Nach Erlöschen der Ladeanzeige kann weitergearbeitet werden. Den Akku dann in das Ladegerät stecken um ihn wieder aufzuladen und zu aktivieren.

#### **TRANSPORT VON LITHIUM-IONEN-AKKUS**

Lithium-Ionen-Akkus fallen unter die gesetzlichen Bestimmungen zum Gefahrguttransport.

Der Transport dieser Akkus muss unter Einhaltung der lokalen, nationalen und internationalen Vorschriften und Bestimmungen erfolgen. Verbraucher dürfen diese Akkus ohne Weiteres auf der Straße transportieren.

Der kommerzielle Transport von Lithium-Ionen-Akkus durch Speditionsunternehmen unterliegt den Bestimmungen des Gefahrguttransports. Die Versandvorbereitungen und der Transport dürfen ausschließlich von entsprechend geschulten Personen durchgeführt werden. Der gesamte Prozess muss fachmännisch begleitet werden. Folgende Punkte sind beim Transport von Akkus zu beachten:

Stellen Sie sicher, dass die Kontakte geschützt und isoliert sind, um Kurzschlüsse zu vermeiden.

Achten Sie darauf, dass der Akkupack innerhalb der Verpackung nicht verrutschen kann.

Beschädigte oder auslaufende Akkus dürfen nicht transportiert werden.

Wenden Sie sich für weitere Hinweise an Ihr Speditionsunternehmen.

#### BESTIMMUNGSGEMÄSSE VERWENDUNG

Der Bohrerhammer ist universell einsetzbar zum Hammerbohren und Meißeln in Gestein und Beton.

#### WARTUNG

Vor allen Arbeiten am Gerät den Wechselakku herausnehmen. Stets die Lüftungsschlitze der Maschine sauber halten.

Nur Milwaukee Zubehör und Milwaukee Ersatzteile verwenden. Bauteile, deren Austausch nicht beschrieben wurde, bei einer Milwaukee Kundendienststelle auswechseln lassen (Broschüre Garantie/Kundendienstadressen beachten).

Bei Bedarf kann eine Explosionszeichnung des Gerätes unter Angabe der Maschinen Type und der sechsstelligen Nummer auf dem Leistungsschild bei Ihrer Kundendienststelle oder direkt bei Techtronic Industries GmbH, Max-Eyth-Straße 10, 71364 Winnenden, Germany angefordert werden.

#### CE-KONFORMITÄTSERKLÄRUNG

Wir erklären in alleiniger Verantwortung, dass das unter „Technische Daten“ beschriebene Produkt mit allen relevanten Vorschriften der Richtlinien

2011/65/EU (RoHS)

2006/42/EG

2014/53/EU

und den folgenden harmonisierten normativen Dokumenten übereinstimmt

EN 60745-1:2009 + A11:2010

EN 60745-2-6:2010

EN 55014-1:2017+A11:2020

EN 55014-2:2015

EN IEC 63000:2018

EN 301 489-1 V2.2.3

EN 301 489-17 V3.1.1

EN 300 328 V2.2.2

EN 62479:2010



Winnenden, 2020-11-30

Alexander Krug / Managing Director

Bevollmächtigt die technischen Unterlagen zusammenzustellen.

Techtronic Industries GmbH

Max-Eyth-Straße 10, 71364 Winnenden, Germany

#### SYMBOLS



ACHTUNG! WARNUNG! GEFAHR!



Vor allen Arbeiten am Gerät den Wechselakku herausnehmen.



Bitte lesen Sie die Gebrauchsanweisung vor Inbetriebnahme sorgfältig durch.



Zubehör - Im Lieferumfang nicht enthalten, empfohlene Ergänzung aus dem Zubehörprogramm.



ANTI Vibrations System



Keine Kraft anwenden.



Beim Arbeiten mit der Maschine stets Schutzbrille tragen.



Tragen Sie Gehörschutz.



Dieses Gerät enthält eine Lithium Knopf-/Münzzellenbatterie.



Elektrogeräte, Batterien/Akkus dürfen nicht zusammen mit dem Hausmüll entsorgt werden. Elektrische Geräte und Akkus sind getrennt zu sammeln und zur umweltgerechten Entsorgung bei einem Verwertungsbetrieb abzugeben. Erkundigen Sie sich bei den örtlichen Behörden oder bei Ihrem Fachhändler nach Recyclinghöfen und Sammelstellen.

$n_0$

Leerlaufdrehzahl

V

Spannung



Gleichstrom



Europäisches Konformitätszeichen



Britisches Konformitätszeichen



Ukrainisches Konformitätszeichen

001



Euroasiatisches Konformitätszeichen



D

Deutsch

CARACTÉRISTIQUES TECHNIQUES	M18 FHM
<b>Perforateur sans fil</b>	
Numéro de série	4696 96 02... ... 000001-999999
Bande de fréquence	2402-2480 MHz
Puissance de radiofréquence	1,8 dBm
Tension accu interchangeable	18 V
Vitesse de rotation à vide	380 min <sup>-1</sup>
Perçage à percussionen charge max.	2900 min <sup>-1</sup>
Puissance de frappe individuelle suivant EPTA-Procédure 05/2009	11 J
∅ du collier de serrage	66 mm
∅ de perçage dans le béton	45 mm (SDS-max)
Foret dans le béton, la brique et la brique silico-calcaire	65 mm (SDS-max)
Couronne-trépans dans le béton, la brique et la brique silico-calcaire	150 mm (SDS-max)
Poids suivant EPTA-Procédure 01/2014 (Li-Ion 5,0 Ah ... 12,0 Ah))	9,7 ... 10,4 kg
Température ambiante conseillée pour le fonctionnement	-18 °C ... +50 °C
Batteries conseillées	M18B5 – M18HB12
Chargeurs conseillés	M12-18...
<b>Informations sur le bruit</b>	
Valeurs de mesure obtenues conformément à la EN 60745. Les mesures réelles (des niveaux acoustiques de l'appareil) sont :	
Niveau de pression acoustique (Incertitude K=3dB(A))	96,5 dB (A)
Niveau d'intensité acoustique (Incertitude K=3dB(A))	107,5 dB (A)
<b>Toujours porter une protection acoustique!</b>	
<b>Informations sur les vibrations</b>	
Valeurs totales des vibrations (somme vectorielle de trois sens) établies conformément à EN 60745.	
Perçage à percussion le béton	
Valeur d'émission vibratoire a <sub>h,HD</sub>	9,4 m/s <sup>2</sup>
Incertitude K=	1,5 m/s <sup>2</sup>
Burinage:	
Valeur d'émission vibratoire a <sub>h,Cheq</sub>	9,4 m/s <sup>2</sup>
Incertitude K=	1,5 m/s <sup>2</sup>



## AVERTISSEMENT!

Le niveau vibratoire indiqué dans ces instructions a été mesuré selon un procédé de mesure normalisé dans la norme EN 60745 et peut être utilisé pour comparer des outils électriques entre eux. Il convient aussi à une estimation provisoire de la sollicitation par les vibrations.

Le niveau vibratoire indiqué représente les applications principales de l'outil électrique. Toutefois, si l'outil électrique est utilisé pour d'autres applications, avec des outils rapportés qui diffèrent ou une maintenance insuffisante, il se peut que le niveau vibratoire diverge. Cela peut augmenter nettement la sollicitation par les vibrations sur tout l'intervalle de temps du travail.

Pour une estimation précise de la sollicitation par les vibrations, on devrait également tenir compte des temps pendant lesquels l'appareil n'est pas en marche ou tourne sans être réellement en service. Cela peut réduire nettement la sollicitation par les vibrations sur tout l'intervalle de temps du travail.

Définissez des mesures de sécurité supplémentaires pour protéger l'utilisateur contre l'influence des vibrations, comme par exemple : la maintenance de l'outil électrique et des outils rapportés, le maintien au chaud des mains, l'organisation des déroulements de travail.

**⚠ AVERTISSEMENT! Lisez toutes les consignes de sécurité et les instructions.** Le non-respect des avertissements et instructions indiqués ci après peut entraîner un choc électrique, un incendie et/ou de graves blessures sur les personnes.

**Bien garder tous les avertissements et instructions.**

### ⚠ CONSIGNES DE SÉCURITÉ POUR MARTEAU ROTATIF

**Portez une protection acoustique.** L'exposition au bruit pourrait provoquer une diminution de l'ouïe.

**Utilisez les poignées supplémentaires livrées en même temps que l'appareil.** La perte de contrôle peut mener à des blessures.

**Maintenez l'appareil par les surfaces de poignée isolées lorsque vous exécutez des travaux pendant lesquels l'outil de coupe peut toucher des lignes électriques dissimulées.** Le contact de l'outil de coupe avec un câble qui conduit la tension peut mettre les pièces métalliques de l'appareil sous tension et mener à une décharge électrique.

### Avis complémentaires de sécurité et de travail

Utiliser l'équipement de protection. Toujours porter des lunettes de protection pendant le travail avec la machine. Il est recommandé de porter des articles de protection, tels que masque antipoussière, gants de protection, chaussures tenant bien aux pieds et antidérapantes, casque et protection acoustique.

Les poussières dégagées lors du travail sont souvent nocives et ne devraient pas pénétrer dans le corps. Utiliser un dispositif d'aspiration de poussières et porter en plus un masque de protection approprié. Éliminer soigneusement les dépôts de poussières, p. ex. en les aspirant au moyen d'un système d'aspiration de copeaux.

Il est interdit de travailler des matériaux dangereux pour la santé (par ex. amiante).

Lors du perçage dans les murs, les plafonds ou les planchers, toujours faire attention aux câbles électriques et aux conduites de gaz et d'eau. Désactiver immédiatement le dispositif en cas de blocage ! Ne pas réactiver le dispositif avec l'outil bloqué; il y a le risque de provoquer un contrecoup avec moment de réaction élevé. Établir et éliminer la cause du blocage de l'outil en prêtant attention aux consignes de sécurité.

Les causes possibles sont :

- Encastrement dans la pièce à travailler.
- Le dispositif a traversé le matériau à travailler en le cassant.
- Le dispositif électrique a été surchargé.

Ne pas approcher les mains de la partie en mouvement de la machine.

Durant l'utilisation, l'outil peut se surchauffer.

**AVERTISSEMENT!** Danger de brûlures

- durant le remplacement de l'outil
- durant la dépose de l'outil

Ne jamais enlever les copeaux ni les éclats lorsque la machine est en marche.

Fixer fermement la pièce en exécution à l'aide d'un dispositif de serrage. Des pièces en exécution non fermement fixées peuvent provoquer des dommages et des lésions graves.

Avant tous travaux sur l'appareil retirer l'accu interchangeable.

#### AVERTISSEMENT



Cet appareil contient une pile bouton lithium / batterie au lithium. Une batterie neuve ou usagée peut causer de graves brûlures internes et entraîner la mort en moins de 2 heures en cas d'ingestion ou si elle pénètre dans le corps. Fixez toujours le couvercle sur le compartiment de la batterie. S'il ne se ferme pas hermétiquement, arrêtez l'appareil, retirez la batterie et gardez-la hors de la portée des enfants. Si vous pensez que quelqu'un a ingéré la batterie ou que la batterie a pénétré dans le corps, consultez immédiatement un médecin.

#### FONCTIONNEMENT

##### Démarrage à froid

Si cet outil est stocké pendant une longue période ou à des températures froides, il peut ne pas marteler au départ parce que la lubrification est devenue rigide.

Pour réchauffer l'outil

1. Insérer et verrouiller un foret ou un burin dans l'outil.
2. Appuyer sur l'interrupteur marche-arrêt et appliquer une force sur la mèche ou burin contre une surface en béton ou en bois pendant quelques secondes. Relâcher l'interrupteur marche-arrêt.
3. Répéter l'opération jusqu'à ce que l'outil commence à marteler. Plus l'outil est froid, plus il faudra de temps pour le réchauffer.

#### ONE-KEY™

Pour en savoir plus sur la fonctionnalité ONE-KEY de cet outil, lisez les instructions rapides ci-jointes ou rendez-nous visite sur Internet sur <http://www.milwaukee.com/one-key>.

Vous pouvez télécharger l'appli ONE-KEY sur votre smartphone via l'App Store ou Google Play. Le résultat d'essai répond à nos exigences min. suivant EN 301489-1 / EN 301489-17. De plus, nous donnerons le guide de fonctionnement au client dans le manuel de l'utilisateur.

#### ACCUS

Recharger les accus avant utilisation après une longue période de non utilisation.

Une température supérieure à 50°C amoindrit la capacité des accus. Éviter les expositions prolongées au soleil ou au chauffage.

Tenir propres les contacts des accus et des chargeurs.

Pour une durée de vie optimale, les accus doivent être chargés à fond après l'utilisation.

Pour une plus longue durée de vie, enlever les batteries du chargeur de batterie quand celles-ci seront chargées. En cas d'entreposage de la batterie pour plus de 30 jours: Entreposer la batterie à 27°C environ dans un endroit sec. Entreposer la batterie avec une charge d'environ 30% - 50%. Recharger la batterie tous les 6 mois.

Ne pas jeter les accus interchangeables usés au feu ou avec les déchets ménagers. Milwaukee offre un système d'évacuation écologique des accus usés.

Ne pas conserver les accus interchangeables avec des objets métalliques (risque de court-circuit)

Ne charger les accus interchangeables du système M18 qu'avec le chargeur d'accus du système M18. Ne pas charger des accus d'autres systèmes.

Ne pas ouvrir les accus interchangeables et les chargeurs et ne les stocker que dans des locaux secs. Les protéger contre l'humidité.

**AVERTISSEMENT!** Pour réduire le risque d'incendie, de blessures corporelles et de dommages causés par un court-circuit, ne jamais immerger l'outil, le bloc-piles ou le chargeur dans un liquide ou laisser couler un fluide à l'intérieur de celui-ci. Les fluides corrosifs ou conducteurs, tels que l'eau de mer, certains produits chimiques industriels, les produits de blanchiment ou de blanchiment, etc., peuvent provoquer un court-circuit.

En cas de conditions ou températures extrêmes, du liquide caustique peut s'échapper d'un accu interchangeable endommagé. En cas de contact avec le liquide caustique de la batterie, laver immédiatement avec de l'eau et du savon. En cas de contact avec les yeux, rincer soigneusement avec de l'eau et consulter immédiatement un médecin. Aucune pièce métallique ne doit pénétrer dans le logement d'accu du chargeur (risque de court-circuit)

#### PROTECTION DE L'ACCU CONTRE LES SURCHARGES

Au cas de surcharge de la batterie à cause d'une consommation d'énergie électrique très élevée, par ex. en présence de valeurs de couple très élevées, blocage de l'outil, arrêt soudain ou court-circuit, l'outil électrique s'arrêtera pour 2 secondes et ensuite se désactivera automatiquement. Pour réinitialiser, retirer le pack batterie de la machine et le remplacer.

Sous des sollicitations extrêmes, l'accu s'échauffe trop fortement. Dans ce cas, tous les témoins de l'indicateur de charge clignotent jusqu'à ce que l'accu se soit refroidi. Il est possible de continuer à travailler dès que l'indicateur de charge s'est éteint. Mettre alors l'accu en place dans le chargeur pour le recharger et l'activer.

#### TRANSPORT DE BATTERIES LITHIUM-ION

Les batteries lithium-ion sont soumises aux dispositions législatives concernant le transport de produits dangereux.

Le transport de ces batteries devra s'effectuer dans le respect des dispositions et des normes locales, nationales et internationales.

Les utilisateurs peuvent transporter ces batteries sans restrictions.

Le transport commercial de batteries lithium-ion est réglé par les dispositions concernant le transport de produits dangereux. La préparation au transport et le transport devront être effectués uniquement



par du personnel formé de façon adéquate. Tout le procédé devra être géré d'une manière professionnelle.

Durant le transport de batteries il faut respecter les consignes suivantes :

S'assurer que les contacts soient protégés et isolés en vue d'éviter des courts-circuits.

S'assurer que le groupe de batteries ne puisse pas se déplacer à l'intérieur de son emballage.

Des batteries endommagées ou des batteries perdant du liquide ne devront pas être transportées.

Pour tout renseignement complémentaire veuillez vous adresser à votre transporteur professionnel.

#### UTILISATION CONFORME AUX PRESCRIPTIONS

Le marteau-perforateur est conçu pour un travail universel de perçage à percussion et de burinage dans la maçonnerie et de béton.

#### ENTRETIEN

Avant tous travaux sur l'appareil retirer l'accu interchangeable.

Tenir toujours propres les orifices de ventilation de la machine.

Utiliser uniquement les accessoires Milwaukee et les pièces détachées Milwaukee. Faire remplacer les composants dont le remplacement n'a pas été décrit, par un des centres de service après-vente Milwaukee (observer la brochure avec les adresses de garantie et de service après-vente).

Si besoin est, une vue éclatée de l'appareil peut être fournie. S'adresser, en indiquant bien le numéro porté sur la plaque signalétique, à votre station de service après-vente (voir liste jointe) ou directement à Techtronic Industries GmbH, Max-Eyth-Straße 10, 71364 Winnenden, Germany.

#### DÉCLARATION CE DE CONFORMITÉ

Nous déclarons, sous notre responsabilité exclusive, que le produit décrit ici dans les « Caractéristiques techniques » satisfait à toutes les dispositions pertinentes des directives

2011/65/UE (RoHS)

2006/42/CE

2014/53/UE

et que les normes harmonisées suivantes ont été appliquées.

EN 60745-1:2009 + A11:2010

EN 60745-2-6:2010

EN 55014-1:2017+A11:2020

EN 55014-2:2015

EN IEC 63000:2018

EN 301 489-1 V2.2.3

EN 301 489-17 V3.1.1

EN 300 328 V2.2.2

EN 62479:2010



Winnenden, 2020-11-30

Alexander Krug / Managing Director

Autorisé à compiler la documentation technique.

Techtronic Industries GmbH

Max-Eyth-Straße 10, 71364 Winnenden, Germany

#### SYMBÔLES



ATTENTION! AVERTISSEMENT! DANGER!



Avant tous travaux sur l'appareil retirer l'accu interchangeable.



Veuillez lire avec soin le mode d'emploi avant la mise en service



Accessoires - Ces pièces ne font pas partie de la livraison. Il s'agit là de compléments recommandés pour votre machine et énumérés dans le catalogue des accessoires.



Système ANTI-vibrations



Ne pas appliquer de la force.



Toujours porter des lunettes protectrices en travaillant avec la machine.



Portez une protection acoustique.



Cet appareil contient une pile bouton lithium / batterie au lithium.



Les dispositifs électriques, les batteries et les batteries rechargeables ne sont pas à éliminer dans les déchets ménagers. Les dispositifs électriques et les batteries sont à collecter séparément et à remettre à un centre de recyclage en vue de leur élimination dans le respect de l'environnement. S'adresser aux autorités locales ou au détaillant spécialisé en vue de connaître l'emplacement des centres de recyclage et des points de collecte.

$n_0$

Vitesse de rotation à vide

V

Tension



Courant continu



Marque de conformité européenne



Marque de conformité britannique



Marque de conformité ukrainienne

001



Marque de conformité d'Eurasie



DATI TECNICI	M18 FHM
<b>Tassellatore a batteria</b>	
Numero di serie	4696 96 02... ... 000001-999999
Banda di frequenza	2402-2480 MHz
Potenza a radiofrequenza	1,8 dBm
Tensione batteria	18 V
Numero di giri a vuoto	380 min <sup>-1</sup>
Percussione a pieno carico max.	2900 min <sup>-1</sup>
Forza colpo singolo corrispondente alla procedura EPTA 05/2009	11 J
∅ collarino di fissaggio	66 mm
∅ Foratura in calcestruzzo	45 mm (SDS-max)
Punte tunnel per calcestruzzo, mattoni, calcare.	65 mm (SDS-max)
Punte corona per calcestruzzo, mattoni, calcare.	150 mm (SDS-max)
Peso secondo la procedura EPTA 01/2014 (Li-Ion 5,0 Ah ... 12,0 Ah))	9,7 ... 10,4 kg
Temperatura ambiente consigliata per il funzionamento	-18 °C ... +50 °C
Batterie consigliate	M18B5 – M18HB12
Caricatori consigliati	M12-18...
<b>Informazioni sulla rumorosità</b>	
Valori misurati conformemente alla norma EN 60745. La misurazione A del livello di pressione acustica dell'utensile è di solito di:	
Livello di rumorosità (Incertezza della misura K=3dB(A))	96,5 dB (A)
Potenza della rumorosità (Incertezza della misura K=3dB(A))	107,5 dB (A)
<b>Utilizzare le protezioni per l'udito!</b>	
<b>Informazioni sulle vibrazioni</b>	
Valori totali delle oscillazioni (somma di vettori in tre direzionmisurati conformemente alla norma EN 60745)	
Forare in calcestruzzo	
Valore di emissione dell'oscillazione a <sub>h,HD</sub>	9,4 m/s <sup>2</sup>
Incertezza della misura K=	1,5 m/s <sup>2</sup>
Scalpellare:	
Valore di emissione dell'oscillazione a <sub>h,Cheq</sub>	9,4 m/s <sup>2</sup>
Incertezza della misura K=	1,5 m/s <sup>2</sup>



## AVVERTENZA!

Il livello di vibrazioni indicato nelle presenti istruzioni è stato misurato in conformità con un procedimento di misurazione codificato nella EN 60745 e può essere utilizzato per un confronto tra attrezzi elettrici. Inoltre si può anche utilizzare per una valutazione preliminare della sollecitazione da vibrazioni.

Il livello di vibrazioni indicato rappresenta le applicazioni principali dell'attrezzo elettrico. Se viceversa si utilizza l'attrezzo elettrico per altri scopi, con accessori differenti o con una manutenzione insufficiente, il livello di vibrazioni può risultare diverso. E questo può aumentare decisamente la sollecitazione da vibrazioni lungo l'intero periodo di lavorazione.

Ai fini di una valutazione precisa della sollecitazione da vibrazioni si dovrebbero tenere presente anche i periodi in cui l'apparecchio rimane spento oppure, anche se acceso, non viene effettivamente utilizzato. Ciò può ridurre notevolmente la sollecitazione da vibrazioni lungo l'intero periodo di lavorazione.

Stabilite misure di sicurezza supplementari per la tutela dell'operatore dall'effetto delle vibrazioni, come ad esempio: manutenzione dell'attrezzo elettrico e degli accessori, riscaldamento delle mani, organizzazione dei processi di lavoro.

**⚠ AVVERTENZA! E' necessario leggere tutte le indicazioni di sicurezza e le istruzioni.** In caso di mancato rispetto delle avvertenze di pericolo e delle istruzioni operative si potrà creare il pericolo di scosse elettriche, incendi e/o incidenti gravi.  
**Conservare tutte le avvertenze di pericolo e le istruzioni operative per ogni esigenza futura.**

## ⚠ NORME DI SICUREZZA PER MARTELLO PERFORATORE

**Indossare protezioni acustiche adeguate.** L'esposizione al rumore potrebbe comportare una riduzione dell'udito.

**Utilizzare l'utensile con la sua impugnatura supplementare.** La perdita di controllo potrebbe causare danneggiamenti all'utilizzatore.

**Impugnare l'apparecchio sulle superfici di tenuta isolate mentre si eseguono lavori durante i quali l'utensile da taglio potrebbe entrare in contatto con cavi di corrente.** L'eventuale contatto dell'utensile da taglio con un cavo sotto tensione potrebbe mettere sotto tensione le parti metalliche dell'apparecchio e provocare una folgorazione.

## Ulteriori avvisi di sicurezza e di lavoro

Usare dispositivi di protezione. Durante il lavoro con la macchina bisogna sempre portare occhiali di protezione. Si consiglia di indossare indumenti di protezione come maschera antipolvere, guanti di protezione, scarpe antiscivolo robuste, casco e cuffie di protezione acustica.

La polvere provocata durante la lavorazione con questo utensile può essere dannosa alla salute e per questo motivo non devono entrare in contatto con il corpo. Usare un sistema d'aspirazione polvere e indossare una maschera di protezione dalla polvere. Rimuovere i depositi di polvere, per esempio con un aspiratore.

E' vietato lavorare materiali che possono costituire pericoli alla salute (ad es. amianto).

Forando pareti, soffitti o pavimenti, si faccia attenzione ai cavi elettrici e alle condutture dell'acqua e del gas.

Spegnere immediatamente il dispositivo in caso di bloccaggio! Non riaccendere il dispositivo fino a quando l'utensile ad inserto resta bloccato; esiste il rischio di causare un contraccolpo con elevato momento di reazione. Rilevare ed eliminare la causa del bloccaggio dell'utensile ad inserto tenendo conto delle indicazioni di sicurezza.

Le possibili cause sono:

- Incastro nel pezzo in lavorazione
- Il dispositivo ha attraversato il materiale da lavorare rompendolo
- Il dispositivo elettrico è stato sovraccaricato

Non avvicinare le mani alla parte della macchina in movimento.

Durante l'uso l'utensile ad inserto può surriscaldarsi.

**AVVERTENZA!** Pericolo di ustioni

- durante la sostituzione dell'utensile
- durante il deposito dell'utensile

Non rimuovere trucioli o schegge mentre l'utensile è in funzione.

Fissare in sicurezza il pezzo in lavorazione con un dispositivo di serraggio. Pezzi in lavorazione che non siano fissati in sicurezza possono causare gravi lesioni e danni.

Prima di iniziare togliere la batteria dalla apparecchiatura.

#### AVVERTENZA



Questo dispositivo contiene una batteria a bottone al litio. Una batteria nuova o usata può causare ustioni interne gravi e causare la morte in 2 ore se ingerita o se penetra nell'organismo. Assicurare sempre il coperchio sullo scomparto batterie. Se non si chiude saldamente, arrestare il dispositivo, rimuovere la batteria e tenerla lontano dalla portata dei bambini. Se credete che qualcuno abbia ingerito la batteria, o che la stessa sia entrata in altro modo nell'organismo di qualcuno, cercate immediatamente assistenza medica.

#### OPERAZIONE

##### Avvio a freddo

Se questo utensile è stato conservato per un lungo periodo di tempo o a basse temperature, potrebbe non iniziare immediatamente a martellare poiché la lubrificazione si è indurita.

Per riscaldare l'utensile

1. Inserire e bloccare una punta o uno scalpello nell'utensile.
2. Premere l'interruttore On/Off e applicare una pressione sulla punta o sullo scalpello contro una superficie di cemento o legno per alcuni secondi. Rilasciare l'interruttore On/Off.
3. Ripetere finché l'utensile non inizia a martellare. Più l'utensile è freddo, più tempo impiegherà a riscaldarsi.

#### ONE-KEY™

Per saperne di più sulla funzionalità ONE-KEY di questo utensile, leggere le istruzioni di messa in funzione rapida allegate oppure visitateci in Internet su <http://www.milwaukeetool.com/one-key>.

È possibile scaricare sullo smartphone l'app ONE-KEY dall'App Store o da Google Play. Il risultato di collaudo corrisponde ai nostri requisiti minimi secondo EN 301489-1 / EN 301489-17. Forniremo al cliente una guida al funzionamento nel manuale d'uso.

#### BATTERIE

Batterie non utilizzate per molto tempo devono essere ricaricate prima dell'uso.

A temperature superiori ai 50°C, la potenza della batteria si riduce.

Evitare di esporre l'accumulatore a surriscaldamento prolungato, dovuto ad esempio ai raggi del sole o ad un impianto di riscaldamento.

Per una ottimale vita utile è necessario ricaricare completamente le batterie dopo l'uso.

Per una più lunga durata, rimuovere le batterie dal caricabatterie quando saranno cariche. In caso di immagazzinaggio della batteria per più di 30 giorni: Immagazzinare la batteria a circa 27°C in ambiente asciutto. Immagazzinare la batteria con carica di circa il 30% - 50%.

Ricaricare la batteria ogni 6 mesi.

Non gettare le batterie esaurite sul fuoco o nella spazzatura di casa. La Milwaukee offre infatti un servizio di recupero batterie usate.

Nel vano d'innesto per la batteria del caricatore non devono entrare parti metalliche. (pericolo di cortocircuito).

Le batterie del System M18 sono ricaricabili esclusivamente con i caricatori del System M18. Le batterie di altri sistemi non possono essere ricaricate.

Non aprire né la batteria né il caricatore e conservarli solo in luogo asciutto. Proteggerli dalla umidità.

**AVVERTENZA!** Per ridurre il rischio d'incendio, di lesioni o di danni al prodotto causati da corto circuito, non immergere mai l'utensile, la batteria ricaricabile o il carica batterie in un liquido e non lasciare mai penetrare alcun liquido all'interno dei dispositivi e delle batterie. I fluidi corrosivi o conduttori come acqua salata, alcuni agenti chimici, agenti candeggianti o prodotti contenenti agenti candeggianti potrebbero provocare un corto circuito.

Nel caso di batterie danneggiate da un carico eccessivo o da temperature alte, l'acido di queste potrebbe fuoriuscire. In caso di contatto con l'acido delle batterie lavarsi immediatamente con acqua e sapone. In caso di contatto con gli occhi risciacquare immediatamente con acqua per almeno 10 minuti e contattare subito un medico.

Non conservare le batterie con oggetti metallici (pericolo di cortocircuito).

#### DISPOSITIVO ANTISOVRACCARICO ACCUMULATORE

In caso di sovraccarico della batteria a causa di consumo elettrico molto elevato, ad es. per valori di coppia molto elevati, inceppamento dell'utensile ad inserto, arresto improvviso o corto circuito, l'elettroscopio si arresta per 2 secondi e si disattiva automaticamente. Per resettare, rimuovere il pacco batteria dall'utensile e sostituirlo.

Se sottoposto a sollecitazioni estreme l'accumulatore si riscalda eccessivamente. In questo caso lampeggiano tutte le spie del display di carica finché l'accumulatore non è raffreddato. Quando il display di carica si spegne si può continuare a lavorare. Inserire l'accumulatore nell'apparecchio carica-batterie per ricaricarlo e attivarlo.

#### TRASPORTO DI BATTERIE AGLI IONI DI LITIO

Le batterie agli ioni di litio sono soggette alle disposizioni di legge sul trasporto di merce pericolosa.

Il trasporto di queste batterie deve avvenire rispettando le disposizioni e norme locali, nazionali ed internazionali.

Gli utilizzatori possono trasportare queste batterie su strada senza alcuna restrizione.

Il trasporto commerciale di batterie agli ioni di litio è regolato dalle disposizioni sul trasporto di merce pericolosa. Le preparazioni al trasporto ed il trasporto stesso devono essere svolti esclusivamente da persone idoneamente istruite. Tutto il processo deve essere gestito in maniera professionale.

Durante il trasporto di batterie occorre tenere conto di quanto segue:

Assicurarsi che i contatti siano protetti ed isolati per evitare corti circuiti.

Accertarsi che il gruppo di batterie non possa spostarsi all'interno dell'imballaggio.

Batterie danneggiate o batterie che perdono liquido non devono essere trasportate.

Per ulteriori informazioni si prega di contattare il proprio trasportatore.

#### UTILIZZO CONFORME

Il martello perforatore è utilizzabile universalmente per forare a percussione, per scalpellare la pietra e cemento.

#### MANUTENZIONE

Prima di iniziare togliere la batteria dalla apparecchiatura.

Tener sempre ben pulite le fessure di ventilazione dell'apparecchio. Usare solo accessori Milwaukee e pezzi di ricambio Milwaukee. Gruppi costruttivi la cui sostituzione non è stata descritta, devono essere fatti cambiare da un punto di servizio di assistenza tecnica al cliente Milwaukee (vedi depliant garanzia/indirizzi assistenza tecnica ai clienti).

In caso di mancanza del disegno esploso, può essere richiesto al seguente indirizzo: Techtronic Industries GmbH, Max-Eyth-Straße 10, 71364 Winnenden, Germany.

#### DICHIARAZIONE DI CONFORMITÀ CE

Assumendone la piena responsabilità, dichiariamo che il prodotto descritto nei "Dati tecnici" è conforme alle pertinenti disposizioni delle direttive

2011/65/UE (RoHS)

2006/42/CE

2014/53/UE

e che sono state applicate le seguenti norme armonizzate

EN 60745-1:2009 + A11:2010

EN 60745-2-6:2010

EN 55014-1:2017+A11:2020

EN 55014-2:2015

EN IEC 63000:2018

EN 301 489-1 V2.2.3

EN 301 489-17 V3.1.1

EN 300 328 V2.2.2

EN 62479:2010



Winnenden, 2020-11-30

Alexander Krug / Managing Director

Autorizzato alla preparazione della documentazione tecnica

Techtronic Industries GmbH

Max-Eyth-Straße 10, 71364 Winnenden, Germany

#### SIMBOLI



ATTENZIONE! AVVERTENZA! PERICOLO!



Prima di iniziare togliere la batteria dalla apparecchiatura.



Leggere attentamente le istruzioni per l'uso prima di mettere in funzione l'elettrostrumento.



Accessorio - Non incluso nella dotazione standard, disponibile a parte come accessorio.



Sistema ANTI-vibrazione



Non applicare forza.



Durante l'uso dell'apparecchio utilizzare sempre gli occhiali di protezione.



Indossare protezioni acustiche adeguate.



Questo dispositivo contiene una batteria a bottone al litio.



I dispositivi elettrici, le batterie e le batterie ricaricabili non devono essere smaltiti con i rifiuti domestici. I dispositivi elettrici e le batterie devono essere raccolti separatamente e devono essere conferiti ad un centro di riciclaggio per lo smaltimento rispettoso dell'ambiente. Chiedere alle autorità locali o al rivenditore specializzato dove si trovano i centri di riciclaggio e i punti di raccolta.

$n_0$

Numero di giri a vuoto

V

Voltaggio



Corrente continua



Marchio di conformità europeo



Marchio di conformità britannico



Marchio di conformità ucraino

001



Marchio di conformità euroasiatico



DATOS TÉCNICOS	M18 FHM
<b>Martillo Rotativo a Batería</b>	
Número de producción	4696 96 02... ... 000001-999999
Banda de frecuencia	2402-2480 MHz
Potencia de radiofrecuencia	1,8 dBm
Voltaje de batería	18 V
Velocidad en vacío	380 min <sup>-1</sup>
Frecuencia de impactos bajo carga máx.	2900 min <sup>-1</sup>
Energía por percusión según EPTA-Procedure 05/2009	11 J
Diámetro de cuello de amarre	66 mm
Diámetro de taladrado en hormigón	45 mm (SDS-max)
Brocas túnel en hormigón, ladrillo y arenisca	65 mm (SDS-max)
Broca de corona en hormigón, ladrillo y arenisca	150 mm (SDS-max)
Peso de acuerdo con el procedimiento EPTA 01/2014 (Li-Ion 5,0 Ah ... 12,0 Ah)	9,7 ... 10,4 kg
Temperatura ambiente recomendada para la operación	-18 °C ... +50 °C
Juegos de baterías recomendados	M18B5 – M18HB12
Cargadores recomendados	M12-18...
<b>Información sobre ruidos</b>	
Determinación de los valores de medición según norma EN 60745. El nivel de ruido típico del aparato determinado con un filtro A corresponde a:	
Presión acústica (Tolerancia K=3dB(A))	96,5 dB (A)
Resonancia acústica (Tolerancia K=3dB(A))	107,5 dB (A)
<b>Usar protectores auditivos!</b>	
<b>Informaciones sobre vibraciones</b>	
Nivel total de vibraciones (suma vectorial de tres direcciones) determinado según EN 60745.	
Taladrar en hormigón	
Valor de vibraciones generadas $a_{h,HD}$	9,4 m/s <sup>2</sup>
Tolerancia K=	1,5 m/s <sup>2</sup>
Cincelar:	
Valor de vibraciones generadas $a_{h,Cheq}$	9,4 m/s <sup>2</sup>
Tolerancia K=	1,5 m/s <sup>2</sup>



### ADVERTENCIA!

El nivel vibratorio indicado en estas instrucciones ha sido medido conforme a un método de medición estandarizado en la norma EN 60745, y puede utilizarse para la comparación entre herramientas eléctricas. También es apropiado para una estimación provisional de la carga de vibración. El nivel vibratorio indicado representa las aplicaciones principales de la herramienta eléctrica. Si, pese a ello, se utiliza la herramienta eléctrica para otras aplicaciones, con útiles adaptables diferentes o con un mantenimiento insuficiente, el nivel vibratorio puede diferir. Esto puede incrementar sensiblemente la carga de vibración durante todo el periodo de trabajo.

Para una estimación exacta de la carga de vibración deberían tenerse en cuenta también los tiempos durante los que el aparato está apagado o, pese a estar en funcionamiento, no está siendo realmente utilizado. Esto puede reducir sustancialmente la carga de vibración durante todo el periodo de trabajo.

Adopte medidas de seguridad adicionales para la protección del operador frente al efecto de las vibraciones, como por ejemplo: mantenimiento de la herramienta eléctrica y de los útiles adaptables, mantener las manos calientes, organización de los procesos de trabajo.

**⚠ ADVERTENCIA! Rogamos leer las indicaciones de seguridad y las instrucciones.** En caso de no atenerse a las advertencias de peligro e instrucciones siguientes, ello puede ocasionar una descarga eléctrica, un incendio y/o lesión grave.

**Guardar todas las advertencias de peligro e instrucciones para futuras consultas.**

### ⚠ INSTRUCCIONES DE SEGURIDAD PARA MARTILLO PERFORADOR

**¡Utilice protección auditiva!** La exposición a niveles de ruido excesivos puede causar la pérdida de audición.

**¡Utilice las empuñaduras auxiliares suministradas con la herramienta!** La pérdida de control de la herramienta puede causar accidentes

**Sujete el aparato de las superficies aisladas de agarre al efectuar trabajos en los cuales la perforadora de percusión pueda entrar en contacto con conductores de corriente ocultos.** El contacto de la perforadora de percusión con un conducto con energía aplicada también podrá poner bajo tensión partes metálicas del

aparato y causar un choque eléctrico.

## Instrucciones adicionales de seguridad y laborales

Utilice el equipamiento de protección. Mientras trabaje con la máquina lleve siempre gafas protectoras. Se recomienda utilizar ropa de protección como máscara protectora contra el polvo, guantes protectores, calzado resistente y antideslizante, casco y protección para los oídos.

El polvo que se produce cuando se usa esta herramienta puede ser perjudicial para la salud. Use un sistema de absorción de polvo y utilice una máscara adecuada de protección contra el polvo. Limpie el polvo depositado, por ejemplo con un aspirador.

No se deben trabajar materiales que conlleven un riesgo para la salud (por ej. amianto).

Para trabajar en paredes, techo o suelo, tenga cuidado para evitar los cables eléctricos y tuberías de gas o agua.

¡En caso de que se bloquee el útil, el aparato se debe desconectar inmediatamente! No vuelva a conectar el aparato, mientras el útil esté bloqueado; se podría producir un rechazo debido a la reacción de retroceso brusca. Averigüe y elimine la causa del bloqueo del útil, teniendo en cuenta las indicaciones de seguridad.

Causas posibles para ello pueden ser:

- Atascamiento o bloqueo en la pieza de trabajo
- Rotura del material con el que está trabajando.
- Sobrecarga de la herramienta eléctrica

No introduzca las manos en la máquina mientras ésta se encuentra en funcionamiento.

El útil se puede calentar durante el uso.

**ADVERTENCIA!** Peligro de quemaduras

- en caso de cambiar la herramienta
- en caso de depositar el aparato

Nunca se debe intentar limpiar el polvo o viruta procedente del taladrado con la máquina en funcionamiento.

Fije la pieza de trabajo con un dispositivo de fijación. Las piezas de trabajo no fijadas pueden causar lesiones graves y deterioros.

Retire la batería antes de comenzar cualquier trabajo el aparato.

### ADVERTENCIA



Este dispositivo contiene una batería de litio de botón. En caso de ingesta o de que entre en el cuerpo, una batería nueva o usada puede provocar quemaduras internas y causar la muerte en 2 horas. Asegure siempre la tapa del compartimento de la batería. Si no se cierra correctamente, detenga el dispositivo, retire la batería o mantenga fuera del alcance de los niños. Si cree que alguien puede haber ingerido la batería o que puede haber entrado en el cuerpo de alguna otra manera, acuda inmediatamente a un médico.

## OPERACIÓN

### Arranque en frío

Si esta herramienta se almacena durante un período prolongado o a bajas temperaturas, es posible que no martille inicialmente porque la lubricación se ha vuelto rígida.

Para calentar la herramienta

1. Inserte y bloquee un poco o cincele en la herramienta.
2. Apriete el gatillo y aplique fuerza a la broca o cincele contra una superficie de hormigón o madera durante unos segundos. Suelte el gatillo.
3. Repita esta operación hasta que la herramienta empiece a martillar. Cuanto más fría esté la herramienta, más tiempo tardará en calentarse.

## ONE-KEY™

Para obtener más información sobre la función ONE-KEY de esta herramienta, lea la guía de inicio rápido adjunta o visite nuestra web en <http://www.milwaukeetool.com/one-key>.

Puede descargar en su teléfono móvil la aplicación ONE-KEY en la App Store o en Google Play. El resultado de la prueba cumple con los requisitos mínimos conforme a EN 301489-1 / EN 301489-17.Y ofreceremos al cliente las indicaciones de uso en nuestro manual de usuario.

## BATERÍA

Las baterías no utilizadas durante cierto tiempo deben ser recargadas antes de usar.

Las temperaturas superiores a 50°C reducen el rendimiento de la batería. Evite una exposición excesiva a fuentes de calor o al sol (riesgo de sobrecalentamiento).

Los puntos de contacto de los cargadores y las baterías se deben mantener limpios.

Para un tiempo óptimo de vida, deberán cargarse las baterías completamente después de su uso.

Para garantizar la máxima capacidad y vida útil, las baterías recargables se deberían retirar del cargador una vez finalizada la carga. En caso de almacenar la batería recargable más de 30 días: Almacenar la batería recargable en un lugar seco a una temperatura de aproximadamente 27°C. Almacenar la batería recargable con un estado de carga del 30% y 50% aproximadamente. Recargar la batería cada 6 meses. No tire las baterías usadas a la basura ni al fuego. Los Distribuidores Milwaukee ofrecen un servicio de recogida de baterías antiguas para proteger el medio ambiente.

No abra nunca las baterías ni los cargadores y guárdelos sólo en lugares secos. Protéjalos de la humedad en todo momento.

No almacene la batería con objetos metálicos (riesgo de cortocircuito). Recargar solamente los acumuladores del Sistema M18 en cargadores M18. No intentar recargar acumuladores de otros sistemas.

No abra nunca las baterías ni los cargadores y guárdelos sólo en lugares secos. Protéjalos de la humedad en todo momento.

**ADVERTENCIA!** Para reducir el riesgo de incendio, lesión personales y daños al producto debido a un cortocircuito, no sumerja nunca la herramienta, el pa-quete de baterías o el cargador en líquido ni permita que fluya un fluido dentro de ellos. Los fluidos corrosivos o conductivos, como el agua de mar, ciertos productos químicos industriales y blanqueadores o lejías que contienen, etc., Pueden causar un cortocircuito.

En caso de sobrecarga o alta temperatura, pueden llegar a producirse escapes de ácido provenientes de la batería. En caso de contacto con éste, limpie inmediatamente la zona con agua y jabón. Si el contacto es en los ojos, límpiese concienzudamente con agua durante 10 minutos y acuda inmediatamente a un médico

No introduzca en la cavidad del cargador objetos metálicos (riesgo de cortocircuito).

## PROTECCIÓN CONTRA SOBRECARGA DE LA BATERÍA

En caso de sobrecarga del acumulador por consumo excesivo de corriente eléctrica, por ej. debido a pares muy elevados, agarramiento del útil, parada repentina o cortocircuito, la herramienta eléctrica se detendrá durante 2 segundos y se desconectará automáticamente. Para restablecer, retire la batería de la herramienta y vuelva a colocarla.

Bajo cargas extremas la batería se calienta demasiado. En este caso, todas las luces del indicador de carga parpadean hasta que la batería se enfría. Cuando se apaga el indicador de carga se puede trabajar de nuevo. Meta entonces la batería en el cargador para recargarla otra vez y activarla.



## TRANSPORTE DE BATERÍAS DE IONES DE LITIO

Las baterías de iones de litio caen bajo las disposiciones legales relativas al transporte de mercancías peligrosas.

El transporte de estas baterías recargables debe llevarse a cabo, observando las normas y disposiciones locales, nacionales e internacionales.

Los consumidores pueden transportar estas baterías recargables sin el menor reparo en la calle.

El transporte comercial de baterías recargables de iones de litio por empresas de transportes está sometido a las disposiciones del transporte de mercancías peligrosas. Las preparaciones para el envío y el transporte deben ser llevados a cabo exclusivamente por personas instruidas adecuadamente. El proceso completo debe ser supervisado por personal competente.

Los siguientes puntos se deben observar para el transporte de las baterías recargables:

Se debe asegurar que los contactos estén protegidos y aislados para evitar que se produzcan cortocircuitos.

Preste atención a que el conjunto de baterías recargables no se pueda desplazar dentro del envase.

Las baterías recargables deterioradas o derramadas no se deben transportar.

Rogamos que para cualquier información adicional se dirija a su empresa de transportes.

## APLICACIÓN DE ACUERDO A LA FINALIDAD

El martillo es utilizable para todo tipo de taladros y cincelados en piedras y hormigón.

## MANTENIMIENTO

Retire la batería antes de comenzar cualquier trabajo el aparato.

Las ranuras de ventilación de la máquina deben estar despejadas en todo momento.

Utilice solamente accesorios y repuestos Milwaukee. En caso de necesitar reemplazar componentes no descritos, contacte con cualquiera de nuestras estaciones de servicio Milwaukee (consultar lista de servicio técnicos)

En caso necesario, puede solicitar un despiece de la herramienta. Por favor indique el número de impreso que hay en la etiqueta y pida el despiece a la siguiente dirección: Techtronic Industries GmbH, Max-Eyth-Straße 10, 71364 Winnenden, Germany.

## DECLARACION DE CONFORMIDAD CE

Declaramos bajo nuestra única responsabilidad que el producto descrito bajo „Datos técnicos“ cumple todas las disposiciones pertinentes de las directivas

2011/65/UE (RoHS)

2006/42/CE

2014/53/UE

y que se han implementado y estándares

EN 60745-1:2009 + A11:2010

EN 60745-2-6:2010

EN 55014-1:2017+A11:2020

EN 55014-2:2015

EN IEC 63000:2018

EN 301 489-1 V2.2.3

EN 301 489-17 V3.1.1

EN 300 328 V2.2.2

EN 62479:2010



Winnenden, 2020-11-30

Alexander Krug / Managing Director  
Autorizado para la redacción de los documentos técnicos.

Techtronic Industries GmbH  
Max-Eyth-Straße 10, 71364 Winnenden, Germany

## SÍMBOLOS



¡ATENCIÓN! ¡ADVERTENCIA! ¡PELIGRO!



Retire la batería antes de comenzar cualquier trabajo el aparato.



Lea las instrucciones detenidamente antes de conectar la herramienta



Accesorio - No incluido en el equipo estándar, disponible en la gama de accesorios.



Sistema ANTIvibración



No aplique fuerza.



Para trabajar con la máquina, utilizar siempre gafas de protección.



¡Utilice protección auditiva!



Este dispositivo contiene una batería de litio de botón.



Los electrodomésticos y las baterías/acumuladores no se deben eliminar junto con la basura doméstica. Los aparatos eléctricos y los acumuladores se deben recoger por separado y se deben entregar a una empresa de reciclaje para una eliminación respetuosa con el medio ambiente. Infórmese en las autoridades locales o en su tienda especializada sobre los centros de reciclaje y puntos de recogida.

**n<sub>0</sub>**

Velocidad en vacío

**v**

Tensión



Corriente continua



Marcado de conformidad europeo



Marcado de conformidad británico



Marcado de conformidad ucraniano

001



Marcado de conformidad euroasiático



CARACTERÍSTICAS TÉCNICAS	M18 FHM
<b>Martelo Rotativo a Bateria</b>	
Número de produção	4696 96 02... ... 000001-999999
Banda de frequências	2402-2480 MHz
Potência de radiofrequências	1,8 dBm
Tensão do acumulador	18 V
Velocidade em vazio	380 min <sup>-1</sup>
Frequência de percussão em carga no máx.	2900 min <sup>-1</sup>
Força de impacto individual conforme EPTA-Procedure 05/2009	11 J
Ø da gola de aperto	66 mm
Ø de furo em betão	45 mm (SDS-max)
Brocas de coroa para tunéis para betão, tijolos e blocos sílico-calcário	65 mm (SDS-max)
Coroa dentada de perfurar para betão, tijolos e blocos sílico-calcário	150 mm (SDS-max)
Peso nos termos do procedimento-EPTA 01/2014 (Li-Ion 5,0 Ah ... 12,0 Ah))	9,7 ... 10,4 kg
Temperatura ambiente recomendada para a operação	-18 °C ... +50 °C
Conjuntos de baterias recomendados	M18B5 – M18HB12
Carregadores recomendados	M12-18...
<b>Informações sobre ruído</b>	
Valores de medida de acordo com EN 60745. O nível de ruído avaliado A do aparelho é tipicamente:	
Nível da pressão de ruído (Incertez K=3dB(A))	96,5 dB (A)
Nível da potência de ruído (Incertez K=3dB(A))	107,5 dB (A)
<b>Use protectores auriculares!</b>	
<b>Informações sobre vibração</b>	
Valores totais de vibração (soma dos vectores das três direcções) determinadas conforme EN 60745.	
Furar em betão	
Valor de emissão de vibração a <sub>h,HD</sub>	9,4 m/s <sup>2</sup>
Incerteza K=	1,5 m/s <sup>2</sup>
Trabalho de ponteira:	
Valor de emissão de vibração a <sub>h,Cheq</sub>	9,4 m/s <sup>2</sup>
Incerteza K=	1,5 m/s <sup>2</sup>



**Por**

### ATENÇÃO!

O nível vibratório indicado nestas instruções foi medido em conformidade com um procedimento de medição normalizado na EN 60745 e pode ser utilizado para comparar entre si ferramentas eléctricas. O mesmo é também adequado para avaliar provisoriamente o esforço vibratório.

O nível vibratório indicado representa as principais aplicações da ferramenta eléctrica. Se, no entanto, a ferramenta eléctrica for utilizada para outras aplicações, com outras ferramentas adaptadas ou uma manutenção insuficiente, o nível vibratório poderá divergir. Isto pode aumentar consideravelmente o esforço vibratório ao longo de todo o período do trabalho.

Para uma avaliação exacta do esforço vibratório devem também ser considerados os tempos durante os quais o aparelho está desligado ou está a funcionar, mas não está efectivamente a ser utilizado. Isto pode reduzir consideravelmente o esforço vibratório ao longo de todo o período do trabalho.

Defina medidas de segurança suplementares para proteger o operador do efeito das vibrações, como por exemplo: manutenção da ferramenta eléctrica e das ferramentas adaptadas, manter as mãos quentes, organização das sequências de trabalho.

**⚠ ATENÇÃO! Leia todas as instruções de segurança e todas as instruções.** O desrespeito das advertências e instruções apresentadas abaixo pode causar choque eléctrico, incêndio e/ou graves lesões.

**Guarde bem todas as advertências e instruções para futura referência.**

### ⚠ INSTRUÇÕES DE SEGURANÇA PARA MARTELO

**Sempre use a protecção dos ouvidos.** Os ruídos podem causar surdez.

**Sempre use os punhos adicionais fornecidos com o aparelho.** A perda de controlo pode causar feridas.

**Segure o aparelho nas superfícies de punho isoladas se estiver a executar trabalhos, nos quais a ferramenta de corte pode tocar em linhas eléctricas escondidas.** O contacto da ferramenta de corte com uma linha sob tensão também pode colocar peças metálicas do aparelho sob tensão e levar a um choque eléctrico.

### Instruções de segurança e trabalho suplementares

Utilizar equipamento de protecção. Durante os trabalhos com a máquina, usar sempre óculos de protecção. Vestuário de protecção, bem como máscara de pó, sapatos fechados e antiderrapante, capacete e protecção auditiva são recomendados.

A poeira gerada ao trabalhar com esta ferramenta pode ser perigosa para a saúde e por isso não deve atingir o corpo. Utilize um sistema de absorção de poeiras e use uma máscara de protecção. Retire completamente a poeira depositada, por exemplo com um aspirador.

Não devem ser processados materiais que representem um perigo para a saúde (p. ex. asbesto).

Ao trabalhar em paredes, tectos e soalhos prestar atenção a que não sejam atingidos cabos eléctricos e canalizações de gás e água.

Desligue o aparelho imediatamente, quando a ferramenta de inserção bloquear! Não ligue o aparelho novamente durante o bloqueio da ferramenta de inserção, pois isso pode levar a um recuo repentino com uma alta força reactiva. Verifique e elimine a causa do bloqueio da ferramenta de inserção, observando as instruções de segurança.

Causas possíveis podem ser:

- Emperramento na peça a trabalhar
- Ruptura do material a processar
- Sobrecarga da ferramenta eléctrica

Não toque na máquina em operação.

A ferramenta de inserção pode ficar quente durante a operação.

**ATENÇÃO!** Perigo de queimar-se

- na troca das ferramentas
- ao depositar o aparelho

Não remover aparas ou lascas enquanto a máquina trabalha.

Fixe a peça a trabalhar com um dispositivo de fixação. Peças a trabalhar não fixadas podem levar a feridas graves e danos sérios.

Antes de efectuar qualquer intervenção o aparelho retirar o bloco acumulador.

#### ATENÇÃO



Este dispositivo contém uma pilha de célula de lítio tipo botão/ moeda. Uma pilha de nova ou usada pode causar queimaduras internas graves e levar à morte em menos de 2 horas, em caso de ingestão ou se ela penetrar no corpo. Fixe sempre a tampa do compartimento da pilha. Se ela não for fechada seguramente, pare o dispositivo, remova a pilha e mantenha-a fora do alcance de crianças. Se achar que alguém engoliu a pilha ou se ela tiver de algum outro modo penetrado no corpo, procure imediatamente um médico.

#### FUNCIONAMENTO

##### Arranque a Frio

Se esta ferramenta for armazenada por um período prolongado ou a baixas temperaturas, é possível que não martele bem inicialmente, devido ao endurecimento do lubrificante.

Para aquecer a ferramenta

1. Insira um escopro ou cinzel na ferramenta.
2. Puxe o gatilho e aplique força no escopro ou cinzel, contra uma superfície de betão ou madeira, durante alguns segundos. Solte o gatilho.
3. Repita até que a ferramenta comece a martelar. Quanto mais fria a ferramenta estiver, mais tempo demorará a aquecer.

#### ONE-KEY™

Para saber mais sobre a funcionalidade ONE-KEY desta ferramenta, ler o manual de arranque rápido em anexo ou visitar o nosso site na Internet em <http://www.milwaukeetool.com/one-key>

Pode-se descarregar a app ONE-KEY para o smartphone através da App Store ou do Google Play. O resultado do teste satisfaz as nossas exigências mínimas nos termos das normas EN 301489-1 / EN 301489-17. Forneceremos ao cliente a orientação de operação contida no manual do utilizador.

#### ACUMULADOR

Acumuladores não utilizados durante algum tempo devem ser recarregados antes da sua utilização.

Temperaturas acima de 50°C reduzem a capacidade do bloco acumulador. Evitar exposição prolongada ao sol ou a caloríferos.

Mantenha limpos os contactos eléctricos no carregador e no bloco acumulador.

Para uma vida útil óptima das baterias, terá que carregá-las plenamente após a sua utilização.

Para assegurar uma vida útil longa, o pacote de bateria deve ser removido da carregadora depois do carregamento. Se o pacote de bateria for armazenado por mais de 30 dias: Armazene o pacote de bateria com aprox. 27°C em um lugar seco. Armazene o pacote de bateria com aprox. 30%-50% da carga completa. Carregue o pacote de bateria novamente de 6 em 6 meses.

Não queimar acumuladores gastos nem deitá-los no lixo doméstico. A Milwaukee possui uma eliminação de acumuladores gastos que respeita o meio ambiente.

Não guardar acumuladores junto com objectos metálicos (perigo de curto-circuito).

Use apenas carregadores do Sistema M18 para recarregar os acumuladores do Sistema M18. Não utilize acumuladores de outros sistemas. Carregadores só devem ser utilizados em recintos secos.

**ATENÇÃO!** Para evitar o risco de incêndio, de feridas ou de danificação do produto causado por um curto-circuito, não imerja a bateria intercambiável ou o carregador em líquidos e assegure-se de que líquidos não penetrem nos aparelhos ou nas baterias. Líquidos corrosivos ou condutivos como água salgada, determinadas substâncias químicas e produtos que contenham branqueadores podem causar um curto-circuito.

Em caso de cargas ou temperaturas extremas, um acumulador de substituição danificado poderá verter líquido de bateria. Se entrar em contacto com este líquido, deverá lavar-se imediatamente com água e sabão. Em caso de contacto com os olhos, enxagüe-os bem e de imediato durante pelo menos 10 minutos e consulte um médico o mais depressa possível.

Não abrir acumuladores e carregadores. Armazená-los em recintos secos. Protegê-los contra humidade.

#### PROTECÇÃO DE SOBRECARGA DE BATERIA

Em caso de sobrecarga da bateria devido a um consumo de energia muito alto, p.ex., por causa de um elevado binário, de uma parada repentina ou de um curto-circuito, a ferramenta eléctrica pára por 2 segundos e desliga-se automaticamente. Para repor, retire a bateria da ferramenta e proceda à respetiva substituição.

Sob condições extremas, a bateria aquece demasiado. Nesse caso, todas as luzes do indicador de carregamento de bateria piscam até que esta arrefeça. Após as luzes do indicador de carregamento de bateria se apagarem, pode-se continuar a trabalhar. Voltar então a colocar o acumulador no carregador para o carregar de novo e para assim o activar.

#### TRANSPORTE DE BATERIAS DE IÃO-LÍTIO

Baterias de ião-lítio estão sujeitas às disposições da legislação relativa às substâncias perigosas.

O transporte destas baterias deve ser efetuado de acordo com as disposições e os regulamentos locais, nacionais e internacionais.

O utilizador pode efectuar o transporte rodoviário destas baterias sem restrições.



O transporte comercial de baterias de íão-lítio por terceiros está sujeito aos regulamentos relativos às substâncias perigosas. A preparação do transporte e o transporte devem ser executados exclusivamente por pessoas instruídas e o processo deve ser acompanhado pelos especialistas correspondentes.

Observe o seguinte no transporte de baterias:

Assegure-se de que os contatos terminais estejam protegidos e isolados para evitar um curto-circuito.

Assegure-se de que o bloco da bateria esteja protegido contra movimentos na embalagem.

Não transporte baterias danificadas ou que tenham fuga.

Para instruções mais detalhadas consulte a companhia de transportes

#### UTILIZAÇÃO AUTORIZADA

O martelo electro-pneumático tem aplicação universal para trabalhos de furar com percussão e trabalhos de ponteira em pedra e betão.

#### MANUTENÇÃO

Antes de efectuar qualquer intervenção o aparelho retirar o bloco acumulador.

Manter desobstruídos os rasgos de ventilação na carcaça da máquina. Utilizar apenas acessórios Milwaukee e peças sobresselentes Milwaukee. Os componentes cuja substituição não esteja descrita devem ser substituídos num serviço de assistência técnica Milwaukee (consultar a brochura relativa à garantia/moradas dos serviços de assistência técnica).

A pedido e mediante indicação da referência que consta da chapa de características da máquina, pode requerer-se um desenho explosivo da ferramenta eléctrica a: Techtronic Industries GmbH, Max-Eyth-Straße 10, 71364 Winnenden, Germany.

#### DECLARAÇÃO DE CONFORMIDADE CE

Declaramos, sob a nossa inteira responsabilidade, que o produto descrito em «Dados Técnicos» cumpre todas as disposições relevantes das diretivas

2011/65/UE (RoHS)

2006/42/CE

2014/53/UE

tendo sido seguidas as seguintes normas harmonizadas

EN 60745-1:2009 + A11:2010

EN 60745-2-6:2010

EN 55014-1:2017+A11:2020

EN 55014-2:2015

EN IEC 63000:2018

EN 301 489-1 V2.2.3

EN 301 489-17 V3.1.1

EN 300 328 V2.2.2

EN 62479:2010



Winnenden, 2020-11-30

Alexander Krug / Managing Director

Autorizado a reunir a documentação técnica.

Techtronic Industries GmbH

Max-Eyth-Straße 10, 71364 Winnenden, Germany

#### SYMBOLS



ATENÇÃO! PERIGO!



Antes de efectuar qualquer intervenção o aparelho retirar o bloco acumulador.



Leia atentamente o manual de instruções antes de colocar a máquina em funcionamento.



Acessório - Não incluído no equipamento normal, disponível como acessório.



Sistema antivibração



Não aplique força.



Usar sempre óculos de protecção ao trabalhar com a máquina.



Sempre use a protecção dos ouvidos.



Este dispositivo contém uma pilha de célula de lítio tipo botão/moeda.



Aparelhos eléctricos, baterias/acumuladores não devem ser jogados no lixo doméstico. Os aparelhos eléctricos e as baterias devem ser colectados separadamente e entregues a uma empresa de reciclagem para a eliminação correcta. Solicite informações sobre empresas de reciclagem e postos de colecta de lixo das autoridades locais ou do seu vendedor autorizado.

$n_0$

Velocidade em vazio

V

Tensão



Corrente contínua



Marca de Conformidade Europeia



Marca de Conformidade Britânica



Marca de Conformidade Ucraniana

001



Marca de Conformidade Eurasiática



Por

TECHNISCHE GEGEVENS	M18 FHM
<b>Accu-boorhamer</b>	
Productienummer	4696 96 02... ... 000001-999999
Frequentieband	2402-2480 MHz
Radiofrequent vermogen	1,8 dBm
Spanning wisselakku	18 V
Onbelast toerental	380 min <sup>-1</sup>
Aantal slagen belast max.	2900 min <sup>-1</sup>
Slagkracht overeenkomstig EPTA-Procedure 05/2009	11 J
Spanhals-ø	66 mm
Boor-ø in beton	45 mm (SDS-max)
Tunnel bit in beton, tegel en kalkzandsteen	65 mm (SDS-max)
Holboorkroon in beton, tegel en kalkzandsteen	150 mm (SDS-max)
Gewicht volgens de EPTA-procedure 01/2014 (Li-Ion 5,0 Ah ... 12,0 Ah)	9,7 ... 10,4 kg
Aanbevolen omgevingstemperatuur voor het bedrijf	-18 °C ... +50 °C
Aanbevolen accupacks	M18B5 – M18HB12
Aanbevolen laadtoestellen	M12-18...
<b>Geluidsinformatie</b>	
Meetwaarden vastgesteld volgens EN 60745. Het kenmerkende A-gewogen geluidsniveau van de machine bedraagt:	
Geluidsdrukniveau (Onzekerheid K=3dB(A))	96,5 dB (A)
Geluidsvermogeniveau (Onzekerheid K=3dB(A))	107,5 dB (A)
<b>Draag oorbeschermers!</b>	
<b>Trillingsinformatie</b>	
Totale trillingswaarden (vectorsom van drie richtingebepaald volgens EN 60745.	
Hamerboren in beton	
Trillingsemissiewaarde a <sub>h,HD</sub>	9,4 m/s <sup>2</sup>
Onzekerheid K=	1,5 m/s <sup>2</sup>
Hakken:	
Trillingsemissiewaarde a <sub>h,ChEQ</sub>	9,4 m/s <sup>2</sup>
Onzekerheid K=	1,5 m/s <sup>2</sup>



## WAARSCHUWING!

De in deze aanwijzingen vermelde trillingsdruk is gemeten volgens een in EN 60745 genormeerde meetmethode en kan worden gebruikt voor de onderlinge vergelijking van apparaten. Hij is ook geschikt voor een voorlopige inschatting van de trillingsbelasting.

De aangegeven trillingsdruk geldt voor de meest gebruikelijke toepassingen van het elektrische apparaat. Wanneer het elektrische gereedschap echter voor andere doeleinden, met andere dan de voorgeschreven hulpstukken gebruikt of niet naar behoren onderhouden wordt, kan de trillingsdruk afwijken. Dit kan de waarde van de trillingsdruk over de hele werkperiode aanzienlijk verhogen.

Voor een nauwkeurige inschatting van de trillingsdruk moeten ook de tijden in aanmerking worden genomen dat het apparaat uitgeschakeld is of weliswaar loopt, maar niet werkelijk in gebruik is. Dit kan de waarde van de trillingsdruk over de hele werkperiode aanzienlijk verminderen.

Bepaal extra veiligheidsmaatregelen ter bescherming van de bediener tegen de inwerking van trillingen, bijvoorbeeld: onderhoud van elektrische gereedschappen en apparaten, warmhouden van de handen, organisatie van de werkprocessen.



**WAARSCHUWING! Lees alle veiligheidsinstructies en aanwijzingen door.** Als de waarschuwingen en voorschriften niet worden opgevolgd, kan dit een elektrische schok, brand of ernstig letsel tot gevolg hebben.

**Bewaar alle waarschuwingen en voorschriften voor toekomstig gebruik.**



### VEILIGHEIDSinSTRUCTIES VOOR BOORHAMER

**Draag oorbeschermers.** Lawaai kan gehoorverlies veroorzaken.

**Gebruik de bij de machine geleverde zijhandgreep.** Verlies aan controle kan tot persoonlijk letsel leiden.

**Houd het apparaat alléén aan de geïsoleerde grijpvlakken vast, wanneer u werkzaamheden uitvoert waarbij het snijgereedschap verborgen stroomleidingen zou kunnen raken.**

Het contact van het snijgereedschap met een spanningvoerende leiding kan de metalen apparaatdelen onder spanning zetten en zo tot een elektrische schok leiden.

### Verdere veiligheids- en werkinstructies

Draag veiligheidsuitrusting. Bij werkzaamheden met de machine dient u altijd een veiligheidsbril te dragen. Veiligheidskleding zoals stofmasker, veiligheidshandschoenen, stevig en slipvast schoeisel, helm en gehoorbescherming worden aanbevolen.

Stof die vrijkomt tijdens het werken vormt vaak een gevaar voor de gezondheid en mag niet met het lichaam in aanraking komen. Machines met stofafzuiging gebruiken en tevens geschikte stofmaskers dragen. Vrijgekomen stof grondig verwijderen resp. opzuigen.

Het is niet toegestaan, materialen te bewerken waarvan een gezondheidsgevaar uitgaat (bijv. asbest).

Bij het werken in wanden, plafonds of vloeren oppassen voor elektriciteitsdraden, gas- of waterleidingen.

Schakel het apparaat onmiddellijk uit als het gereedschap blokkeert! Schakel het apparaat niet in zolang het gereedschap geblokkeerd is; dit zou een terugslag met een hoog reactiemoment kunnen veroorzaken. Achterhaal en verhelp de oorzaak voor de blokkering van het gereedschap met inachtneming van de veiligheidsinstructies.

Mogelijke oorzaken zijn:

- kantelen in het te bewerken werkstuk
- Doorbreken van het te bewerken materiaal
- overbelasting van het elektrische gereedschap

Grijp niet in de lopende machine.

Het gereedschap kan heet worden tijdens het gebruik.

**WAARSCHUWING!** Gevaar voor verbranding

- bij het vervangen van het gereedschap
- bij het neerleggen van het apparaat

Spanen of splinters mogen bij draaiende machine niet worden verwijderd.

Borg uw werkstuk met behulp van een spanrichting Niet geborgde werkstukken kunnen ernstig letsel en grote schade veroorzaken.

Voor alle werkzaamheden aan de apparaat de accu verwijderen.

#### **WAARSCHUWING**



Dit apparaat heeft een type knoopcel-lithiumbatterij. Een nieuwe of gebruikte batterij kan leiden tot ernstige interne verbrandingen en tot de dood in minder dan twee uur indien ingeslikt of in het lichaam geplaatst. Zet de deksel van het batterijvak altijd goed vast. Als het niet goed sluit, het apparaat stoppen, de batterij verwijderen en buiten bereik van kinderen houden. Als u denkt dat iemand een batterij heeft ingeslikt of op een andere manier in het lichaam heeft geplaatst, direct een arts raadplegen.

#### **BEDIENING**

##### **Koude start**

Als dit gereedschap gedurende een lange periode of bij koude temperaturen wordt bewaard, mag de slagboorfunctie in eerste instantie niet worden gebruikt, omdat de smering is verhard.

Het gereedschap opwarmen

1. Steek een boor of beetel in het gereedschap en vergrendel het inzetgereedschap.
2. Bedien de AAN/UIT-schakelaar en oefen gedurende enkele seconden kracht uit op de boor of de beetel tegen een betonnen of houten oppervlak. Laat de AAN/UIT-schakelaar los.
3. Herhaal dit tot de slagboorfunctie van het gereedschap functioneert. Hoe kouder het gereedschap is, hoe langer het duurt tot het is opgewarmd.

#### **ONE-KEY™**

Lees de meegeleverde snelstarthandleiding of surf naar <http://www.milwaukeetool.com/one-key> om meer te weten te komen over de ONE-KEY functionaliteit van dit werktuig.

Van de App Store of Google Play kunt u de ONE-KEY app downloaden naar uw smartphone. Het testresultaat voldoet aan onze minimumvereisten conform EN 301489-1 / EN 301489-17. Daarnaast geven wij de klanten in deze gebruikshandleiding informatie over het gebruik.

#### **AKKU**

Langere tijd niet toegepaste wisselakku's vóór gebruik altijd naladen.

Een temperatuur boven de 50°C vermindert de capaciteit van de accu. Langdurige verwarming door zon of hitte vermijden.

De aansluitcontacten aan het laadapparaat en de accu schoonhouden.

Voor een optimale levensduur moeten de accu's na het gebruik volledig opgeladen worden.

Voor een zo lang mogelijke levensduur van de accu's dienen deze na het opladen uit het laadtoestel te worden verwijderd. Bij een langere opslag van de accu dan 30 dagen: accu bij ca. 27 °C droog bewaren. accu bij ca. 30 % - 50 % van de laadtoestand bewaren. accu om de 6 maanden opnieuw opladen.

Verbruikte accu's niet in het vuur of bij het huisvuil werpen. Milwauke biedt namelijk een milieuvriendelijke recyclingmethode voor uw oude accu's.

Wisselakku's niet bij metalen voorwerpen bewaren (kortsluitingsgevaar!).

Wisselakku's van het Akku-Systeem M18 alléén met laadapparaten van het Akku-Systeem M18 laden. Geen accu's van andere systemen laden.

Wisselakku's en laadapparaten niet openen en alleen in droge ruimtes opslaan. Tegen vocht beschermen.

**WAARSCHUWING!** Voorkom brand, persoonlijk letsel of materiële schade door kortsluiting en dompel het gereedschap, de wisselaccu en het laadtoestel niet onder in vloeistoffen en waarborg dat geen vloeistoffen in de apparaten en accu's kunnen dringen. Corrosieve of geleidende vloeistoffen zoals zout water, bepaalde chemicaliën, bleekmiddelen of producten die bleekmiddelen bevatten, kunnen een kortsluiting veroorzaken.

Onder extreme belasting of extreme temperaturen kan uit de accu accu-vloeistof lopen. Na contact met accu-vloeistof direct afwassen met water en zeep. Bij oogcontact direct minstens 10 minuten grondig spoelen en onmiddellijk een arts raadplegen.

In de wisselakku-opnameschacht van het laadapparaat mogen géén metaaldeeltjes komen (kortsluitingsgevaar!).

#### **OVERBELASTINGSBEVEILIGING VAN DE ACCU**

Bij overbelasting van de accu door een zeer hoog stroomverbruik, bijv. extreem hoge draaimomenten, klemmen van het gereedschap, plotselinge stilstand of kortsluiting, stopt het elektrische gereedschap gedurende 2 seconden en schakelt dan automatisch uit. Om de accu te resetten, verwijdert u deze uit het apparaat en vervangt u deze.

Onder extreme belastingen wordt de accu te heet. In dit geval knippen alle lampen van de laadweergave totdat de accu afgekoeld is. Na het doven van de laadweergave kunt u weer verder werken. Steek de accu in het laadtoestel om hem weer op te laden en te activeren.

#### **TRANSPORT VAN LITHIUM-IONEN-ACCU'S**

Lithium-ionen-accu's vallen onder de wettelijke bepalingen inzake het transport van gevaarlijke goederen.

Voor het transport van deze accu's moeten de lokale, nationale en internationale voorschriften en bepalingen in acht worden genomen.

Verbruikers mogen deze accu's zonder meer over de weg transporteren.

Het commerciële transport van lithium-ionen-accu's door expeditiebedrijven is onderhevig aan de bepalingen inzake het transport van gevaarlijke goederen. De verzendingsvoorbereidingen en het transport mogen uitsluitend worden uitgevoerd door dienovereenkomstig opgeleide personen. Het complete proces moet vakkundig worden begeleid.



Onderstaande punten moeten bij het transport van accu's in acht worden genomen:

Waarborg ter vermindering van kortsluitingen dat de contacten beschermd en geïsoleerd zijn.

Let op dat het accupack in de verpakking niet kan verschuiven.

Beschadigde of lekkende accu's mogen niet worden getransporteerd.

Neem voor meer informatie contact op met uw expeditiebedrijf.

### VOORGESCHREVEN GEBRUIK VAN HET SYSTEEM

De boorhamer is universeel inzetbaar voor hamerboren en hakken in steen en beton.

### ONDERHOUD

Voor alle werkzaamheden aan de apparat de accu verwijderen.

Altijd de luchtspleten van de machine schoonhouden.

Gebruik uitsluitend Milwaukee toebehoren en onderdelen. Indien componenten die moeten worden vervangen niet zijn beschreven, neem dan contact op met een officieel Milwaukee servicecentrum (zie onze lijst met servicecentra).

Onder vermelding van het nummer op het machineplaatje is desgewenst een doorsnedetekening van de machine verkrijgbaar bij: Techtronic Industries GmbH, Max-Eyth-Straße 10, 71364 Winnenden, Germany.

### EC - VERKLARING VAN OVEREENSTEMMING

We verklaren geheel onder eigen verantwoordelijkheid dat het product in de "Technische data" voldoet aan alle relevante bepalingen van de richtlijnen

2011/65/EU (RoHS)

2006/42/EG

2014/53/EU

en de volgende geharmoniseerde normen zijn gebruikt.

EN 60745-1:2009 + A11:2010

EN 60745-2-6:2010

EN 55014-1:2017+A11:2020

EN 55014-2:2015

EN IEC 63000:2018

EN 301 489-1 V2.2.3

EN 301 489-17 V3.1.1

EN 300 328 V2.2.2

EN 62479:2010



Winnenden, 2020-11-30

Alexander Krug / Managing Director

Gemachtigd voor samenstelling van de technische documenten

Techtronic Industries GmbH

Max-Eyth-Straße 10, 71364 Winnenden, Germany

### SYMBOLEN



OPGELET! WAARSCHUWING! GEVAAR!



Voor alle werkzaamheden aan de apparat de accu verwijderen.



Graag instructies zorgvuldig doorlezen vóóordat u de machine in gebruik neemt.



Toebehoren - Wordt niet meegeleverd. Is apart leverbaar. Zie hiervoor het toebehorenprogramma.



ANTI-vibratiesysteem



Geen kracht uitoefenen.



Bij het werken met de machine altijd een veiligheidsbril dragen.



Draag oorbeschermers.



Dit apparaat heeft een type knoopcel-lithiumbatterij.



Elektrische apparaten, batterijen en accu's mogen niet via het huisafval worden afgevoerd. Elektrische apparaten en accu's moeten gescheiden worden verzameld en voor een milieuvriendelijke afvoer worden afgegeven bij een recyclingbedrijf. Informeer bij uw gemeente of bij uw vakhandelaar naar recyclingbedrijven en inzamelpunten.

n<sub>0</sub>

Onbelast toerental

V

Spanning



Gelijkstroom



Europees symbool van overeenstemming



Brits symbool van overeenstemming



Oekraïens symbool van overeenstemming



Euro-Aziatisch symbool van overeenstemming

TEKNISKE DATA	M18 FHM
<b>Akku borehammer</b>	
Produktionsnummer	4696 96 02... ... 000001-999999
Frekvensbånd	2402-2480 MHz
Radiofrekvenseffekt	1,8 dBm
Udskiftningsbatteriets spænding	18 V
Omdrejningstal, ubelastet	380 min <sup>-1</sup>
Slagantal belastet maks.	2900 min <sup>-1</sup>
Enkelt slagstyrke iht. EPTA Procedure 05/2009	11 J
Halsdiameter	66 mm
Bor-ø i beton	45 mm (SDS-max)
Tunnelbor i beton, tegl og kalksandsten	65 mm (SDS-max)
Hulborekrone i beton, tegl og kalksandsten	150 mm (SDS-max)
Vægt svarer til EPTA-procedure 01/2014 (Li-Ion 5,0 Ah ... 12,0 Ah)	9,7 ... 10,4 kg
Anbefalet omgivelsestemperatur til driften	-18 °C ... +50 °C
Anbefalede batteripakker	M18B5 – M18HB12
Anbefalede opladere	M12-18...
<b>Støjinformation</b>	
Måleværdier beregnes iht. EN 60745. Værktøjets A-vurderede støjniveau er typisk:	
Lydtrykniveau (Usikkerhed K=3dB(A))	96,5 dB (A)
Lydeffekt niveau (Usikkerhed K=3dB(A))	107,5 dB (A)
<b>Brug høreværn!</b>	
<b>Vibrationsinformation</b>	
Samlede vibrationsværdier (værdisum for tre retninger) beregnet iht. EN 60745.	
Hammerboring i beton	
Vibrationseksponering $a_{h,HD}$	9,4 m/s <sup>2</sup>
Usikkerhed K=	1,5 m/s <sup>2</sup>
Mejsle:	
Vibrationseksponering $a_{h,ChEQ}$	9,4 m/s <sup>2</sup>
Usikkerhed K=	1,5 m/s <sup>2</sup>



## ADVARSEL!

Svingningsniveauet, som er angivet i disse anvisninger, er målt i henhold til standardiseret måleprocedure ifølge EN 60745 og kan anvendes til indbyrdes sammenligning mellem el-værktøjer. Svingningsniveauet er ligeledes egnet som foreløbigt skøn over svingningsbelastningen.

Det angivne svingningsniveau er baseret på el-værktøjets primære anvendelsesformål. Hvis el-værktøjet benyttes til andre formål, med andet indsatsværktøj eller ikke vedligeholdes tilstrækkeligt, kan svingningsniveauet afvige. Dette kan øge svingningsbelastningen over den samlede arbejdsperiode betydeligt.

For en nøjagtig vurdering af svingningsbelastningen skal der også tages højde for de tidsperioder, hvor apparatet er slukket, eller hvor apparatet kører, men uden at være i anvendelse. Dette kan reducere svingningsbelastningen over den samlede arbejdsperiode betydeligt.

Supplerende sikkerhedsforanstaltninger til beskyttelse af brugeren mod påvirkninger fra svingninger skal iværksættes, f.eks.: Vedligeholdelse af el-værktøj og indsatsværktøj, varmholdelse af hænder, organisering af arbejdsprocesser.

**⚠ ADVARSEL! Læs alle sikkerhedsanvisninger og øvrige vejledninger.** I tilfælde af manglende overholdelse af advarselshenvisningerne og instrukserne er der risiko for elektrisk stød, brand og/eller alvorlige kvæstelser.  
**Opbevar alle advarselshenvisninger og instrukser til senere brug.**

## ⚠ SIKKERHEDSFORSKRIFTER FOR BOREHAMMER

**Bær høreværn.** Støjen kan føre til nedsat hørelse.

**Brug de ekstra håndtag, som følger med apparatet.** Hvis kontrollen mistes, kan det medføre personskaade.

**Hold maskinen fast i de isolerede grebflader, når du udfører arbejde, hvor der er risiko for, at skæreværktøjet kan ramme skjulte strømledninger.** Kommer skæreværktøjet i kontakt med en strømførende ledning, kan maskinens metaldele komme under spænding og give elektrisk stød.

## Yderligere sikkerheds- og arbejdsinformationer

Brug beskyttelsesudstyr. Bær altid sikkerhedsbriller, når du arbejder med maskinen. Vi anbefaler desuden brug af personlig beskyttelsesudrustning, såsom støvmaske, sikkerhedshandsker, fast og skridsikert skotøj, hjelm og høreværn.

Støv, som opstår i forbindelse med fræsearbejdet, er ofte sundhedsskadeligt og må ikke trænge ind i kroppen. Brug en støvsuger og bær egnet støvbeskyttelsesmaske. Fjern grundigt aflejret støv (f.eks. ved opsugning).

Der må ikke bearbejdes nogen materialer, der kan udgøre en sundhedsrisiko (f.eks. asbest).

Ved arbejdsboring i væg, loft eller gulv skal man passe på elektriske kabler, gas- og vandledninger.

Sluk straks for maskinen, hvis indsatsværktøjet er blokeret! Tænd ikke for maskinen igen, så længe indsatsværktøjet er blokeret; dette kan føre til et tilbageslag med højt reaktionsmoment. Find frem til og afhjælp årsagen til indsatsværktøjets blokering under hensyntagen til sikkerhedsinstruktionerne.

Mulige årsager herfor kunne være:

- at det sidder i klemme i emnet der bearbejdes
- Gennembrud af det materiale, som skal bearbejdes
- at el-værktøjet er overbelastet

Grib ikke ind i maskinen, når den kører.

Indsatsværktøjet kan blive varmt under brugen.

**ADVARSEL!** Fare for forbrændinger

- ved værktøjskift
- når man lægger maskinen fra sig

Spåner eller splinter må ikke fjernes, medens maskinen kører.

Sørg for at sikre dit emne med en spændeanordning. Ikke sikrede emner kan forårsage alvorlige kvæstelser og beskadigelser.

Ved arbejde inden i maskinen, bør batteriet tages ud.

#### **ADVARSEL**

 Dette apparat indeholder et knapcelle litium batteri. Et nyt eller brugt batteri kan forårsage alvorlige indre forbrændinger og medføre døden på kun 2 timer, hvis det sluges eller kommer ind i kroppen. Batterihusets lukning skal altid være sikret. Hvis det ikke lukkes sikkert, stop apparatet, fjern batteriet og hold det udenfor børns rækkevidde. Hvis du har mistanke om, at nogen har slugt batteriet eller at det er kommet ind i kroppen på anden måde, skal du opsøge en læge med det samme.

#### **BETJENING**

##### **Kold start**

Hvis dette værktøj opbevares i en længere periode eller ved kolde temperaturer, kan det muligvis ikke hamre i starten, fordi smøremidlet er stivnet.

Opvarmning af værktøjet

1. Indsæt og lås en bit eller en mejsl ind i værktøjet.
2. Tryk på startknappen og udøv kraft på bittens eller mejslens mod en beton- eller træoverflade i et par sekunder. Giv slip på startknappen.
3. Gentag, indtil værktøjet begynder at hamre. Jo koldere værktøjet er, jo længere vil det tage at varme op.

#### **ONE-KEY™**

For at læse mere om dette værktøjs ONE-KEY-funktion, læs venligst den medfølgende hurtiganvisning, eller besøg os på <http://www.milwaukeeetool.com/one-key>

Du kan downloade ONE-KEY-app'en til din smartphone fra App Store eller Google Play. Kontrolresultatet opfylder vores minimumskrav iht. EN 301489-1 / EN 301489-17. Og vi sørger for, at kunden får driftsvejledningen som del af vores brugervejledning.

#### **BATTERI**

Udskiftningsbatterier, der ikke har været brugt i længere tid, efterlades inden brug.

Ved temperaturer over 50°C forminskes batteriets effekt. Undgå direkte sollys og stærk varme.

Tilslutningskontakterne på oplader og udskiftningsbatterier skal holdes rene.

For at opnå en optimal levetid skal de genopladelige batterier oplades fuldt efter brug.

For at sikre en så lang levetid som muligt skal batterierne tages ud af ladeaggregatet efter opladning. Skal batterierne opbevares længere end 30 dage: Temperatur ca. 27°C i tørre omgivelser. Opbevares ved ca. 30%-50% af ladeetilstanden. Batteri skal genoplades hver 6. måned. Opbrugte udskiftningsbatterier må ikke brændes eller kasseres sammen med alm. husholdningsaffald. Milwaukee har en miljørigtig bortskaftelse af gamle udskiftningsbatterier, henvend Dem til Deres forhandler.

Opbevar ikke udskiftningsbatterier sammen med metalgenstande af fare for kortslutning.

Brug kun M18 ladeapparater for opladning af System M18 batterier.

Udskiftningsbatterier og opladere må ikke åbnes og skal opbevares i tørre rum. Beskyt dem mod fugtighed.

**ADVARSEL!** For at undgå risiko for brand, kvæstelser eller beskadigelse af produktet forårsaget af kortslutning på værktøjet, batteripakken eller opladeren ikke nedsænkes i vand. Sørg ligeledes for, at der ikke trænger væske ind i enhederne og batterierne. Korroderende eller ledende væsker, f.eks. saltvand, bestemte kemikalier, blegestoffer eller produkter, som indeholder blegestoffer, kan forårsage kortslutning.

I tilfælde af en ekstrem belastning eller ekstrem temperatur kan der flyde batterivæske ud af et beskadiget batteri. Hvis De kommer i berøring med batterivæsken, skal den vaskes godt og grundigt af med vand og sæbe. I tilfælde af øjenkontakt, skal man mindst skylle øjnene godt og grundigt igennem i 10 minutter og omgående opsøge en læge.

Metaldele o.lign må ikke komme i berøring med rummet beregnet for udskiftningsbatteriet (kortslutningsfare).

#### **OVERBELASTNINGSSIKRING FOR BATTERI**

Ved overbelastning af akkumulatoren på grund af et meget højt strømforbrug, f.eks. ekstremt høje drejningsmomenter, klemning af det indsatte værktøj, pludseligt stop eller kortslutning, stopper el-værktøjet i 2 sekunder og slukker automatisk. For at nulstille, skal batteripakken fjernes fra værktøjet og udskiftes.

Ved ekstreme belastninger bliver batteriet for varmt. I så fald blinker alle lamper på ladeindikatoren, indtil batteriet er kølet af. Når ladeindikatoren går ud, kan arbejdet genoptages. Sæt batteriet i ladeadapteren for at genoplade det og aktivere det.

#### **TRANSPORT AF LITHIUM-BATTERIER**

Lithium-batterier er omfattet af lovgivningen om transport af farligt gods.

Transporten af disse batterier skal ske under overholdelse af lokale, nationale og internationale regler og bestemmelser.

Forbrugere må transportere disse batterier på veje uden yderligere krav.

Den kommercielle transport af lithium-batterier ved speditjonsfirmaer er omfattet af reglerne for transport af farligt gods. Forberedelsen af forsendelse og transport må kun udføres af tilsvarende trænedte personer. Den samlede proces skal følges af fagfolk.

Følgende punkter skal overholdes ved transport af batterier:

Sørg for at kontakterne er beskyttet og isoleret for at forhindre kortslutninger.

Sørg for at batteripakken ikke kan bevæge sig inden for emballagen. Beskadigede eller lækkelige batterier må ikke transporteres.

Kontakt dit speditjonsfirma for at få yderligere oplysninger.

## TILTÆNKT FORMÅL

Borehammeren kan bruges universelt til hammerboring og mejsling i sten og beton.

## VEDLIGEHOLDELSE

Ved arbejde inden i maskinen, bør batteriet tages ud.

Hold altid maskinens ventilationsåbninger rene.

Brug kun Milwaukee-tilbehør og Milwaukee-reservedele. Komponenter, hvor udsiftningsproceduren ikke er beskrevet, skal skiftes ud hos et Milwaukee-servicecenter (se brochure garanti/kundeserviceadresser).

Ved opgivelse af type nr. der er angivet på maskinens effektskilt, kan de rekvirere en reservedelstegning, ved henvendelse til: Techtronic Industries GmbH, Max-Eyth-Strasse 10, 71364 Winnenden, Germany.

## CE-KONFORMITETSERKLÆRING

Vi erklærer som eneansvarlige, at produktet, som beskrives under „Tekniske data“, opfylder alle de relevante bestemmelser i direktiverne 2011/65/EU (RoHS)

2006/42/EF

2014/53/EU

og følgende harmoniserede standarder er blevet anvendt.

EN 60745-1:2009 + A11:2010

EN 60745-2-6:2010

EN 55014-1:2017+A11:2020

EN 55014-2:2015

EN IEC 63000:2018

EN 301 489-1 V2.2.3

EN 301 489-17 V3.1.1

EN 300 328 V2.2.2

EN 62479:2010



Winnenden, 2020-11-30

Alexander Krug / Managing Director

Autoriseret til at udarbejde de tekniske dokumenter.

Techtronic Industries GmbH

Max-Eyth-Strasse 10, 71364 Winnenden, Germany

## SYMBOLER



VIGTIGT! ADVARSEL! FARE!



Ved arbejde inden i maskinen, bør batteriet tages ud.



Læs brugsanvisningen nøje før ibrugtagning.



Tilbehør - Ikke inkluderet i leveringsomfanget, køb købes som tilbehør.



ANTI vibrationssystem



Brug ikke kraft.



Når der arbejdes med maskinen, skal man have beskyttelsesbriller på.



Bær høreværn.



Dette apparat indeholder et knapcelle litium batteri.



Elektrisk udstyr eller (genopladelige) batterier må ikke bortskaffes sammen med det almindelige husholdningsaffald. Elektrisk udstyr og genopladelige batterier skal indsamles særskilt og afleveres hos en genbrugsvirksomhed til en miljømæssig forsvarlig bortskaffelse. Spørg de lokale myndigheder eller din forhandler om genbrugsstationer og indsamlingssteder til sådant affald.

$n_0$

Omdrejningstal, ubelastet

V

Spænding



Jævnstrøm



Europæisk konformitetsmærke



Britisk konformitetsmærke



Ukrainsk konformitetsmærke

001



Eurasisk konformitetsmærke



TEKNISKE DATA	M18 FHM
<b>Batteridrevet borhammer</b>	
Produksjonsnummer	4696 96 02... ... 000001-999999
Frekvensbånd	2402-2480 MHz
Sendeeffekt	1,8 dBm
Spenning vekselbatteri	18 V
Tomgangsturtall	380 min <sup>-1</sup>
Lastslagtall maks.	2900 min <sup>-1</sup>
Enkeltslagstyrke tilsvarende EPTA-Procedure 05/2009	11 J
Spennhals-ø	66 mm
Bor-ø i betong	45 mm (SDS-max)
Tunnelbor i betong, tegl og kalkstein	65 mm (SDS-max)
Hulborkrone i betong, tegl og kalkstein	150 mm (SDS-max)
Vekt i henhold til EPTA-Prosedyren 01/2014 (Li-Ion 5,0 Ah ... 12,0 Ah)	9,7 ... 10,4 kg
Anbefalt omgivelsestemperatur for drift	-18 °C ... +50 °C
Anbefalte batteripakker	M18B5 – M18HB12
Anbefalte ladere	M12-18...
<b>Støyinformasjon</b>	
Måleverdier fastslått i samsvar med EN 60745. Det typiske A-bedømte støynivået for maskinen er: Lydtrykknivå (Usikkerhet K=3dB(A)) Lydeffektnivå (Usikkerhet K=3dB(A))	96,5 dB (A) 107,5 dB (A)
<b>Bruk hørselsvern!</b>	
<b>Vibrasjonsinformasjoner</b>	
Totale svingningsverdier (vektorsum fra tre retninger) beregnet jf. EN 60745.	
Hammerboring i betong	
Svingningsemisjonsverdi $a_{h, HD}$	9,4 m/s <sup>2</sup>
Usikkerhet K=	1,5 m/s <sup>2</sup>
Meisling:	
Svingningsemisjonsverdi $a_{h, Cheq}$	9,4 m/s <sup>2</sup>
Usikkerhet K=	1,5 m/s <sup>2</sup>



#### ADVARSEL!

Svingningsnivået som er angitt i denne instruksjonen er målt i overensstemmelse med målemetoden normert i direktiv EN 60745 og kan brukes til å sammenligne elektromaskiner med hverandre. Den egner seg også for en foreløbig vurdering av svingningsbelastningen.

Det angitte svingningsnivået representerer de hovedsaklige bruk av elektroverktøyet. Men anvendes elektroverktøyet for andre bruk med avvikende utskiftbare verktøy eller vedlikeholdet er utilstrekkelig, kan svingningsnivået være avvikende.

Dette kan forhøye svingningsbelastning betydelig over hele arbeidsperioden. For en nøyaktig vurdering av svingningsbelastningen må også det tas hensyn til tiden apparatet er avslått eller står på, men ikke er i bruk. Dette kan redusere svingningsbelastningen betydelig over hele arbeidsperioden.

Innfør også ekstra sikkerhetstiltak for å beskytte bruker mot utvirkingen av svingningene. Disse kan f.eks. være: vedlikehold av elektroverktøyet og det utskiftbare verktøyet, holde hendene varme, organisasjon av arbeidsforløpet.

**⚠ ADVARSEL! Les alle sikkerhetsinstruksjoner og bruksanvisninger.** Feil ved overholdelsen av advarslene og nedenstående anvisninger kan medføre elektriske støt, brann og/eller alvorlige skader.  
**Ta godt vare på alle advarslene og informasjonene.**

#### ⚠ SIKKERHETSINSTRUKSJONER FOR BORHAMMER

**Bruk hørselsvern.** Støy kan føre til tap av hørselen.

**Bruk de med apparatet medleverte tileggshandtak.** Tap av kontrollen kan føre til skader.

**Hold apparatet i de isolerte holdeflatene, når det arbeides på steder hvor elektroverktøyet kan treffe skjulte strømledninger.** Kontakt med en ledning som er under spenning, kan også sette metalldele til apparatet under spenning og føre til et elektrisk slag.

#### Ytterlige sikkerhets- og arbeidsinstruksjoner

Bruk vernebekledning. Ta alltid på vernebrille ved bruk av maskinen. Vernebekledning så vel som støvmaske, vernehansker, fast og sklissikkert skotøy, hjem og hørselsvern er anbefalt.

Støv som oppstår under arbeidet er ofte helsefarlig og bør ikke komme inn i kroppen. Bruk støvavsug og i tillegg egnete støvbeskyttelsesmaske. Fjern oppsamlet støv grundig, f.eks. oppsuging.

Materialer som er helsefarlig skal ikke bearbeides (f.eks.. asbest)



Pass på kabler, gass- og vannledninger når du arbeider i vegger, tak eller gulv.

Slå av apparatet med en gang dersom det isatte verktøyet er blokkert! Ikke slå apparatet på igjen så lenge det isatte verktøyet er blokkert; her kan det oppstå et tilbakeslag med høyt reaksjonsmoment. Finn ut hvorfor det isatte verktøyet blokkerer og fjern årsaken til dette. Ta herved hensyn til sikkerhetsinstruksene.

Mulige årsaker kan være:

- det har forkantet seg i arbeidsemnet som bearbeides
- Gjennombrytning av materialet som bearbeides
- elektroverktøyet er overbelastet

Ikke grip inn i maskinen når den står på og går.

Isatt verktøy kan i bruk bli veldig varmt.

**ADVARSEL!** Fare for forbrenning

- ved skifting av verktøy
- når apparatet legges ned

Spon eller fliser må ikke fjernes mens maskinen er i gang.

Klem fast arbeidsemnet med en spenninnetning. Ikke sikrede arbeidsemner kan ha alvorlige helseskader og skader av material til følge.

Ta ut vekselbatteriet før du arbeider på maskinen

#### ADVARSEL



Apparatet bruker knapp/myntcelle lithiumbatteri. Et nytt eller brukt batteri kan forårsake indre forbrenninger eller døden innen kun 2 timer, dersom det svelges eller kommer inn i kroppen på annen måte. Dekslet til batteriboksen må alltid være sikret. Dersom det ikke er mulig å lukke boksen helt, stopp apparatet, fjern batteriet og oppbevare det utilgjengelig for barn. Dersom du har mistanke om, at noen har svelget batteriet eller at det på annen måte har kommet inn i kroppen, må du søke medisinsk hjelp umiddelbart.

#### BRUK

##### Kaldstart

Hvis dette verktøyet lagres i en lengre periode eller ved kalde temperaturer, kan det ikke hamre med en gang fordi smøringen er blitt stiv.

Å varme opp verktøyet

1. Sett inn og lås en krone eller meisel i verktøyet.
2. Trekk i startbryteren og bruk kraft på kronen eller meiselen mot en betong- eller treoverflate i noen sekunder. Slipp startbryteren.
3. Gjenta til verktøyet begynner å hamre. Jo kaldere verktøyet er, desto lenger tid vil det ta å varme det opp.

#### ONE-KEY™

Du kan lese mer om verktøyet ONE-KEY funksjonalitet på vedlagte hurtigstartanvisning eller besøk vår nettside på <http://www.milwaukeetool.com/one-key>.

Du kan også laste ned vår ONE-Key app til din smarttelefon fra App Store eller Google Play. Testen oppfyller våre minimumskrav i henhold til EN 301489-1 / EN 301489-17. Og vi kommer til å gi kunden en driftsveiledning i bruksanvisningen.

#### BATTERIER

Vekselbatterier som ikke er brukt over lengre tid skal etterlades før bruk.

En temperatur over 50°C reduserer vekselbatteriets kapasitet. Unngå oppvarming i sol eller ved varmeovner (fyring) i lengre tid.

Hold tilkopplingskontaktene på lader og vekselbatteri rene.

For optimal holdbarhet må batteriene lades opp helt etter bruk.

For å sikre en lengst mulig brukstid av batteriene skal disse etter oppladning taes ut av laderen. Ved lagring av batteriene lengre enn 30 dager: Lagre batteriet tørt ved ca. 27°C. Lagre batteriet ved en oppladningsstilstand på ca. 30%-50%. Lade opp batteriet igjen etter 6 måneder.

Ikke kast brukte vekselbatterier i varmen eller husholdningsavfall. Milwaukee tilbyr en miljøriktig deponering av gamle vekselbatterier; vennligst spør din fagforhandler.

Ikke oppbevar vekselbatterier sammen med metallgjenstander (kortslutningsfare).

Vekselbatterier av systemet M18 skal kun lades med lader av systemet M18. Ikke lad opp batterier fra andre systemer.

Ikke åpne vekselbatterier og ladere, de skal oppbevares i tørre rom. Beskyttes mot fuktighet.

**ADVARSEL!** For å unngå fare for en brann forårsaket av en kortslutning, av personskader eller skader av produktet, må det forhindres at batteripakken eller laderen dryppes i væsker og også sørges for at ingen væsker kan komme inn i apparatene eller batteriene. Korroderende og ledende væsker som saltvann, visse kjemikalier og blekemidler eller produkt som inneholder blekemidler kan forårsake en kortslutning.

Under ekstreme belastninger og ekstreme temperaturer kan det lekke ut batterivæske fra utskiftbare batterier. Ved berøring med batterivæske, vask umiddelbart med såpe og vann. Ved kontakt med øynene må øynene skylles grundig i rennende vann i minst 10 minutter. Oppsøk lege umiddelbart.

Metalldeleer må ikke komme inn i innskynningssjakten for vekselbatterier på ladere (kortslutningsfare).

#### OVERBELASTNINGSVERN FOR OPPLADBARE BATTERIER

Ved overbelastning av det oppladbare batteriet på grunn av svært høyt strømforbruk f.eks. ved ekstremt høye dreiemomenter, hekking av verktøy som monteres på, plutselige stopp eller kortslutning, stopper elektroverktøyet i 2 sekund og så slår det seg selvstendig av. For å tilbakesille, fjern batteripakken fra verktøyet og erstatt det.

Ved ekstreme belastninger opphører det oppladbare batteriet seg for sterkt. I slike tilfeller blinker alle lampene på displayet til batteriet er avkjølt. Når lampene har sluttet å blinke, kan man fortsette å arbeide. Sett batteriet da i laderen for å få det oppladet og aktivert igjen

#### TRANSPORT AV LITIUM-ION-BATTERI

Litium-ion-batterier faller under de lovfestede forskriftene om transport av farlig gods.

Transporten av disse batteriene må rette seg etter lokale, nasjonale og internasjonale forskrifter og bestemmelser.

Forbruker har lov å transportere disse batteriene på gaten uten reglementering.

Den kommersielle transport av Litium-ion-batterier av spedisjonsfirma faller under bestemmelsene om transport av farlig gods. Forberedningene av forsendelsen og transport skal utelukkende gjennomføres av personer som har blitt skolert til dette. Hele prosessen skal følges opp av fagfolk.

Følgende punkter skal tas hensyn til ved transport:

Kontroller at kontaktene er beskyttet og isolert for å unngå kortslutninger.

Pass på at batteripakken i forpakningen ikke kan skli fram og tilbake.

Skadede eller batterier som lekker er det ikke lov å transportere.

Ta kontakt med spedisjonsfirma for ytterligere henvisninger.



## FORMÅLSMESSIG BRUK

Borhammeren kan brukes universelt til hammerboring og meising i steinarter og betong.

## VEDLIKEHOLD

Ta ut vekselbatteriet før du arbeider på maskinen

Hold alltid lufteåpningene på maskinen rene.

Bruk kun Milwaukee tilbehør og Milwaukee reservedeler. Komponenter der utskiftning ikke er beskrevet skal skiftes ut hos Milwaukee kundeservice (se brosjyre garanti/kundeserviceadresser).

Ved behov kan du be om en eksplosjonstegning av apparatet hos din kundeservice eller direkte hos Techtronic Industries GmbH, Max-Eyth-Straße 10, 71364 Winnenden, Germany. Oppgi maskintype og det nummeret på typeskiltet.

## CE-SAMSVARSEKLÆRING

Vi erklærer i alene ansvar at produktet beskrevet i „Teknisk data“ overensstemmer med alle relevante forskrifter til EU direktiv 2011/65/EU (RoHS)

2006/42/EC

2014/53/EU

og de følgende harmoniserte normative dokumentene. Fyrstikker

EN 60745-1:2009 + A11:2010

EN 60745-2-6:2010

EN 55014-1:2017+A11:2020

EN 55014-2:2015

EN IEC 63000:2018

EN 301 489-1 V2.2.3

EN 301 489-17 V3.1.1

EN 300 328 V2.2.2

EN 62479:2010



Winnenden, 2020-11-30

Alexander Krug / Managing Director

Autorisert til å utarbeide den tekniske dokumentasjonen

Techtronic Industries GmbH

Max-Eyth-Straße 10, 71364 Winnenden, Germany

## SYMBOLER



OBS! ADVARSEL! FARE!



Ta ut vekselbatteriet før du arbeider på maskinen



Les nøye gjennom bruksanvisningen før maskinen tas i bruk.



Tilbehør - inngår ikke i leveransen, anbefalt komplettering fra tilbehørsprogrammet.



ANTI-vibrasjonssystem



Ikke bruk kraft.



Bruk alltid vernebrille når du arbeider med maskinen.



Bruk hørselsvern.



Apparatet bruker knapp/myntcelle lithiumbatteri.



Elektriske apparater, batterier/oppladbare batterier skal ikke kastes sammen med vanlig husholdningsavfall. Elektriske og elektroniske apparater og oppladbare batterier skal samles separat og leveres til miljøvennlig deponering hos en avfallsbedrift. Informer deg hos myndighetene på stedet eller hos din fagforhandler hvor det finnes recycling bedrifter og oppsamlingssteder.

n<sub>0</sub>

V

Tomgangsturtall

Spenning



Likestrøm



Europeisk samsvarsmerke



Britisk samsvarsmerke



Ukrainsk samsvarsmerke

001



Euroasiatisk samsvarsmerke



Nor

TEKNISKA DATA	M18 FHM
<b>Batteridrivna borrhammare</b>	
Produktionsnummer	4696 96 02... ... 000001-999999
Frekvensband	2402-2480 MHz
Radiofrekvenseffekt	1,8 dBm
Batterispänning	18 V
Tomgångsvarvtal, obelastad	380 min <sup>-1</sup>
Belastat slagtal max.	2900 min <sup>-1</sup>
Enkelslagstyrka enligt EPTA Procedure 05/2009	11 J
Maskinhals diam.	66 mm
Borrdiam. in betong	45 mm (SDS-max)
Tunnelborrning i betong, tegel och kalksandsten	65 mm (SDS-max)
Borrkronor i betong, tegel och kalksandsten	150 mm (SDS-max)
Vikt enligt EPTA 01/2014 (Li-Ion 5,0 Ah ... 12,0 Ah)	9,7 ... 10,4 kg
Rekommenderad omgivningstemperatur för driften	-18 °C ... +50 °C
Rekommenderade batterier (Akkupacks)	M18B5 – M18HB12
Rekommenderade laddare	M12-18...
<b>Bullerinformation</b>	
Mätvärdena har tagits fram baserade på EN 60745. A-värdet av maskinens ljudnivå utgör:	
Ljudtrycksnivå (Onoggrannhet K=3dB(A))	96,5 dB (A)
Ljudeffektsnivå (Onoggrannhet K=3dB(A))	107,5 dB (A)
<b>Använd hörselskydd!</b>	
<b>Vibrationsinformation</b>	
Totala vibrationsvärden (vektorsumma ur tre riktningar) framtaget enligt EN 60745.	
Hammarborrning i betong	
Vibrationsemissionsvärde a <sub>h,HD</sub>	9,4 m/s <sup>2</sup>
Onoggrannhet K=	1,5 m/s <sup>2</sup>
Mejsla:	
Vibrationsemissionsvärde a <sub>h,Cheq</sub>	9,4 m/s <sup>2</sup>
Onoggrannhet K=	1,5 m/s <sup>2</sup>



### VARNING!

Den i de här anvisningarna angivna vibrationsnivån har uppmätts enligt ett i EN 60745 normerat mätförfarande och kan användas vid jämförelse mellan olika elverktyg. Nivån är även lämplig att använda vid en preliminär bedömning av vibrationsbelastningen.

Den angivna vibrationsnivån representerar den huvudsakliga användningen av det aktuella elverktyget. Men om elverktyget ska användas i andra användningsområden, tillsammans med avvikande insatsverktyg eller efter otillräckligt underhåll, kan vibrationsnivån skilja sig. Det kan öka vibrationsbelastningen betydligt under hela arbetstiden.

För att få en exaktare bedömning av vibrationsbelastningen ska även den tid beaktas, under vilken elverktyget är avstängt eller är påslaget, utan att det verkligen används. Det kan reducera vibrationsbelastningen betydligt under hela arbetstiden.

Lägg som skydd för användaren fast extra säkerhetsåtgärder mot vibrationernas verkan, som till exempel: underhåll av elverktyg och insatsverktyg, varmhållning av händer och organisering av arbetsförlopp.

**⚠ VARNING! Läs alla säkerhetsanvisningar och andra tillhörande anvisningar.** Fel som uppstår till följd av att anvisningarna nedan inte följts kan orsaka elstöt, brand och/eller allvariga kroppsskador.

**Förvara alla varningar och anvisningar för framtida bruk.**

### ⚠ SÄKERHETSANVISNINGAR FÖR BORRHAMMARE

**Bär hörselskydd.** Buller kan leda till att du förlorar hörseln.

**Använd de extrahandtag som levereras tillsammans med maskinen.** Förlust av kontrollen kan leda till personskador.

**Håll fast apparaten med hjälp av de isolerade greppytorna när du utför arbeten där arbetsverktyget skulle kunna träffa på dolda elledningar.** Om man kommer i kontakt med en spänningsförande ledning, så kan även de delar på verktyget som är av metall bli spänningsförande och leda till att man får en elektrisk stöt.

### Övriga säkerhets- och användningsinstruktioner

Använd skyddsutrustning. Använd alltid skyddsglasögon när du använder maskinen. Som skyddsutrustning rekommenderar vi t.ex. en dammskyddsmask, skyddshandskar, stabila och halksäkra skor, hjälm och hörselskydd.

Dammet som uppkommer vid arbeten med denna maskin kan vara skadligt för hälsan om de når kroppen. Använd ett utsugningssystem och bär skyddsmask. Avlägsna kvarblivande damm med t.ex. en dammsugare.

Det är inte tillåtet att bearbeta material som kan vara hälsovådligt (t.ex. asbest).

Vid arbetenborrnig i vägg, tak eller golv, var alltid observant på befintliga el-, gas- eller vattenledningar.

Stäng av maskinen omedelbart om ett verktyg som används sitter fast! Sätt sedan inte på maskinen igen så länge som verktyget som används fortfarande sitter fast; risk för okontrollerade slag med högt reaktionsmoment. Ta reda på orsaken varför verktyget fastnade och åtgärda orsaken med hänsyn till säkerhetsanvisningarna.

Möjliga orsaker kann vara:

- Verktyget sitter snett i arbetsstycket
- Materialet som ska bearbetas har gått sönder
- Elverktyget är överbelastat

Gå aldrig med händerna in i en maskin som är igång.

Verktyget som används kan bli mycket varmt under användningen.

**WARNING!** Risk för brännskador


- vid verktygsbyte
- när man lägger ifrån sig maskinen

Avlägsna aldrig spån eller flisor när maskinen är igång.

Säkra arbetsstycket med en fastspänningsanordning. Arbetsstycken som inte är ordentligt fastspända kan leda till allvarlig kroppsskada eller annan skada.

Drag ur batteripaket innan arbete utföres på maskinen.

#### **WARNING**

 Denna anordning innehåller ett litium knappcells batteri. Ett nytt eller använt batteri kan orsaka allvarliga inre brännskador och leda till döden på endast 2 timmar om det sväljs eller kommer in i kroppen. Säkra alltid batterifackets lock. Om det inte stänger ordentligt, stanna anordningen, ta ut batteriet och håll det utom räckhåll för barn. Uppsök omedelbart läkare om du tror att någonting har svält batteriet eller det har kommit in i kroppen på annat sätt.

#### **DRIFT**

##### **Kallstart**

Om detta verktyg lagras under en lång tid eller vid kalla temperaturer, kan det hända att det inte hamrar till att börja med eftersom smörjningen har blivit styv.

Hur man värmer upp verktyget

1. Sätt i och lås ett skär eller en mejsel i verktyget.
2. Tryck på **-AV-**knappen och utöva kraft på skäret eller mejseln mot en betong- eller träyta under några sekunder. Släpp på **-AV-**knappen.
3. Upprepa tills verktyget börjar hamra. Ju kallare verktyget är, desto längre tid tar dess uppvärmning.

#### **ONE-KEY™**

Läs medföljande snabbvägledning eller besök oss på Internet på <http://www.milwaukeeetool.com/one-key>, för att få reda på mer om ONE-KEY-funktionen hos det här verktyget.

Du kan ladda ner ONE-KEY-appen till din smarttelefon via App Store eller Google Play. Provet resultatet uppfyller våra minimikrav enligt EN 301489-1 / EN 301489-17. Och vi kommer att ge kunden en handledning för drift i bruksanvisningen.

#### **BATTERIER**

Batteri som ej använts på länge måste laddas före nytt bruk.

En temperatur över 50°C reducerar batteriets effekt. Undvik längre uppvärmning tex i solen eller nära ett element.

Se till att anslutningskontaktarna i laddaren och på batteriet är rena.

För att batterierna ska få lång livslängd ska de laddas fulla efter användning.

För att få en så lång livslängds som möjligt bör laddningsbara batterier avlägsnas från laddaren när de är laddade. Om laddningsbara batterier lagras längre än 30 dagar: Lagra batteriet torrt och vid ca 27°C. Lagra batteriet vid ca 30%-50% av laddningskapaciteten. Ladda batterierna på nytt var 6:e månad.

Kasta inte förbrukade batterier. Lämna dem till Milwaukee Tools för återvinning.

Förvara ej batteriet ihop med metallföremål, kortslutning kan uppstå.

System M18 batterier laddas endast i System M18 laddare. Ladda inte batterier från andra system.

Batterier lagras torrt och skyddas för fukt.

**WARNING!** För att undvika den fara för brand, personskador eller produktsskador som orsakas av en kortslutning, doppa inte ner verktyget, utbytesbatteriet eller laddaren i vätskor och se till att ingen vätska kan tränga in i apparaterna eller batterierna. Korroderande eller ledande vätskor, som saltvatten, vissa kemikalier, blekningsmedel eller produkter som innehåller blekmedel, kan orsaka en kortslutning.

Under extrem belastning eller extrem temperatur kan batterivätska tränga ut ur skadade utbytesbatterier. Vid föröring med batterivätska tvätta genast av med vatten och tvål. Vid ögonkontakt spola genast i minst 10 minuter och kontakta genast läkare.

Se upp så att inga metallföremål hamnar i laddarens batterischakt, kortslutning kan uppstå.

#### **BATTERI-ÖVERBELASTNINGSSKYDD**

Vid överbelastning av batteriet genom mycket hög strömförbrukning, t.ex. vid extremt höga vridmoment, om insatsverktyget kläms fast, ett plötsligt stopp eller vid kortslutning, stoppas elverktyget i 2 sekunder och stängs sedan automatiskt av. För återställning ska du ta ut batteripaketet ur verktyget och sätta tillbaka det igen.

Vid en extrem belastning blir det laddningsbara batteriet för varmt. I detta fall blinkar alla lampor på laddningsindikeringen så länge tills batteriet har svalnat. När laddningsindikeringen har slocknat kan du fortsätta med arbetet. Sätt då batteriet i laddaren för att ladda upp och aktivera det igen.

#### **TRANSPORTERA LITIJUMJON-BATTERIER**

För litiumjon-batterier gäller de lagliga föreskrifterna för transport av farligt gods på väg.

Därför får dessa batterier endast transporteras enligt gällande lokala, nationella och internationella föreskrifter och bestämmelser.

Konsumenter får transportera dessa batterier på allmän väg utan att behöva beakta särskilda föreskrifter.

För kommersiell transport av litiumjon-batterier genom en speditiönsfirma gäller emellertid bestämmelserna för transport av farligt gods på väg. Endast personal som känner till alla tillämpliga föreskrifter och bestämmelser får förbereda och genomföra transporten. Hela processen ska följas upp på fackmässigt sätt.

Följande ska beaktas i samband med transporten av batterier:

Säkerställ att alla kontakter är skyddade och isolerade för att undvika kortslutning.

Se till att batteripacken inte kan glida fram och tillbaka i förpackningen.

Transportera aldrig batterier som läcker, har runnit ut eller är skadade.

För mer information vänligen kontakta din speditiönsfirma.

#### **ANVÄND MASKINEN ENLIGT ANVISNINGARNA**

Borrhammaren kan universellt användas för hammarborrnig och mejsling i sten och betong.



## SKÖTSEL

Drag ur batteripaket innan arbete utföres på maskinen.

Se till att motorhöljets luftslitsar är rena.

Använd endast Milwaukee-tillbehör och Milwaukee-reservdelar. Komponenter, för vilka inget byte beskrivs, skall bytas ut hos Milwaukee-kundtjänst (se broschyren garanti-/kundtjänstadresser).

Vid behov av sprängskiss, kan en sådan, genom att uppge maskinens art. nr. (som finns på typskylten) erhållas från: Techtronic Industries GmbH, Max-Eyth-Straße 10, 71364 Winnenden, Germany.

## CE-FÖRSÄKRAN

Vi tar på vårt ansvar att produkten som har beskrivits under Tekniska data uppfyller alla relevanta villkor i direktiven

2011/65/EU (RoHS)

2006/42/EG

2014/53/EU

samt att följande harmoniserade standarder har använts.

EN 60745-1:2009 + A11:2010

EN 60745-2-6:2010

EN 55014-1:2017+A11:2020

EN 55014-2:2015

EN IEC 63000:2018

EN 301 489-1 V2.2.3

EN 301 489-17 V3.1.1

EN 300 328 V2.2.2

EN 62479:2010



Winnenden, 2020-11-30

Alexander Krug / Managing Director

Befullmäktigad att sammanställa teknisk dokumentation.

Techtronic Industries GmbH

Max-Eyth-Straße 10, 71364 Winnenden, Germany

## SYMBOLER



OBSERVERA! VARNING! FARA!



Drag ur batteripaket innan arbete utföres på maskinen.



Läs instruktionen noga innan du startar maskinen.



Tillbehör - Ingår ej i leveransomfånget, erhålles som tillbehör.



ANTI-vibrationssystem



Använd ingen kraft.



Använd alltid skyddsglasögon.



Bär hörselskydd.



Denna anordning innehåller ett litium knappcells batteri.



Elektriska maskiner, batterier/uppladdningsbara batterier och får inte slängas tillsammans med de vanliga hushålls-soporna. Elektriska maskiner och uppladdningsbara batterier ka samlas separat och lämnas till en avfallsstation för miljövänlig avfallshantering. Kontakta den lokala myndigheten respektive kommunen eller fråga återförsäljare var det finns speciella avfallsstationer för elkrot.

$n_0$

V

Tomgångsvarvtal, obelastad

Spänning



Likström



Europeiskt konformitetsmärke



Britiskt konformitetsmärke



Ukrainskt konformitetsmärke

001



Euroasiatiskt konformitetsmärke



TEKNISET ARVOT	M18 FHM
<b>Akkuporavasara</b>	
Tuotantonumero	4696 96 02... ... 000001-999999
Radiotaajuus	2402-2480 MHz
Lähetysteho	1,8 dBm
Jännite vaihtoakku	18 V
Kuormittamaton kierros-luku	380 min <sup>-1</sup>
Kuormitettu iskutaajuus maks.	2900 min <sup>-1</sup>
Kiinnitysiskun voimakkuus vastaa EPTA-Procedure 05/2009	11 J
Kiinnityskaulan ø	66 mm
Poran ø betoniin	45 mm (SDS-max)
Tunnelipora betonin, tiilen ja kalkin poraukseen.	65 mm (SDS-max)
Kruunupora betonin, tiilen ja kalkin poraukseen.	150 mm (SDS-max)
Paino EPTA-menettelyn 01/2014 mukaan (Li-lon 5,0 Ah ... 12,0 Ah))	9,7 ... 10,4 kg
Suosittelun ympäristön lämpötila käytön aikana	-18 °C ... +50 °C
Suosittelut akkusarjat	M18B5 – M18HB12
Suosittelut latauslaitteet	M12-18...
<b>Melunpäästötiedot</b>	
Mitta-arvot määritetty EN 60745 mukaan. Koneen tyypillinen A-luokitettu melutaso:	
Melutaso (Epävarmuus K=3dB(A))	96,5 dB (A)
Äänenvoimakkuus (Epävarmuus K=3dB(A))	107,5 dB (A)
<b>Käytä kuulosuojaimia!</b>	
<b>Tärinätiedot</b>	
Värähtelyn yhteisarvot (kolmen suunnan vektorisummittuna EN 60745 mukaan.	
Vasaraporaukseen, betoniin	
Värähtelyemissioarvo a <sub>h,HD</sub>	9,4 m/s <sup>2</sup>
Epävarmuus K=	1,5 m/s <sup>2</sup>
talttaus:	
Värähtelyemissioarvo a <sub>h,Cheq</sub>	9,4 m/s <sup>2</sup>
Epävarmuus K=	1,5 m/s <sup>2</sup>



## VAROITUS!

Näissä ohjeissa mainittu värähtelytaso on mitattu EN 60745 -standardin mukaisella mittausmenetelmällä ja sitä voidaan käyttää sähkötyökalujen vertaamiseen. Sitä voidaan käyttää myös värähtelyrasituksen väliaikaiseen arviointiin.

Mainittu värähtelytaso edustaa sähkötyökalun pääasiallista käyttöä. Jos sähkötyökalua kuitenkin käytetään muihin tehtäviin, poikkeavin työkaluin tai riittämättömästi huoltaen, värähtelytaso voi olla erilainen. Se voi korottaa värähtelyrasitusta koko työajan osalta.

Tarkan värähtelyrasituksen toteamiseen tulee ottaa huomioon aika, jona laite on kytketty pois tai on kylkillän päällä, mutta ei käytössä. Se voi pienentää värähtelyrasitusta koko työajan osalta.

Määrittele lisäturvatoimenpiteitä käyttäjän suojaamiseksi värinöiden vaikutukselta, kuten esimerkiksi: sähkötyökalujen ja käyttötyökalujen huolto, käsien lämpiminä pitäminen, työväiheidien organisaatio.

**VAROITUS! Lue kaikki, myös annetut turvallisuusmääräykset ja käyttöohjeet.** Turvallisuusohjeiden noudattamisen laiminlyönti saattaa johtaa sähköiskuun, tulipaloon ja/tai vakavaan loukkaantumiseen.

**Säilytä kaikki turvallisuus- ja muut ohjeet tulevaisuutta varten.**

## TURVALLISUUS OHJEET PORAVASARASSA

**Käytä korvasuojia.** Melulle altistuminen voi heikentää kuuloa.

**Käytä koneen mukana toimitettua apukahvaa.** Koneen hallinnan menetys saattaa aiheuttaa henkivahinkoja.

**Pitele laitetta vain eristetyistä tarttumapinnoista, kun suoritat sellaisia töitä, joissa leikkaustyökalu saattaa osua pillosa oleviin sähköjohtoihin.** Leikkaustyökalun yhteys jännitteelliseen johtoon saattaa tehdä laitteen metalliset osat jännitteellisiksi ja aiheuttaa sähköiskun.

## Täydentäviä turvallisuusmääräyksiä ja työskentelyohjeita

Käytä suojavarusteita. Käytä aina suojalaseja käyttäessäsi konetta. Suosittelemme suojavarusteiden käyttöä, näihin kuuluvat pölysuojanaamari, työkasineet, tukevat, luistamattomat jalkineet, kypärä ja kuulosuojukset.

Työstössä syntyvä pöly saattaa olla terveydelle vahingollista, joten sen koskettaminen tai hengittäminen tulisi välttää. Liitä kone kohdeimujärjestelmään ja käytä sopivaa pölysuojaa kasvoilla. Poista laskeutunut pöly huolellisesti esimerkiksi pölynimurilla.

Terveydellisiä vaaroja aiheuttavien materiaalien (esim. asbestin) työstäminen on kiellettyä.

Varo seinään, kattoon tai lattiaan porattaessa osumasta sähköjohtoon, kaasu- ja vesijohtoihin.

Jos käytetty työkalu juuttuu kiinni, sammuta laite heti! Älä kytkä laitetta uudelleen päälle työkalun ollessa vielä kiinni juuttuneena, koska tästä saattaa aiheutua voimakas takaisu. Selvitä työkalun juuttumisen syy ja poista syy turvallisuusmääräyksiä noudattaen.

Mahdollisia syitä saattavat olla:

- työkalun vinoutuminen työstökappaleessa
- Työstettävän materiaalin läpimeno
- sähkötyökalun ylikuormitus

Älä tartu käynnissä olevan koneen työosiin.

Käytetty työkalu saattaa kuumeta käytön aikana.

**VAROITUS!** Palovamman vaara

- työkalua vaihdettaessa
- laitetta pois laskettaessa

Lastuja tai puruja ei saa poistaa koneen käydessä.

Varmista työstökappaleesi kiinnitysliitteellä paikalleen. Varmista-mattomat työstökappaleet saattavat aiheuttaa vakavia vammoja ja vaurioita.

Ota akku pois ennen kaikkia koneeseen tehtäviä toimenpiteitä.

### VAROITUS



Tämä laite sisältää litium-nappipariston. Uusi tai käytetty akku voi aiheuttaa vakavia sisäisiä palovammoja ja johtaa kuolemaan alle kahdessa tunnissa, jos se niellään tai joutuu jollakin muulla tavalla kehoon. Kiinnitä aina paristolokeron kansi. Jos se ei sulkeudu turvallisesti, pysäytä laite, poista akku ja pidä se lasten ulottumattomissa. Jos epäilet, että jokin henkilö on niellyt akun tai että se on joutunut jollakin muulla tavalla kehoon, tämän henkilön täytyy hakeutua välittömästi lääkäriin hoitoon.

### KÄYTTÖ

#### Kylmäkäynnisty

Jos työkalu on varastoitu pidemmäksi aikaa tai kylmässä, mahdollisesti se ei aluksi vasaroi, sillä sen voitelu on jäykistynyt.

Työkalun lämmittäminen

1. Aseta poranterä tai taltta työkaluun.
2. Vedä liipaisimesta ja paina poranterää tai talttaa betoni- tai puupintaa vasten muutamien sekuntien ajan. Päästä irti virtakytimestä.
3. Toista, kunnes työkalu alkaa vasarimaan. Mitä kylmempi työkalu on, sitä pidempään sen lämpeneminen kestää.

### ONE-KEY™

Lue mukana toimitettu pikäkäyttöohje tai käy verkossa sivulla <http://www.milwaukee.com/one-key> tutustuaksesi tämän työkalun ONE-KEY-toiminnallisuteen.

Voit ladata ONE-KEY-sovelluksen App Storen tai Google Playn kautta älypuhelimellesi. Koestustulos täyttää standardien EN 301489-1 / EN 301489-17 mukaiset vähimmäisvaatimuksemme. Annamme ohjausta toiminnasta asiakkaille käyttöoppaassa.

### AKKU

Pitkään käyttämättä olleet vaihtoakut on ladattava ennen käyttöä. Yli 50°C lämpötilassa akun suorituskyky heikkenee. Välttähän akkujen säilyttämistä auringossa tai kuumissa tiloissa. Pidä aina latauslaitteen ja akun kosketinpinnan puhtaina. Optimaalisen käyttöiän saavuttamiseksi akut on ladattava täyteen käytön jälkeen.

Mahdollisimman pitkään elinajan takaamiseksi akut tulee poistaa lataurista lataamisen jälkeen. Akkuja yli 30 päivää säilytettäessä: Säilytä akku yli 27 °C:ssa ja kuivassa. Säilytä akku sen latauksen ollessa 30% - 50%. Lataa akku 6 kuukauden välein uudelleen.

Käytettyjä vaihtoakkuja ei saa polttaa eikä poistaa normaalin jätehuollon kautta. Milvaukeella on tarjolla vanhoja vaihtoakkuja varten ympäristöystävällinen jätehuoltopalvelu.

Vaihtoakkuja ei saa säilyttää yhdessä metalliesineiden kanssa (oikosulkuvaara).

Käytä ainoastaan System M18 latauslaitetta System M18 akkujen lataukseen. Älä käytä muiden järjestelmien akkuja.

Vaihtoakkuja ja latauslaitteita ei saa avata. Säilytys vain kuivissa tiloissa. Suojattava kosteudelta.

**VAROITUS!** Jotta vältetään lyhytsulun aiheuttama tulipalon, loukkaantumisen tai tuotteen vahingoittumisen vaara, älä koskaan upota työkalua, vaihtoakkua tai latauslaitetta nesteeseen ja huolehdi siitä, ettei mitään nesteitä pääse tunkeutumaan laitteiden tai akkujen sisään. Söyötyvät tai sähköä johtavat nesteet, kuten suolavesi, tietyt kemikaalit ja lalkaisuinneet tai valkaisuaineita sisältävät tuotteet voivat aiheuttaa lyhytsulun.

Vaurioituneesta akusta saattaa erityisen kovassa käytössä tai poikkeavassa lämpötilassa vuotaa akkuhappoa. Ihonkohta, joka on joutunut kosketukseen akkuhapon kanssa on viipymättä pestävä vedellä ja saippualla. Silmä, johon on joutunut akkuhappoa, on huuhdeltava vedellä vähintään 10 minuutin ajan, jonka jälkeen on viipymättä hakeuduttava lääkärin apuun.

On varottava, ettei latauslaitteiden vaihtoakkulatauskoloon joutu metalliesineitä (oikosulkuvaara).

### AKUN YLIKUORMITUSSUOJAUS

Jos akku ylikuormittuu liian suuren virrankulutuksen vuoksi, esim. äärimmäisen suurissa vääntömomenteissa, liitetyn työkalun kiinnijuhuttuessa, äkkipysähdyksessä tai oikosulussa, niin sähkötyökalu pysähtyy 2 sekunnin ajaksi ja sammuu sitten omatoimisesti. Nollalasta varten poista työkalusta akkuyksikkö ja vaihda uuteen.

Erittäin suuressa kuormituksessa akku kuumenee liikaa. Tässä tapauksessa latausnäytön kaikki lamput vilkkuvat, kunnes akku on jäähtynyt. Kun latausnäyttö on sammunut, voi työtä jatkaa. Työnnä akku sitten latauslaitteeseen ja lataa se jälleen, jotta se aktivoituu.

### LITIUMI-IONIAKKUJEN KULJETTAMINEN

Litiumi-ioniakut kuuluvat vaarallisten aineiden kuljetuksesta annettujen lakien piiriin.

Näiden akkujen kuljettaminen täytyy suorittaa noudattaen paikallisia, kansallisia ja kansainvälisiä määräyksiä ja sääöksiä.

Kuluttajat saavat ilman muuta kuljettaa näitä akkuja teitä pitkin.

Kaupallisessa kuljetuksessa huolintaliikkeiden täytyy kuljettaa litiumi-ioniakkuja vaarallisten aineiden kuljetuksesta annettujen määräysten mukaisesti. Ainoastaan tähän vastaavasti koulutetut henkilöt saavat suorittaa kuljetuksen valmistelutoimet ja itse kuljetuksen. Koko prosessia tulee valvoa asiantuntevasti.

Seuraavat kohdat tulee huomioida akkuja kuljettaessa:

Varmista, että akkujen kontaktit on suojattu ja eristetty, jotta vältetään lyhytsulut.

Huolehdi siitä, ettei akkusarja voi luiskahtaa paikaltaan pakkauksen sisällä.

Vahingoittuneita tai vuotavia akkuja ei saa kuljettaa.

Pyydä tarkemmat tiedot huolintaliikkeeltäsi.



Suo

## TARKOITUKSEN MUKAINEN KÄYTTÖ

Porasava soveltuu yleiseen kivenporaukseen ja -talttaukseen, ja betonin.

## HUOLTO

Ota akku pois ennen kaikkia koneeseen tehtäviä toimenpiteitä. Pidä moottorin ilmanottoaukot puhtaina.

Käytä ainoastaan Milwaukee lisätarvikkeita ja Milwaukee varaosia. Mikäli jokin komponentti, jota ei ole kuvailtu, tarvitsee vaihtoa ota yhteys johonkin Milwaukee palvelupisteistä (kts. listamme takuu- huoltoilikkeiden/ palvelupisteiden osoitteista)

Tarpeen vaatiessa voit pyytää lähettämään laitteen kokoonpanopii- rustuksen ilmoittamalla arvokilven numeron seuraavasta osoitteesta: Techtronic Industries GmbH, Max-Eyth-Straße 10, 71364 Winnenden, Germany.

## TODISTUS CE-STANDARDIN MUKAISUUDESTA

Vakuutamme täten olevamme yksin vastuussa siitä, että kohdassa "Tekniset tiedot" kuvattu tuote vastaa kaikkia direktiivien merkityk- sellisiä säästöjä

2011/65/EU (RoHS)

2006/42/EY

2014/53/EU

ja seuraavia yhdenmukaistettuja standardeja on käytetty.

EN 60745-1:2009 + A11:2010

EN 60745-2-6:2010

EN 55014-1:2017+A11:2020

EN 55014-2:2015

EN IEC 63000:2018

EN 301 489-1 V2.2.3

EN 301 489-17 V3.1.1

EN 300 328 V2.2.2

EN 62479:2010



Winnenden, 2020-11-30

Alexander Krug / Managing Director

Valtuutettu kokoamaan tekniset dokumentit.

Techtronic Industries GmbH

Max-Eyth-Straße 10, 71364 Winnenden, Germany

## SYMBOLIT



HUOMIO! VAROITUS! VAARA!



Ota akku pois ennen kaikkia koneeseen tehtäviä toimenpiteitä.



Lue käyttöohjeet huolellisesti, ennen koneen käynnistämistä.



Lisälaite - Ei sisälly vakiovarustukseen, saatavana lisätarvikkeena.



ANTI-tärinäjärjestelmä



Älä käytä väkivoimaa.



Käytä laitteella työskennellessäsi aina suojalaseja.



Käytä korvasuojia.



Tämä laite sisältää litium-nappipariston.



Sähkölaitteita, paristoja/akkuja ei saa hävittää yhdessä kotitalousjätteiden kanssa. Sähkölaitteet ja akut tulee kerätä erikseen ja toimittaa kierrätysliikkeeseen ympäristöystävällistä hävittämistä varten. Pyydä paikallisilta viranomaisilta tai alan kauppiaaltilta tarkemmat tiedot kierrätyspisteistä ja keräyspaikoista.

n<sub>0</sub>

V

Kuormittamaton kierros-luku

Jännite



Tasavirta



Euroopan säännön mukaisuusmerkki



Britannian säännön mukaisuusmerkki



Ukrainan säännön mukaisuusmerkki

001



Euraasian säännön mukaisuusmerkki



ΤΕΧΝΙΚΑ ΣΤΟΙΧΕΙΑ	M18 FHM
<b>ΠΕΡΙΣΤΡΟΦΙΚΟ ΠΙΣΤΟΛΕΤΟ ΜΠΑΤΑΡΙΑΣ</b>	
Αριθμός παραγωγής	4696 96 02... ... 000001-999999
Ζώνη συχνοτήτων	2402-2480 MHz
Ισχύς εκπομπής	1,8 dBm
Τάση ανταλλακτικής μπαταρίας	18 V
Αριθμός στρωφών χωρίς φορτίο	380 min <sup>-1</sup>
Μέγιστος αριθμός κρούσεων με φορτίο Μέγ.	2900 min <sup>-1</sup>
Ισχύς μεμονωμένης κρούσης κατά EPTA-Procedure 05/2009	11 J
Διάμετρος λαμού σύσφιξης	66 mm
Διάμετρος τρύπας σε σκυρόδεμα (μπετόν)	45 mm (SDS-max)
Τρυπάνι τούβελ σε μπετόν, κεραμίδια και ασβεστολιθικό ψαμίτη	65 mm (SDS-max)
Κορώνα κοίλου τρυπανιού σε μπετόν, κεραμίδια και ασβεστολιθικό ψαμίτη	150 mm (SDS-max)
Βάρος σύμφωνα με τη διαδικασία EPTA 01/2014 (Li-Ion 5,0 Ah ... 12,0 Ah)	9,7 ... 10,4 kg
Συνιστώμενη θερμοκρασία περιβάλλοντος για τη λειτουργία	-18 °C ... +50 °C
Συνιστώμενη δέσμη συσσωρευτών	M18B5 – M18HB12
Συνιστώμενη συσκευή φόρτισης	M12-18...
<b>Πληροφορίες θορύβου</b>	
Τιμές μέτρησης εξακριβωμένες κατά EN 60745. Η σύφωνα με την καμπύλη A εκτιμηθείσα στάθμη θορύβου του μηχανήματος αναφέρεται σε:	
Στάθμη ηχητικής πίεσης (Ανασφάλεια K=3dB(A))	96,5 dB (A)
Στάθμη ηχητικής ισχύος (Ανασφάλεια K=3dB(A))	107,5 dB (A)
<b>Φοράτε προστασία ακοής (ωτασπίδες)!</b>	
<b>Πληροφορίες δονήσεων</b>	
Υλικές τιμές κραδασμών (άθροισμα διανυσμάτων τριών διευθύνσεων) εξακριβώθηκαν σύμφωνα με τα πρότυπα EN 60745.	
Τρύπημα, Σκυρόδεμα (μπετόν)	
Τιμή εκπομπής δονήσεων a <sub>h, HD</sub>	9,4 m/s <sup>2</sup>
Ανασφάλεια K=	1,5 m/s <sup>2</sup>
Σμίλευση:	
Τιμή εκπομπής δονήσεων a <sub>h, Cheq</sub>	9,4 m/s <sup>2</sup>
Ανασφάλεια K=	1,5 m/s <sup>2</sup>



## ΠΡΟΕΙΔΟΠΟΙΗΣΗ!

Το αναφερόμενο σ' αυτές τις οδηγίες επίπεδο δονήσεων έχει μετρηθεί με μια τυποποιημένη σύμφωνα με το EN 60745 μέθοδο μέτρησης και μπορεί να χρησιμοποιηθεί για τη σύγκριση των ηλεκτρικών εργαλείων μεταξύ τους. Αυτό είναι επίσης κατάλληλο για μια προσωρινή εκτίμηση της επιβάρυνσης των δονήσεων.

Το αναφερόμενο επίπεδο δονήσεων αντιπροσωπεύει τις κύριες χρήσεις του ηλεκτρικού εργαλείου. Εάν όμως το ηλεκτρικό χρησιμοποιείται σε άλλες χρήσεις, με διαφορετικά εργαλεία εφαρμογής ή ανεπαρκή συντήρηση, μπορεί να υπάρξει απόκλιση του επιπέδου δονήσεων. Αυτό μπορεί να αυξήσει σημαντικά την επιβάρυνση των δονήσεων για τη συνολική διάρκεια της εργασίας

Για μια ακριβή εκτίμηση της επιβάρυνσης των δονήσεων οφείλουν επίσης να λαμβάνονται υπόψη οι χρόνοι, στους οποίους η συσκευή είναι απενεργοποιημένη ή είναι μεν ενεργοποιημένη αλλά δεν χρησιμοποιείται πραγματικά. Αυτό μπορεί να μειώσει σημαντικά την επιβάρυνση των δονήσεων για τη συνολική διάρκεια της εργασίας.

Καθορίστε πρόθετα μέτρα ασφαλείας για την προστασία του χειριστή από την επίδραση των δονήσεων όπως για παράδειγμα: Συντήρηση του ηλεκτρικού εργαλείου και των εργαλείων εφαρμογής, διατηρείτε ζεστά τα χέρια, οργάνωση των διαδικασιών εργασίας.

**⚠ ΠΡΟΕΙΔΟΠΟΙΗΣΗ! Διαβάστε όλες τις Υποδείξεις ασφαλείας και τις Οδηγίες.** Αμέλειες κατά την τήρηση των προειδοποιητικών υποδείξεων μπορεί να προκαλέσουν ηλεκτροπληξία, κίνδυνο πυρκαγιάς ή/και σοβαρούς τραυματισμούς.  
**Φυλάξτε όλες τις προειδοποιητικές υποδείξεις και οδηγίες για κάθε μελλοντική χρήση.**

## ⚠ ΟΔΗΓΙΕΣ ΑΣΦΑΛΕΙΑΣ ΓΙΑ ΠΕΡΙΣΤΡΟΦΙΚΟ ΣΦΥΡΙ

**Φοράτε ωτασπίδες.** Η επίδραση του θορύβου μπορεί να προκαλέσει απώλεια ακοής.

**Χρησιμοποιείτε με τη συσκευή τις προμηθευόμενες πρόσθετες χειρολαβές.** Η απώλεια ελέγχου μπορεί να οδηγήσει σε τραυματισμό.

**Να πιάνετε τη συσκευή στις μονωμένες χειρολαβές όταν εκτελείτε εργασίες κατά τις οποίες τα κοπτικά εργαλεία θα μπορούσαν να πέσουν επάνω σε κρυμμένα καλώδια ρεύματος.** Η επαφή των κοπτικών εργαλείων με αγωγό τροφοδοσίας τάσης μπορεί να θέσει τα μεταλλικά τμήματα της συσκευής υπό τάση και να προκαλέσει ηλεκτροπληξία.

## Περαιτέρω οδηγίες ασφαλείας και χρήσεως

Χρησιμοποιείτε προστατευτικό εξοπλισμό. Κατά την εργασία με τη μηχανή φοράτε πάντα προστατευτικά γυαλιά. Συνιστούμε επίσης προστατευτική ενδυμασία όπως επίσης μάσκα προστασίας αναπνοής, προστατευτικά γάντια, σταθερά και ασφαλή στην ολίσθηση

υποδήματα, κράνος και ωτασπίδες.

Η δημιουργούμενη κατά την εργασία σκόνη είναι συχνά επιβλαβής για την υγεία και δεν πρέπει να έρχεται σε επαφή με το σώμα. Χρησιμοποιείτε μια διάταξη αναρρόφησης της σκόνης και φοράτε επιπλέον μια κατάλληλη προσωπίδα προστασίας από τη σκόνη. Απομακρύνετε επιμελώς τη μαζεμένη σκόνη, π.χ. με αναρρόφηση. Μην επεξεργάζεστε επικινδυνα για την υγεία υλικά (π.χ. αμιάντος).

Κατά τις εργασίες σε τοίχο, οροφή ή δάπεδο προσέχετε για τυχόν ηλεκτρικά καλώδια και για σωλήνες αερίου και νερού.

Σε περίπτωση μπλοκαρίσματος της αριδίας απενεργοποιείτε αμέσως τη συσκευή! Μην ενεργοποιείτε εκ νέου τη συσκευή όσο η αριδιά είναι μπλοκαρισμένη. Σ' αυτή τη περίπτωση θα μπορούσε να προκύψει υψηλή ροπή αντίδρασης. Βρείτε την αιτία του μπλοκαρίσματος της αριδίας και εξηλεκτρίστε την λαμβάνοντας υπόψη τις οδηγίες ασφαλείας.

Πιθανές αιτίες γι' αυτό θα μπορούσαν να είναι:

- Η αριδιά μάλωσε με το προς κατεργασία κομμάτι.
- Θραύση του επεξεργαζόμενου υλικού
- Υπερφόρτωση του ηλεκτρικού εργαλείου.

Μην απλώνετε τα χέρια σας στην επικινδύνη περιοχή της μηχανής όταν είναι σε λειτουργία.

Η θερμοκρασία της αριδίας μπορεί να φτάσει σε υψηλά επίπεδα κατά τη λειτουργία.

**ΠΡΟΕΙΔΟΠΟΙΗΣΗ!** Κίνδυνος εγκαύματος

- κατά την αλλαγή εργαλείου (αριδίας)
- κατά την απόθεση της συσκευής

Τα γρέζια ή οι σκλήθρες δεν επιτρέπεται να απομακρύνονται όσο η μηχανή βρίσκεται σε λειτουργία.

Ασφαλίστε το προς κατεργασία κομμάτι στη μέγερνη ή με μια άλλη διάταξη στερέωσης. Μη ασφαλισμένα προς κατεργασία κομμάτια μπορεί να προκαλέσουν σοβαρούς τραυματισμούς και ζημιές.

Πριν από κάθε εργασία στη μηχανή αφαιρείτε την ανταλλακτική μπαταρία.

### ΠΡΟΕΙΔΟΠΟΙΗΣΗ



Αυτή η συσκευή περιέχει μία μπαταρία λιθίου τύπου κουμπιού/κέρματος. Μία νέα ή χρησιμοποιημένη μπαταρία μπορεί να προκαλέσει σοβαρά εσωτερικά εγκαύματα και να οδηγήσει σε θάνατο σε μόλις 2 ώρες σε περίπτωση κατάποσης ή εισόδου στο σώμα. Στερεώνετε πάντα το καπάκι στη θήκη μπαταριών. Εάν δεν κλείνει με ασφάλεια, σταματήστε τη συσκευή, αφαιρέστε την μπαταρία και κρατήστε την μακριά από παιδιά. Εάν πιστεύετε ότι κάποιος έχει καταπιεί την μπαταρία ή ότι έχει εισέλθει με άλλο τρόπο στο σώμα, αναζητήστε άμεση ιατρική φροντίδα.

### ΧΕΙΡΙΣΜΟΣ

#### Ψυχρή εκκίνηση

Εάν το εργαλείο έχει αποθηκευτεί για μεγάλο χρονικό διάστημα ή σε ψυχρές θερμοκρασίες, η κρουστική λειτουργία ενδέχεται να μην είναι διαθέσιμη, ειδικά το λιπαντικό έχει σκληρύνει.

Για να θερμάνετε το εργαλείο

1. Προσαρτήστε και ασφαλίστε ένα τρυπάνι ή μια σμίλη στο εργαλείο.
2. Τραβήξτε τη σκανδάλη και ασκήστε δύναμη στο τρυπάνι ή τη σμίλη έναντι μιας πλάκας σκυροδέματος ή μιας επίπεδης ξύλινης επιφάνειας για μερικά δευτερόλεπτα. Απελευθερώστε τη σκανδάλη.
3. Επαναλάβετε μέχρι να αρχίσει η κρουστική λειτουργία του εργαλείου. Όσο πιο κρύο είναι το εργαλείο, τόσο μεγαλύτερο διάστημα θα χρειαστεί για να θερμανθεί.

### ONE-KEY™

Προκειμένου να μάθετε περισσότερα για τη λειτουργικότητα ONE-KEY του εν λόγω εργαλείου, διαβάστε τον επισυναπτόμενο οδηγό γρήγορης

εκκίνησης ή επισκεφτείτε τη σελίδα μας στο Διαδίκτυο <http://www.milwauketoool.com/one-key>.

Μπορείτε να κατεβάσετε την εφαρμογή ONE-KEY στο Smartphone σας από το App Store ή το Google Play. Το αποτέλεσμα δοκιμής εκπληρώνει τις ελάχιστες απαιτήσεις μας κατά EN 301489-1 / EN 30149-17. Και θα προσφέρουμε καθοδήγηση στον πελάτη σχετικά με τον τρόπο λειτουργίας σε μορφή εγχειριδίου χρήσης.

### ΜΠΑΤΑΡΙΣ

Επαναφορτίζετε τις ανταλλακτικές μπαταρίες που δεν έχουν χρησιμοποιηθεί για μεγαλύτερο χρονικό διάστημα πριν τη χρήση. Μια θερμοκρασία πάνω από 50°C μειώνει την ισχύ της ανταλλακτικής μπαταρίας. Αποφύγετε τη θέρμανση για μεγαλύτερο χρονικό διάστημα από τον ήλιο ή τις συσκευές θέρμανσης.

Διατηρείτε τις επαφές σύνδεσης στο φορτιστή και στην ανταλλακτική μπαταρία καθαρές.

Για μια άριστη διάρκεια ζωής πρέπει μετά τη χρήση οι μπαταρίες να φορτιστούν πλήρως.

Για μια κατά το δυνατόν μεγάλη διάρκεια ζωής οι μπαταρίες μετά τη φόρτιση οφείλουν να αφαιρεθούν από το φορτιστή. Για την αποθήκευση της μπαταρίας για διάστημα μεγαλύτερο των 30 ημερών: Αποθηκεύετε τη μπαταρία περ. στους 27°C σε στεγνό χώρο. Αποθηκεύετε τη μπαταρία περ. στο 30%-50% της κατάστασης φόρτισης. Κάθε 6 μήνες φορτίζετε εκ νέου τη μπαταρία.

Μην πετάτε τις μεταχειρισμένες ανταλλακτικές μπαταρίες στη φωτιά ή στα οικιακά απορρίμματα. Η Milwaukee προσφέρει μια απόσυρση των παλιών ανταλλακτικών μπαταριών σύμφωνα με τους κανόνες προστασίας του περιβάλλοντος, ρωτήστε παρακαλώ σχετικά στο ειδικό κατάστημα πώλησης.

Μην αποθηκεύετε τις ανταλλακτικές μπαταρίες μαζί με μεταλλικά αντικείμενα (κίνδυνος βραχυκυκλώματος).

Φορτίζετε τις ανταλλακτικές μπαταρίες του συστήματος M18 μόνο με φορτιστές του συστήματος M18. Μην φορτίζετε μπαταρίες από άλλα συστήματα.

Μην ανοίγετε τις ανταλλακτικές μπαταρίες και τους φορτιστές ή χρησιμοποιείτε για αποθήκευση μόνο στεγνούς χώρους. Προστατεύετε τις ανταλλακτικές μπαταρίες και τους φορτιστές από την υγρασία.

**ΠΡΟΕΙΔΟΠΟΙΗΣΗ!** Για να αποτρέπεται τον κίνδυνο πυρκαγιάς λόγω βραχυκυκλώματος, τραυματισμούς ή ζημιές του προϊόντος, να μη βυθίζετε το εργαλείο, τον ανταλλακτικό συσσωρευτή ή τη συσκευή φόρτισης σε υγρά και να φροντίζετε, ώστε να μη διεισδύουν υγρά στις συσκευές και τους συσσωρευτές. Διαβρωτικές ή αγώγιμες υγρές ουσίες, όπως αλατόνερο, ορισμένες χημικές ουσίες και λευκαντικά ή προϊόντα που περιέχουν λευκαντικά, μπορεί να προκαλέσουν βραχυκύκλωμα.

Όταν υπάρχει υπερβολική καταπόνηση ή υψηλή θερμοκρασία μπορεί να τρέξει υγρό μπαταρίας από τις χαλασμένες επαναφορτιζόμενες μπαταρίες. Αν έρθετε σε επαφή με υγρό μπαταρίας να πλυθείτε αμέσως με νερό και σαπούνι. Σε περίπτωση επαφής με τα μάτια να πλυθείτε σχολαστικά για τουλάχιστον 10 λεπτά και να αναζητήσετε αμέσως ένα γιατρό.

Στη θήκη υποδοχής των ανταλλακτικών μπαταριών του φορτιστή δεν επιτρέπεται να φθάνουν μεταλλικά αντικείμενα (κίνδυνος βραχυκυκλώματος).

### ΠΡΟΣΤΑΣΙΑ ΥΠΕΡΦΟΡΤΩΣΗΣ ΤΗΣ ΜΠΑΤΑΡΙΣ

Σε περίπτωση υπερφόρτισης συσσωρευτή μέσω πολύ υψηλής κατανάλωσης ρεύματος, π.χ. υπερβολικά υψηλή ροπή στρέψης, μάγκωμα του ένθετου εργαλείου, ξαφνικό σταμάτημα ή βραχυκύκλωμα, σταματά το ηλεκτρικό εργαλείο για 2 δευτερόλεπτα και απενεργοποιείται αυτόματα. Για να πραγματοποιήσετε επαναφορά, αφαιρέστε το πακέτο συσσωρευτών από το εργαλείο και

αντικαταστήστε το.

Κάτω από ακραίες καταπονήσεις θερμαίνεται πάρα πολύ η μπαταρία. Στην περίπτωση αυτή αναβοσβήνουν όλες οι λάμπες της ένδειξης φόρτισης μέχρι να έχει κρυώσει η μπαταρία. Μετά το σβήσιμο της ένδειξης φόρτισης μπορεί να συνεχιστεί η συνεργασία. Τοποθετείτε στη συνέχεια τη μπαταρία στη συσκευή φόρτισης για να τη φορτίσετε πάλι και να την ενεργοποιήσετε.

### ΜΕΤΑΦΟΡΑ ΤΩΝ ΜΠΑΤΑΡΙΩΝ ΙΟΝΤΩΝ ΛΙΘΙΟΥ

Οι μπαταρίες ιόντων λιθίου υπόκεινται στις απαιτήσεις των νομικών διατάξεων για την μεταφορά επικινδύνων εμπορευμάτων.

Η μεταφορά τέτοιων μπαταριών πρέπει να πραγματοποιείται τηρώντας τους τοπικούς, εθνικούς και διεθνείς κανονισμούς και τις αντίστοιχες διατάξεις.

Επιτρέπεται η μεταφορά τέτοιων μπαταριών στο δρόμο χωρίς περαιτέρω απαιτήσεις.

Η εμπορική μεταφορά μπαταριών ιόντων λιθίου από εταιρείες μεταφορών υπόκειται στις απαιτήσεις των νομικών διατάξεων για την μεταφορά επικινδύνων εμπορευμάτων. Οι προετοιμασίες αποστολής και η μεταφορά πραγματοποιούνται αποκλειστικά από ειδικά εκπαιδευμένα πρόσωπα. Η συνολική διαδικασία συνοδεύεται από εξειδικευμένο προσωπικό.

Κατά τη μεταφορά μπαταριών ιόντων λιθίου πρέπει να προσέχετε τα εξής:

Φροντίστε τα σημεία επαφών να είναι προστατευμένα και μονωμένα ώστε να αποφευχθούν βραχυκυκλώματα.

Προσέξτε το γέλυο μπαταριών να είναι σταθερό μέσα στη συσκευασία και να μη λιστρά.

Η μεταφορά μπαταριών που παρουσιάζουν φθορές ή διαρροές δεν επιτρέπεται.

Για περισσότερες πληροφορίες απευθυνθείτε στην εταιρεία μεταφορών.

### ΧΡΗΣΗ ΣΥΜΦΩΝΑ ΜΕ ΤΟ ΣΚΟΠΟ ΠΡΟΟΡΙΣΜΟΥ

Το κρουστικό τρύπανι μπορεί να χρησιμοποιηθεί γενικά για κρουστικό τρύπημα και καλέμισμα σε πετρώματα και μπετόν.

### ΣΥΝΤΗΡΗΣΗ

Πριν από κάθε εργασία στη μηχανή αφαιρείτε την ανταλλακτική μπαταρία.

Διατηρείτε πάντοτε τις σχισμές εξερισμού της μηχανής καθαρές.

Χρησιμοποιείτε μόνο αξεσουάρ Milwaukee και ανταλλακτικά Milwaukee. Εξαρτήματα, που η αλλαγή τους δεν περιγράφεται, αντικαθιστώνται σε μια τεχνική υποστήριξη της Milwaukee (βλέπε φυλλάδιο εγγύηση/ διευθύνσεις τεχνικής υποστήριξης).

Όταν χρειάζεται, μπορείτε να ζητήσετε ένα σχέδιο συναρμολόγησης της συσκευής, δίνοντας τον τύπο της μηχανής και αριθμό στην πινακίδα ισχύος, από το κέντρο σέρβις ή απευθείας από τη firma Techtronic Industries GmbH, Max-Eyth-Strasse 10, 71364 Winnenden, Germany.

### ΔΗΛΩΣΗ ΠΙΣΤΟΤΗΤΑΣ ΕΚ

Δηλώνουμε με αποκλειστική ευθύνη, ότι το προϊόν που περιγράφεται στα «Τεχνικά Χαρακτηριστικά» συμμορφώνεται με όλες τις σχετικές διατάξεις των οδηγιών

2011/65/EE (RoHS)

2006/42/EK

2014/53/EE

και έχουν εφαρμοστεί τα ακόλουθα εναρμονισμένα πρότυπα

EN 60745-1:2009 + A11:2010

EN 60745-2-6:2010

EN 55014-1:2017+A11:2020

EN 55014-2:2015  
EN IEC 63000:2018  
EN 301 489-1 V2.2.3  
EN 301 489-17 V3.1.1  
EN 300 328 V2.2.2  
EN 62479:2010



Winnenden, 2020-11-30

Alexander Krug / Managing Director  
Εξουσιοδοτημένος να συντάξει τον τεχνικό φάκελο.

Techtronic Industries GmbH  
Max-Eyth-Strasse 10, 71364 Winnenden, Germany

### ΣΥΜΒΟΛΑ



ΠΡΟΣΟΧΗ! ΠΡΟΕΙΔΟΠΟΙΗΣΗ! ΚΙΝΔΥΝΟΣ!



Πριν από κάθε εργασία στη μηχανή αφαιρείτε την ανταλλακτική μπαταρία.



Παρακαλώ διαβάστε σχολαστικά τις οδηγίες χρήσης πριν από την έναρξη λειτουργίας.



Εξαρτήματα - Δεν περιλαμβάνονται στα υλικά παράδοση, συστήσιμη προσηήκη από το πρόγραμμα εξαρτημάτων.



ANTI-κραδασμικό σύστημα



Μην βάζετε δύναμη.



Στις εργασίες με τη μηχανή φοράτε πάντοτε προστατευτικά γυαλιά.



Φοράτε ωτοασπίδες.



Αυτή η συσκευή περιέχει μία μπαταρία λιθίου τύπου κουμπού/κέρματος.



Ηλεκτρικά μηχανήματα, μπαταρίες/συσσωρευτές δεν επιτρέπεται να απορρίπτονται μαζί με τα οικιακά απορρίμματα.

Ηλεκτρικά μηχανήματα και συσσωρευτές συλλέγονται ξεχωριστά και παραδίδονται προς ανακύκλωση με τρόπο φιλικό προς το περιβάλλον σε επιχείρηση επεξεργασίας απορριμμάτων. Ενημερωθείτε από τις τοπικές υπηρεσίες ή από ειδικευμένους εμπόρους σχετικά με κέντρα ανακύκλωσης και συλλογής απορριμμάτων.

Αριθμός στρωφών χωρίς φορτίο

Τάση



Συνεχές ρεύμα



Ευρωπαϊκό σήμα πιστότητας



Βρετανικό σήμα πιστότητας



Ουκρανικό σήμα πιστότητας



Ευρασιατικό σήμα πιστότητας



EL

Ελληνικά

TEKNİK VERİLER	M18 FHM
<b>Akü matkap çekici</b>	
Üretim numarası	4696 96 02... ... 000001-999999
Frekans bandı	2402-2480 MHz
İletim gücü	1,8 dBm
Kartuş akü gerilimi	18 V
Boştaki devir sayısı	380 min <sup>-1</sup>
Yükteki darbe sayısı Maks.	2900 min <sup>-1</sup>
EPTA-Procedure 05/2009'a göre tek darbe kuvveti	11 J
Germe boynu çapı	66 mm
Delme çapı beton	45 mm (SDS-max)
Beton, tuğla ve kireçli kum taşında tünel açıcı	65 mm (SDS-max)
Beton, tuğla ve kireçli kum taşında buat uçları	150 mm (SDS-max)
Ağırlığı ise EPTA-üretici 01/2014'e göre (Li-Ion 5,0 Ah ... 12,0 Ah))	9,7 ... 10,4 kg
Çalıştırılması için tavsiye edilen ortam sıcaklığı	-18 °C ... +50 °C
Tavsiye edilen güç paketleri	M18B5 – M18HB12
Tavsiye edilen şarj aletleri	M12-18...
<b>Gürültü bilgileri</b>	
Ölçüm değerleri EN 60745'e göre belirlenmektedir. Aletin, frekansa bağımlı uluslararası ses basıncı seviyesi değerlendirme eğrisi A'ya göre tipik gürültü seviyesi:	
Ses basıncı seviyesi (Tolerans K=3dB(A))	96,5 dB (A)
Akustik kapasite seviyesi (Tolerans K=3dB(A))	107,5 dB (A)
<b>Koruyucu kulaklık kullanın!</b>	
<b>Vibrasyon bilgileri</b>	
Toplam titreşim değeri (üç yönün vektör toplamı) EN 60745'e göre belirlenmektedir:	
Delme, beton	
titreşim emisyon değeri $a_{h,HD}$	9,4 m/s <sup>2</sup>
Tolerans K=	1,5 m/s <sup>2</sup>
Keskileme:	
titreşim emisyon değeri $a_{h,Cheq}$	9,4 m/s <sup>2</sup>
Tolerans K=	1,5 m/s <sup>2</sup>

### UYARI!

Bu talimatlarda belirtilen titreşim seviyesi, EN 60745 standardına uygun bir ölçme metodu ile ölçülmüştür ve elektrikli el aletleri birbiriyle karşılaştırmak için kullanılabilir. Ölçüm sonuçları ayrıca titreşim yükünün geçici değerlendirmesi için de uygundur.

Belirtilen titreşim seviyesi, elektrikli el aletinin genel uygulamaları için geçerlidir. Ancak elektrikli el aleti başka uygulamalar için, farklı eklenti parçalarıyla ya da yetersiz bakım koşullarında kullanılırsa, titreşim seviyesi farklılık gösterebilir. Bu durumda, titreşim yükü toplam çalışma zaman aralığı içerisinde belirgin ölçüde yükselebilir.

Titreşim yükünün tam bir değerlendirmesi için ayrıca cihazın kapalı olduğu süreler ve cihazın çalışır durumda olduğu, ancak gerçek kullanımda bulunmadığı süreler de dikkate alınmalıdır. Böylelikle, toplam çalışma zamanı aralığı boyunca meydana gelen titreşim yükü belirgin ölçüde azaltılabilir.

Kullanıcıyı titreşimlerin etkisinden korumak üzere, örneğin elektrikli el aletlerinin ve eklenti parçalarının bakımı, ellerin sıcak tutulması ve iş akışlarının organizasyonu gibi ek güvenlik tedbirleri belirleyiniz.

**⚠ UYARI! Güvenlikle ilgili bütün açıklamaları.** Açıklanan uyarılara ve talimat hükümlerine uyulmadığı takdirde elektrik çarpmalarına, yangınlara ve/veya ağır yaralanmalara neden olunabilir. **Bütün uyarıları ve talimat hükümlerini ileride kullanmak üzere saklayın.**

### ⚠ KIRICI İÇİN GÜVENLİK TALİMATLARI

**Koruyucu kulaklık kullanın.** Gürültü etkisi işitme kaybını etkiler. **Aletle birlikte teslim edilen ek tutamakları kullanın.** Aletin kontrolden çıkması kazalara neden olabilir.

**Kesme aletinin eğrilmış elektrik kabloları isabet eden çalışmalar yapılırken cihazı izole edilmiş kollarından tutun.** Kesme aletinin içinden elektrik akımı geçen kablo ile temas etmesi durumunda elektrik akımı cihazın metal kısımlarına geçer ve elektrik çarpmasına sebebiyet verebilir.

### Ek güvenlik ve çalışma talimatları

Koruma teçhizatı kullanın. Makinada çalışırken devamlı surette koruyucu gözlük takın. Koruyucu elbise ve tozlardan korunma maskesi, emniyet eldivenleri ve sağlam ve kaymaya mukavim ayakkabı giyin. Başlık ve kulaklık tavsiye edilir.

Tahtalar uzun süre işlenirken veya sağlıklı zararlı toz çıkaran malzemeler profesyonel olarak işlenirken alet uygun bir toz emme donanımına bağlanmak zorundadır. Profesyonel kullanıcılar diğer malzemelere ilişkin hükümleri yetkili meslek kuruluşu ile açıklığa kavuşturmak zorundadır.

Sağlık tehlikelerine neden olan malzemelerin işlenmesi yasaktır (örn. asbest).

Duvar, tavan ve zeminde delik açarken elektrik kablolarına, gaz ve su borularına dikkat edin.

Uca yerleştirilen takımın bloke olması halinde lütfen cihazı hemen kapatın! Uca yerleştirilen takım bloke olduğu sürece cihazı tekrar çalıştırmayın; bu sırada yüksek reaksiyon momentine sahip bir geri tepme meydana gelebilir. Uca yerleştirilen takımın neden bloke olduğuna bakın ve bu durumu güvenlik uyarılarına dikkat ederek gidin.

Olası nedenler şunlar olabilir:

- İşlenen parça içinde takılma
- İşlenen malzemenin kırılması
- Elektrikli alete aşırı yük binmesi

Ellerinizi çalışmakta olan makinenin içine uzatmayın.

Uca yerleştirilen takım kullanım sırasında ısınabilir.

UYARI! Yanma tehlikesi

- takım değiştirme sırasında
- aletin yere bırakılması sırasında

Alet çalışır durumda iken talaş ve kırpıntıları temizlemeye çalışmayın.

İşlenen parçayı bir germe tertibatıyla emniyete alın. Emniyete alınmayan iş parçaları ağır yaralanmalar ve hasarlara neden olabilir.

Aletin kendinde bir çalışma yapmadan önce kartuş aküyü çıkarın.

#### UYARI



Bu cihaz, düğme tipi/yassı lityum pil içerir. Yeni veya kullanılmış bir pil yutulursa ya da vücuda girerse, 2 saat gibi kısa bir sürede ciddi iç yanıklara ve ölüme neden olabilir. Kapağı pil bölmesine her zaman sabitleyin. Güvenli bir şekilde kapanmıyorsa, cihazı durdurun, pili çıkarın ve çocukların erişemeyeceği bir yerde saklayın. Birinin pili yuttuğundan veya pilin vücuda girdiğinden şüpheleniyorsanız, derhal tıbbi yardım isteyin.

#### ÇALIŞMA

##### Soğuk Çalıştırma

Bu alet uzun süre boyunca veya soğuk ısılarda saklanırsa yağ katılaşacağından başlangıçta çalışmayabilir.

Aleti ısıtmak için

1. Aletin içine matkap ucu veya keski takın ve kilitleyin.
2. Tetiği çekin ve matkap ucuna veya keskiye birkaç saniyelik beton ya da aşıp bir yüzeye kuvvet uygulayın. Tetiği serbest bırakın.
3. Alet çalışmaya başlayana kadar tekrarlayın. Alet ne kadar soğuk olursa ısınması o kadar uzun sürecektir.

#### ONE-KEY™

ONE-KEY işlevi hakkında daha fazla bilgi edinmek için ekteki Hızlı Başlangıç Kılavuzunu okuyun ya da <http://www.milwaukeetool.com/one-key-internet-adresimizi-ziyaret-edin>.

ONE-KEY uygulamasını App Store ya da Google Play aracılığıyla akıllı telefonunuza indirebilirsiniz. Kontrol sonucu EN 301489-1 / EN 301489-17 standardına göre asgari taleplerimizi yerine getirmektedir. İşletim kılavuzunu kullanma kılavuzuyla birlikte müşteriye sunacağız.

#### AKÜ

Uzun süre kullanım dışı kalmış kartuş aküleri kullanmadan önce şarj edin.

50°C üzerindeki sıcaklıklar kartuş akünün performansını düşürür.

Akünün güneş ışığı veya mekân sıcaklığı altında uzun süre ısınmamasına dikkat edin.

Şarj cihazı ve kartuş aküdeki bağlantı noktalarını temiz tutun.

Akünün ömrünün mükemmel bir şekilde uzun olması için kullandıktan sonra tamamen doldurulması gerekir.

Ömrünün mümkün olduğu kadar uzun olması için akülerin yüklemeye yapıldıktan sonra doldurma cihazından uzaklaştırılması gerekir.

Akünün 30 günden daha fazla depolanması halinde: Aküyü takriben 27°C'de kuru olarak depolayın. Aküyü yüklemeye durumunun takriben % 30 - %50 olarak depolayın. Aküyü her 6 ay yeniden doldurun.

Kullanılmış kartuş aküleri ateşe veya ev çöplerine atmayın. Milwaukee, kartuş akülerin çevreye zarar vermeyecek biçimde tasfiye edilmesine olanak sağlayan hizmet sunar; lütfen bu konuda yetkili satıcınızdan bilgi alın.

Kartuş aküleri metal parça veya eşyalarla birlikte saklamayın (kısa devre tehlikesi).

M18 sistemli kartuş aküleri sadece M18 sistemli şarj cihazları ile şarj edin. Başka sistemli aküleri şarj etmeyin.

Kartuş aküleri ve şarj cihazını açmayın ve sadece kuru yerlerde saklayın. Neme ve ıslanmaya karşı koruyun.

UYARI! Bir kısa devreden kaynaklanan yangın, yaralanma veya ürün hasarları tehlikesini önlemek için aleti, güç paketini veya şarj cihazını asla sıvıların içine daldırmayınız ve cihazların ve pillerin içine sıvı girmesini önleyiniz. Tuzlu su, belirli kimyasallar, ağartıcı madde veya ağartıcı madde içeren ürünler gibi korozif veya iletken sıvılar kısa devreye neden olabilir.

Aşırı zorlanma veya aşırı ısınma sonucu hasar gören kartuş akülerden batarya sıvısı dışarı akabilir. Batarya sıvısı ile temasa gelen yeri hemen bol su ve sabunla yıkayın. Batarya sıvısı gözüne kaçacak olursa en azından 10 dakika yıkayın ve zaman geçirmeden bir hekime başvurun. Şarj cihazının kartuş akü yuvasına hiçbir şekilde metal parçalar kaçmamalıdır (kısa devre tehlikesi).

#### AKÜNÜN AŞIRI YÜKLENMEYE KARŞI KORUNMASI

Aşırı yüksek akım tüketiminden dolayı, örn. aşırı yüksek devirler, başlığın sıkışması, aniden durma veya kısa devreden dolayı bataryaya aşırı yüklenmesi halinde elektrikli alet 2 saniye süreyle durmakta ve kendiliğinden kapanmaktadır. Sıfırlamak için pil paketini aletten çıkarıp yeniden takın.

Akü yüklenmeden dolayı fazla ısınır. Bu durumda akü soğuyana kadar yüklemeye göstergesinin bütün lambaları yanıp söner. Gösterge lambalarının sönmelerinden sonra tekrar çalışmaya devam edilebilir. Aküyü tekrar doldurmak ve aktif hale getirmek amacı ile şarja bağlayın.

#### LITYUM İYON PİLLERİN TAŞINMASI

Lityum iyon piller tehlikeli madde taşımaçlığı hakkındaki yasal hükümler tabidir.

Bu piller, bölgesel, ulusal ve uluslararası yönetmeliklere ve hükümlere uyularak taşınmak zorundadır.

Tüketiciler bu pilleri herhangi bir özel şart aranmaksızın karayoluyla taşıyabilirler.

Lityum iyon pillerin nakliye şirketleri tarafından ticari taşımaçlığı için tehlikeli madde taşımaçlığının hükümleri geçerlidir. Sevk hazırlığı ve taşıma sadece ilgili eğitimi görmüş personel tarafından gerçekleştirilebilir. Bütün süreç uzmanca bir refakatçilik altında gerçekleştirilmelidir.



Tür

Pillerin taşınması sırasında aşağıdaki hususlara dikkat edilmesi gerekmektedir:

Kısa devre oluşmasını önlemek için kontakların korunmuş ve izole edilmiş olmasını sağlayınız.

Pil paketinin ambalajı içinde kaymamasına dikkat ediniz.

Hasarlı veya akmış pillerin taşınması yasaktır.

Ayrıca bilgiler için nakliye şirketinize başvurunuz.

#### KULLANIM

Bu kırıcı-delici taştaki darbeli delme ve kesikleme işlerinde çok yönlü olarak kullanılabilir.

#### BAKIM

Aletin kendinde bir çalışma yapmadan önce kartuş aküyü çıkarın. Aletin havalandırma aralıklarını daima temiz tutun.

Sadece Milwaukee aksesuarı ve yedek parçası kullanın. Nasıl değiştirileceği açıklanmamış olan yapı parçalarını bir Milwaukee müşteri servisinden değiştirin (Garanti ve servis adresi broşürüne dikkat edin).

Gerektiği takdirde aletin dağılık görünüş şeması, alet tipinin ve tip etiketi üzerindeki sayının bildirilmesi koşuluyla müşteri servisinden veya doğrudan Techtronic Industries GmbH, Max-Eyth-Straße 10, 71364 Winnenden, Germany adresinden istenebilir.

#### CE UYGUNLUK BEYANI

"Teknik veriler" başlığı altında tanımlanan ürünün, sayılı direktiflerdeki tüm hükümleri

2011/65/EU (RoHS)

2006/42/EC

2014/53/EU

uyumlaştırılmış standartları

EN 60745-1:2009 + A11:2010

EN 60745-2-6:2010

EN 55014-1:2017+A11:2020

EN 55014-2:2015

EN IEC 63000:2018

EN 301 489-1 V2.2.3

EN 301 489-17 V3.1.1

EN 300 328 V2.2.2

EN 62479:2010



Winnenden, 2020-11-30

Alexander Krug / Managing Director

Teknik evrakları hazırlamakla görevlendirilmiştir.

Techtronic Industries GmbH

Max-Eyth-Straße 10, 71364 Winnenden, Germany

#### SEMBOLLER



DİKKAT! UYARI! TEHLİKE!



Aletin kendinde bir çalışma yapmadan önce kartuş aküyü çıkarın.



Lütfen aleti çalıştırmadan önce kullanma kılavuzunu dikkatli biçimde okuyun.



Aksesuar - Teslimat kapsamında değildir, önerilen tamam-lamalar aksesuar programında.



Titreşim azaltıcı sistem



Güç kullanmayın.



Aletle çalışırken daima koruyucu gözlük kullanın.



Koruyucu kulaklık kullanın.



Bu cihaz, düğme tipi/yassı lityum pil içerir.



Elektrikli cihazların, pillerin/akülerin evsel atıklarla birlikte bertaraf edilmesi yasaktır. Elektrikli cihazlar ve aküler ayrılarak biriktirilmeli ve çevreye zarar vermeden bertaraf edilmeleri için bir atık değerlendirme tesisine götürülmelidirler. Yerel makamlara veya satıcınıza geri dönüşüm tesisleri ve atık toplama merkezlerinin yerlerini danışınız.



Boştaki devir sayısı



Voltaaj



Doğru akım



Avrupa uyumluluk işareti



Britanya uyumluluk işareti



Ukrayna uyumluluk işareti



Avrasya uyumluluk işareti

TECHNICKÁ DATA	M18 FHM
<b>Aku vrtací kladiva</b>	
Výrobní číslo	4696 96 02... ... 000001-999999
Kmitočtové pásmo	2402-2480 MHz
Radiofrekvenční výkon	1,8 dBm
Napětí výměnného akumulátoru	18 V
Volnoběžné otáčky	380 min <sup>-1</sup>
Počet úderů max.	2900 min <sup>-1</sup>
Intenzita jednotlivých úderů podle EPTA-Procedure 05/2009	11 J
Ø upínacího krčku	66 mm
Vrtací Ø v betonu	45 mm (SDS-max)
Dotutá vrtací korunka do betonu, cihel a vápence.	65 mm (SDS-max)
Tunelový vrták do betonu, cihel a vápence.	150 mm (SDS-max)
Hmotnost podle prováděcího předpisu EPTA 01/2014 (Li-Ion 5,0 Ah ... 12,0 Ah))	9,7 ... 10,4 kg
Doporučená teplota okolí pro provoz	-18 °C ... +50 °C
Doporučené akupaky	M18B5 – M18HB12
Doporučené nabíječky	M12-18...
<b>Informace o hluku</b>	
Naměřené hodnoty odpovídají EN 60745. V třídě A posuzovaná hladina hluku přístroje činí typicky: Hladina akustického tlaku (Kolísavost K=3dB(A)) Hladina akustického výkonu (Kolísavost K=3dB(A))	96,5 dB (A) 107,5 dB (A)
<b>Používejte chrániče sluchu !</b>	
<b>Informace o vibracích</b>	
Celkové hodnoty vibrací (vektorový součet tří směrů) zjištěné ve smyslu EN 60745.	
Vrtání v betonu	
Hodnota vibračních emisí a <sub>h,HD</sub>	9,4 m/s <sup>2</sup>
Kolísavost K=	1,5 m/s <sup>2</sup>
Sekání:	
Hodnota vibračních emisí a <sub>h,Cheq</sub>	9,4 m/s <sup>2</sup>
Kolísavost K=	1,5 m/s <sup>2</sup>



## VAROVÁNÍ!

Úroveň chvění uvedená v tomto návodu byla naměřena podle metody měření stanovené normou EN 60745 a může být použita pro porovnání elektrického nářadí. Hodí se také pro průběžný odhad zatížení chvěním.

Uvedená úroveň chvění představuje hlavní účely použití elektrického nářadí. Jestliže se ale elektrické nářadí používá pro jiné účely, s odlišnými nástroji nebo s nedostatečnou údržbou, může se úroveň chvění odlišovat. To může značně zvýšit zatížení chvěním během celé pracovní doby.

Pro přesný odhad zatížení chvěním se musí také zohlednit časy, během kterých je přístroj vypnutý nebo kdy je síce v chodu, ale skutečně se s ním nepracuje. To může zatížení chvěním během celé pracovní doby značně snížit.

Stanovte doplňková bezpečnostní opatření pro ochranu obsluhy před účinky chvění jako například: technická údržba elektrického nářadí a nástrojů, udržování teploty rukou, organizace pracovních procesů.

**VAROVÁNÍ! Seznamte se se všemi bezpečnostními pokyny a síce s pokyny.** Zanedbání při dodržování varovných upozornění a pokynů mohou mít za následek úder elektrickým proudem, požár a ebo těžká poranění.

**Všechna varovná upozornění a pokyny do budoucna uschovejte.**

## BEZPEČNOSTNÍ POKYNY PRO BOURACÍHO Kladiva

**Používejte chrániče sluchu.** Nadměrný hluk může vést ke ztrátě sluchu.

**Používejte doplňková madla dodávaná s přístrojem.** Nedostatečným držením by mohlo dojít ke zranění.

**Při provádění prací, při kterých nástroj může narazit na skryta elektrická vedení, držte přístroj za izolované přidržovací plošky.** Kontakt řezného nástroje s vedením pod napětím může vést k přenosu napětí na kovové části přístroje a k úrazu elektrickým proudem.

## Další bezpečnostní a pracovní pokyny

Použijte ochranné vybavení. Při práci s elektrickým nářadím používejte vždy ochranné brýle. Doporučujeme rovněž použití součástí ochranného oděvu a ochranné obuvi, jako protiprašné masky, ochranných rukavic, pevné a neklouzající obuvi, ochranné přílby a ochrany sluchu.

Prach vznikající při práci bývá zdraví škodlivý, a proto by se neměly vdechovat. Používejte odsávání prachu a navíc se chráňte vhodnou ochrannou maskou. Usazený prach dobře odstraňte, např. odsátím

Nesmějí se opracovávat materiály, které mohou způsobit ohrožení zdraví (např. azbest)

Při vrtní do zdi, stropu nebo podlahy dávat pozor na elektrické kabely, plynová a vodovodní potrubí.

Při zablokování nasazeného nástroje přístroj okamžitě vypněte! Přístroj nezapínajte, pokud je nasazený nástroj zablokovaný; mohl by při tom vzniknout zpětný náraz s vysokým reakčním momentem. Zjistěte příčinu zablokování nasazeného nástroje a odstraňte ji při dodržení bezpečnostních pokynů.

Eventuální příčinou může být:

- vzpříčení u opracovávaném obrobku
- Opracovávaný materiál se zlomí.
- přetížení elektrického přístroje

Nezasahujte do běžících stroje.

Nasazený nástroj se může během používání rozpálit.

**VAROVÁNÍ!** Nebezpečí popálení.

- při výměně nástroje
- při odkládání přístroje

Pokud stroj běží, nesmí být odstraňovány třísky nebo odštěpky. Obrobek zabezpečte upínacím zařízením. Nezabezpečené obrobky mohou způsobit těžká poranění a poškození.

Před zahájením veškerých prací na vrtačím šroubováku vyjmout výměnný akumulátor.

#### VAROVÁNÍ



Toto zařízení obsahuje knoflíkovou/mincovou lithiovou baterii.

Nová nebo použitá baterie může způsobit vážné vnitřní popáleniny a věst k usmrcení do 2 hodin, pokud je spolknutá nebo vstupující do těla. Vždy zajistěte kryt prostoru pro baterie. Pokud se bezpečně neuzavře, zařízení zastavte, vyjměte baterii a držte ji mimo dosah dětí. Pokud si myslíte, že někdo spolkl baterii nebo jinak vstupila do těla, okamžitě vyhledejte lékařskou pomoc.

#### PROVOZ

##### Spuštění za studena

Pokud je nástroj skladován delší dobu, aniž by se používal, nebo je skladován při nízkých teplotách, nemusí po spuštění tlouci z důvodu ztuhlého maziva.

Pro zahřátí nástroje

1. Vložte vrták nebo sekáč do nástroje a upevněte ho v něm.
2. Stiskněte spouštěcí spínač a na několik sekund tlačte vrtákem nebo sekáčem silou na betonový nebo dřevěný povrch. Uvolněte spouštěcí spínač.
3. Toto opakujte, dokud nástroj nezačne tlouci. Čím je nástroj chladnější, tím déle bude jeho zahřátí trvat.

#### ONE-KEY™

Abyste se dozvěděli víc o funkci ONE-KEY tohoto nástroje, přečtěte si přiložený návod pro rychlé zahájení práce nebo nás navštivte na internetu na <http://www.milwaukeeeetool.com/one-key> Aplikaci ONE-KEY si můžete stáhnout na Váš smartphone z App Store nebo Google Play. Výsledek zkoušky splňuje naše minimální požadavky v souladu s normami EN 301489-1 / EN 301489-17. A zákazníkovi dáme provozní pokyny v uživatelské příručce.

#### AKUMULÁTORY

Děle nepoužívané akumulátory je nutné před použitím znovu nabít. Teplota přes 50°C snižuje výkon akumulátoru. Chraňte před dlouhým přehříváním na slunci či u topení. Kontakty nabíječky a akumulátoru udržujte v čistotě.

Pro optimální životnost je nutné akumulátory po použití plně dobít. K zabezpečení dlouhé životnosti by se akumulátory měly po nabíjení vyjmout z nabíječky. Při skladování akumulátoru po dobu delší než 30 dní: Skladujte akumulátor v suchu při cca 27°C. Skladujte akumulátor při cca 30%-50% nabíjecí kapacity. Opakujte nabíjení akumulátoru každých 6 měsíců.

Použití nevyhazujte do domovního odpadu nebo do ohně. Milwaukee nabízí ekologickou likvidaci starých článků, ptejte se u vašeho obchodníka s nářadím.

Náhradní akumulátor neskladujte s kovovými předměty, nebezpečí zkratu.

Akumulátor systému M18 nabíjejte pouze nabíječkou systému M18. Nenabíjejte akumulátory jiných systémů.

Náhradní akumulátory ani nabíječku neotvírejte, skladujte je v suchu, chraňte před vlhkem.

**VAROVÁNÍ!** Abyste zabránili nebezpečí požáru způsobeného zkratem, poraněním nebo poškozením výrobku, neponořujte nářadí, výměnnou baterii nebo nabíječku do kapalín a zajistěte, aby do zařízení a akumulátorů nevnikly žádné tekutiny. Korodující nebo vodivé kapaliny, jako je slaná voda, určité chemikálie a bělicí prostředky nebo výrobky, které obsahují bělidlo, mohou způsobit zkrat.

Při extrémní zátěži či vysoké teplotě může z akumulátoru vytékat kapalina. Při zasažení touto kapalinou okamžitě zasažená místa omyjte vodou a mýdlem. Při zasažení očí okamžitě důkladně po dobu alespoň 10min. omývat a neodkladně vyhledat lékaře.

V nabíjecím postu nabíječky neskladujte kovové předměty, nebezpečí zkratu.

#### OCHRANA PROTI PŘETÍŽENÍ AKUMULÁTORU

Při přetížení akumulátoru prostřednictvím příliš vysoké spotřeby proudu, např. extrémně vysoké kroutící momenty, uviznutí nasazeného nářadí, prudké nečekané zastavení nebo zkrat, se elektrické nářadí na 2 sekundy zastaví a samostatně se vypne. K resetování vyjměte baterii z nástroje a znovu dejte na své místo.

Při extrémním zatížení dochází k příliš vysokému ohřevu akumulátoru. V tomto případě začnou blikat všechny kontrolky indikátoru dobíjení a blikají tak dlouho, dokud se akumulátor opět neochladí. V okamžiku, kdy indikátor dobíjení přestane blikat, je možné v práci opět pokračovat. Akumulátor v tomto případě k dobíjení a aktivaci vložte opět do nabíječky.

#### PŘEPRAVA LITHIUM-IONTOVÝCH BATERIÍ

Lithium-iontové baterie spadají podle zákonných ustanovení pod přepravu nebezpečného nákladu.

Přeprava těchto baterií se musí realizovat s dodržováním lokálních, vnitrostátních a mezinárodních předpisů a ustanovení.

Spotřebitelé mohou tyto baterie bez problémů přepravovat po komunikacích.

Komerční přeprava lithium-iontových baterií prostřednictvím přepravních firem podléhá ustanovením o přepravě nebezpečného nákladu. Přípravu k vyexpedování a samotnou přepravu směřující vykonávat jen příslušně vyškolené osoby. Na celý proces se musí odborně dohlížet.

Při přepravě baterií je třeba dodržovat následující:

Zajistěte, aby kontakty byly chráněné a izolované, aby se zamežilo zkratům.

Dávejte pozor na to, aby se svazek baterií v rámci balení nemohl sesmeknout.



Poškozené a vyteklé baterie se nesmějí přepravovat.  
Ohledně dalších informací se obraťte na vaši přepravní firmu.

## OBLAST VYUŽITÍ

Vrtací kladivo je univerzálně použitelné k vrtání s přiklepem a sekání do kamene a betonu.

## ÚDRŽBA

Před zahájením veškerých prací na vrtacím šroubováku vyjmout výměnný akumulátor.

Větrací štěrbinu nářadí udržujeme stále čisté.

Používat výhradně příslušenství Milwaukee a náhradní díly Milwaukee. Díly jejichž výměny nebyla popsána, nechte vyměnit v autorizovaném servisu (viz. "Záruky / Seznam servisních míst")

Při potřebě podrobného rozkresu konstrukce, oslovte informaci o typu a čísle přímo servis a nebo výrobce, Techtronic Industries GmbH, Max-Eyth-Straße 10, 71364 Winnenden, Germany.

## CE-PROHLÁŠENÍ O SHODĚ

Prohlašujeme na naši výhradní odpovědnost, že produkt popsán v části „Technické údaje“ splňuje všechna příslušná ustanovení směrnic 2011/65/EU (RoHS)

2006/42/ES

2014/53/EU

a byly použity následující harmonizované normy

EN 60745-1:2009 + A11:2010

EN 60745-2-6:2010

EN 55014-1:2017+A11:2020

EN 55014-2:2015

EN IEC 63000:2018

EN 301 489-1 V2.2.3

EN 301 489-17 V3.1.1

EN 300 328 V2.2.2

EN 62479:2010



Winnenden, 2020-11-30

Alexander Krug / Managing Director  
Zplnomocněn k sestavování technických podkladů.

Techtronic Industries GmbH  
Max-Eyth-Straße 10, 71364 Winnenden, Germany

## SYMBOLY



POZOR! VAROVÁNÍ! NEBEZPEČÍ!



Před zahájením veškerých prací na vrtacím šroubováku vyjmout výměnný akumulátor.



Před spuštěním stroje si pečlivě přečtěte návod k používání.



Příslušenství není součástí dodávky, viz program příslušenství.



ANTI vibrační systém



Nepoužívejte sílu.



Při práci se strojem neustále nosit ochranné brýle.



Používejte chrániče sluchu.



Toto zařízení obsahuje knoflíkovou/mincovou lithiovou baterii.



Elektrická zařízení, baterie/akumulátory se nesmí likvidovat společně s odpadem z domácností. Elektrická zařízení, baterie/akumulátory je třeba sbírat odděleně a odevzdat je v recyklačním podniku na ekologickou likvidaci. Na místních úřadech nebo u vašeho specializovaného prodejce se informujte na recyklační podniky a sběrné dvory.

n<sub>0</sub>

Volnoběžné otáčky

v

napětí



Stejnosměrný proud



Značka shody v Evropě



Značka shody v Británii



Značka shody na Ukrajině

001



Značka shody pro oblast Eurasie



TECHNICKÉ ÚDAJE	M18 FHM
<b>Akumulátorové vrtacie kladivo</b>	
Výrobné číslo	4696 96 02... ... 000001-999999
Frekvenčné pásmo	2402-2480 MHz
Vysokofrekvenčný výkon	1,8 dBm
Napätie výmenného akumulátora	18 V
Otáčky naprázdno	380 min <sup>-1</sup>
Počet úderov pri záťaži max.	2900 min <sup>-1</sup>
Intenzita jednotlivých príklepov podľa EPTA Procedure 05/2009	11 J
Priemer upínacieho hrdla	66 mm
Priemer vrtu do betónu	45 mm (SDS-max)
Tunelový vrták do betónu, tehly a vápencového pieskovca	65 mm (SDS-max)
Jadrová vrtacia hlavica do betónu, tehly a vápencového pieskovca	150 mm (SDS-max)
Hmotnosť podľa vykonávacieho predpisu EPTA 01/2014 (Li-Ion 5,0 Ah ... 12,0 Ah))	9,7 ... 10,4 kg
Odporúčaná teplota okolia pre prevádzku	-18 °C ... +50 °C
Odporúčané akupaky	M18B5 – M18HB12
Odporúčané nabíjačky	M12-18...
<b>Informácia o hluku</b>	
Namerané hodnoty určené v súlade s EN 60745. V triede A posudzovaná hladina hluku prístroja činí typicky:	
Hladina akustického tlaku (Kolisavosť K=3dB(A))	96,5 dB (A)
Hladina akustického výkonu (Kolisavosť K=3dB(A))	107,5 dB (A)
<b>Používajte ochranu sluchu!</b>	
<b>Informácie o vibráciách</b>	
Celkové hodnoty vibrácií (vektorový súčet troch smerov) zistených zmysle EN 60745.	
Vrtanie do betónu	
Hodnota vibračných emisií a <sub>h,HD</sub>	9,4 m/s <sup>2</sup>
Kolisavosť K=	1,5 m/s <sup>2</sup>
Osekávanie:	
Hodnota vibračných emisií a <sub>h,ChEQ</sub>	9,4 m/s <sup>2</sup>
Kolisavosť K=	1,5 m/s <sup>2</sup>



Slov

## POZOR!

Úroveň vibrácií uvedená v týchto pokynoch bola nameraná meracou metódou, ktorú stanovuje norma EN 60745 a je možné ju použiť na vzájomné porovnanie elektrického náradia. Hodí sa aj na predbežné posúdenie kmitavého namáhania.

Uvedená úroveň vibrácií reprezentuje hlavné aplikácie elektrického náradia. Ak sa však elektrické náradie používa pre iné aplikácie, s odlišnými vloženými nástrojmi alebo s nedostatočnou údržbou, môže sa úroveň vibrácií líšiť. Toto môže kmitavé namáhanie v priebehu celej pracovnej doby podstatne zvýšiť.

Pre presný odhad kmitavého namáhania by sa mali tiež zohľadniť doby, v ktorých je náradie vypnuté alebo je síce v chode, ale v skutočnosti sa nepoužíva. Toto môže kmitavé namáhanie v priebehu celej pracovnej doby zreteľne redukovať.

Stanovte dodatočné bezpečnostné opatrenia pre ochranu obsluhy pred účinkami vibrácií, ako napríklad: údržba elektrického náradia a vložených nástrojov, udržiavanie teploty rúk, organizácia pracovných postupov.



**POZOR! Zoznámte sa so všetkými bezpečnostnými pokynmi.** Zanedbanie dodržiavania Výstražných upozornení a pokynov uvedených v nasledujúcom texte môže mať za následok zásah elektrickým prúdom, spôsobiť požiar a/alebo ťažké poranenie.  
**Tieto Výstražné upozornenia a bezpečnostné pokyny starostlivo uschovajte na budúce použitie.**



## BEZPEČNOSTNÉ POKYNY PRE KLADIVO

**Používajte ochranu sluchu.** Nadmerný hluk môže viesť k strate sluchu.

**Používajte prídavné rukoväte dodané spolu s prístrojom.** Strata kontroly nad strojom môže viesť k zraneniu.

**Pri realizovaní prác, pri ktorých nástroj môže naraziť na skryté elektrické vedenia, držte prístroj za izolované pridržovacie plošky.** Kontakt rezného nástroja s vedením pod napätím môže viesť k prenosu napätia na kovové časti prístroja a k úrazu elektrickým prúdom.

## Ďalšie bezpečnostné a pracovné pokyny

Použite ochranné vybavenie. Pri práci s elektrickým náradím používajte vždy ochranné okuliare. Doporučujeme taktiež použitie súčasti ochranného odevu a ochrannéj obuvi, ako sú protiprašná maska, ochranné rukavice, pevná a neklzájúca obuv, ochranná prilba a ochrana sluchu.

Prach, ktorý vzniká pri práci je často zdraviu škodlivý a nemal by sa dostať do tela. používajte odsávac prachu a noste vhodnú masku proti prachu. Uskladnený prach dôkladne odstrániť, napr. vysať.

Slovensky

Nesmú sa opracovávať materiály, ktoré môžu spôsobiť ohrozenie zdravia (napr. azbest)

Pri práci v stene, strope alebo v podlahe dávajte pozor na elektrické káble, plynové a vodovodné potrubia.

Pri zablokovaní nasadeného nástroja prístroj okamžite vypnite! Prístroj nezapínajte, pokiaľ je nasadený nástroj zablokovaný; mohol by pri tom vzniknúť spätný náraz s vysokým reakčným momentom. Príčinu zablokovania nasadeného nástroja zistíte a odstránite so zohľadnením bezpečnostných pokynov.

Eventuálnou príčinou môže byť:

- spriechenenie v opracovávanom obrobku
- zlomenie sa opracovávaného materiálu
- preťaženie elektrického prístroja

Nezasahujte do bežiacieho stroja.

Nasadený nástroj sa počas používania môže rozhorčiť.

**POZOR!** Nebezpečenstvo popálenia

- pri výmene nástroja
- pri odkladaní prístroja

Triesky alebo úlomky sa nesmú odstraňovať za chodu stroja.

Obrobok zabezpečte upínacím zariadením. Nebezpečné obrobky môžu spôsobiť ťažké poranenia a poškodenia.

Pred každou prácou na stroji výmenný akumulátor vytiahnuť.

#### **POZOR**



Toto zariadenie obsahuje gombíkovú/mincovú lítiovú batériu. Nová alebo použitá batéria môže spôsobiť vážne vnútorné popálenie a viesť k usmrteniu do 2 hodín v prípade, že je prehltnutá alebo vstúpi do tela. Vždy zaistite kryt batériového priestoru. Ak sa bezpečne neuzavrie, zariadenie zastavte, vyberte batériu a držte ju mimo dosahu detí. Ak si myslíte, že niekto prehltol batériu alebo že inak vstúpila do tela, okamžite vyhľadajte lekársku pomoc.

#### **PREVÁDZKA**

##### **Štartovanie za studena**

Ak je nástroj skladovaný dlhší čas alebo pri nízkych teplotách, nemusí na začiatku udierať, pretože mazivo je tuhé.

Pre zahriatie nástroja

1. Vložte a zaistite vrták alebo sekáč do nástroja.
2. Potiahnite spúšťač a na niekoľko sekúnd pôsobte silou na vrták alebo sekáč oproti betónovému alebo drevenému povrchu. Uvoľnite spúšťač.
3. Opakujte, kým nástroj nezačne udierať. Čím je nástroj chladnejší, tým dlhšie bude zahriatie trvať.

#### **ONE-KEY™**

Ak sa chcete viac dozvedieť o funkcii ONE KEY na tomto nástroji, prečítajte si priložený návod pre rýchly štart alebo navštívte našu internetovú stránku <http://www.milwaukeetool.com/one-key>

Aplikáciu ONE KEY si môžete na svoj smartphone stiahnuť z app storu alebo z Google Play. Výsledok skúšky spĺňa naše minimálne požiadavky v súlade s normami EN 301489-1 / EN 301489-17. In uporabniku bomo v navodilih za uporabo navedli smernice za obratovanje.

#### **AKUMULÁTORY**

Dlhší čas nepoužívaných výmenných akumulátorov pred použitím dobíť.

Teplota vyššia ako 50°C znižuje výkon výmenného akumulátora.

Zabráňte dlhšiemu ohriatiu slnkom alebo kúrením.

Prípádne kontakty na nabíjacom zariadení a výmennom akumulátore udržiavať čisté.

Pre optimálnu životnosť je nutné akumulátory po použití plne dobíť.

K zabezpečeniu dlhej životnosti by sa akumulátory mali po nabíť vybrať z nabíjačky. Pri skladovaní akumulátora po dobu dlhšiu než 30 dní: Skladujte akumulátor v suchu pri cca 27°C. Skladujte akumulátor pri cca 30%-50% nabíjacej kapacity. Opakujte nabíjanie akumulátora každých 6 mesiacov.

Opotrebované výmenné akumulátory nezahadzujte do ohňa alebo medzi domový odpad. Milwaukee ponúka likvidáciu starých výmenných akumulátorov, ktorá je v súlade s ochranou životného prostredia; informujte sa u Vašho predajcu.

Výmenné akumulátory neskladovať spolu s kovovými predmetmi (nebezpečenstvo skratu).

Výmenné akumulátory systému M18 nabíjať len nabíjacími zariadeniami systému M18. Akumulátory iných systémov týmto zariadením nenabíjať.

Výmenné akumulátory a nabíjacie zariadenia neotvárať a skladovať len v suchých priestoroch. Chrániť pred vlhkosťou.

**POZOR!** Aby ste zabránili nebezpečenstvu požiaru spôsobeného skratom, poraneniam alebo poškodeniam výrobku, neponárajte náradie, výmennú batériu alebo nabíjačku do kvapalín a postarajte sa o to, aby do zariadení a akumulátorov nevnikli žiadne tekutiny. Korodujúce alebo vodivé kvapaliny, ako je slaná voda, určité chemikálie a bieliace prostriedky alebo výrobky, ktoré obsahujú bieliadlo, môžu spôsobiť skrat.

Pri extrémnych záťažach alebo extrémnych teplotách môže dôjsť k vytekaniu batériovej tekutiny z poškodeného výmenného akumulátora. Ak dôjde ku kontaktu pokožky s roztokom, postihnuté miesto umyť vodou a mydlom. Ak sa roztok dostane do očí, okamžite ich dôkladne vypláchnuť po dobu min. 10 min a bezodkladne vyhľadať lekára.

Do zasúvacieho otvoru pre výmenné akumulátory na nabíjacom zariadení, sa nesmú dostať žiadne kovové predmety (nebezpečenstvo skratu).

#### **OCHRANA PROTI PREŤAŽENIU AKUMULÁTORA**

Pri preťažení akumulátora prostredníctvom príliš vysokej spotreby prúdu, napr. extrémne vysoké krútiace momenty, uviaznutie nasadovaného náradia, prudké nečakané zastavenie alebo skrat, sa elektrické náradie na 2 sekundy zastaví a samostatne sa vypne. K resetovaniu vyberte batériu z nástroja a znova dajte na svoje miesto.

Pri extrémnom zaťažení dochádza k príliš vysokému ohrevu akumulátora. V tomto prípade začnú blikať všetky kontrolky indikátora dobijania a blikajú tak dlho, dokiaľ sa akumulátor opäť neochladí. V okamihu, keď indikátor dobijania prestane blikať, je možné v práci opäť pokračovať. Akumulátor v tomto prípade k dobitiu a aktivácii vložte opäť do nabíjačky.

#### **PREPRAVA LÍTOVO-IÓNOVÝCH BATÉRIÍ**

Lítovo-iónové batérie podľa zákonných ustanovení spadajú pod prepravu nebezpečného nákladu.

Preprava týchto batérií sa musí realizovať s dodržiavaním lokálnych, vnútroštátnych a medzinárodných predpisov a ustanovení.

Spotrebiteľia môžu tieto batérie bez problémov prepravovať po cestách.

Komerčná preprava lítovo-iónových batérií prostredníctvom špedičných firiem podlieha ustanoveniam o preprave nebezpečného nákladu. Prípravu k vyexpedovaniu a samotnú prepravu smú vykonávať iba adekvátne vyškolené osoby. Po celý proces sa musí odborné dohliadať.



Pri preprave batérií treba dodržiavať nasledovné:

Zabezpečte, aby boli kontakty chránené a izolované, aby sa zamedzilo skratom.

Dávajte pozor na to, aby sa zväzok batérií v rámci balenia nemohol zošmyknúť.

Poškodená a vytečená batéria sa nesmú prepravovať.

Kvôli ďalším informáciám sa obráťte na vašu špedičnú firmu.

### POUŽITIE PODĽA PREDPISOV

Vŕtacie kladivo je univerzálne použiteľné na sekanie a osekávanie kameňa a betónu.

### ÚDRZBA

Pred každou prácou na stroji výmenný akumulátor vytiahnuť.

Vetracie otvory udržiavať stále v čistote.

Používať len Milwaukee príslušenstvo a Milwaukee náhradné diely. Súčiastky bez návodu na výmenu treba dať vymeniť v jednom z zákaznických centra alebo priamo v Techtronic Industries GmbH, Max-Eyth-Straße 10, 71364 Winnenden, Germany.

Pri udaní typu stroja a čísla nachádzajúceho sa na štítku dá sa v prípade potreby vyžiadať explozívna schéma prístroja od vášho zákaznického centra alebo priamo v Techtronic Industries GmbH, Max-Eyth-Straße 10, 71364 Winnenden, Germany.

### CE - VYHLÁSENIE KONFORMITY

Na našu výhradnú zodpovednosť vyhlasujeme, že produkt popísaný v časti „Technické údaje“ spĺňa všetky príslušné ustanovenia smerníc 2011/65/EÚ (RoHS) 2006/42/ES 2014/53/EÚ

a boli použité nasledovné harmonizované normy

EN 60745-1:2009 + A11:2010

EN 60745-2-6:2010

EN 55014-1:2017+A11:2020

EN 55014-2:2015

EN IEC 63000:2018

EN 301 489-1 V2.2.3

EN 301 489-17 V3.1.1

EN 300 328 V2.2.2

EN 62479:2010



Winnenden, 2020-11-30

Alexander Krug / Managing Director

Spĺnomocnený zostaviť technické podklady.

Techtronic Industries GmbH

Max-Eyth-Straße 10, 71364 Winnenden, Germany

### SYMBOLY



POZOR! NEBEZPEČENSTVO!



Pred každou prácou na stroji výmenný akumulátor vytiahnuť.



Pred prvým použitím prístroja si pozorne prečítajte návod na obsluhu.



Príslušenstvo - nie je súčasťou štandardnej výbavy, odporúčané doplnenie z programu príslušenstva.



ANTI vibračný systém



Nepoužívajte silu.



Pri práci so strojom vždy noste ochranné okuliare.



Používajte ochranu sluchu.



Toto zariadenie obsahuje gombíkovú/mincovú lítiovú batériu.



Elektrické zariadenia, batérie/akumulátory sa nesmú likvidovať spolu s odpadom z domácností. Elektrické zariadenia, batérie/akumulátory treba zbierať oddelene a odovzdať ich v recyklačnom podniku na ekologickú likvidáciu. Na miestnych úradoch alebo u vášho špecializovaného predajcu sa spýtajte na recyklačné podniky a zberné dvory.

n<sub>0</sub>

Otáčky naprázdno

V

Napätie



Jednosmerný prúd



Značka zhody v Európe



Značka zhody v Británii



Značka zhody na Ukrajine

001



Značka zhody pre oblasť Eurázie

Slovensky

DANE TECHNICZNE	M18 FHM
<b>Młotkowiertarka akumulatorowa</b>	
Numer produkcyjny	4696 96 02... ... 000001-999999
zakres częstotliwości	2402-2480 MHz
moc częstotliwości radiowej	1,8 dBm
Napięcie baterii akumulatorowej	18 V
Prędkość bez obciążenia	380 min <sup>-1</sup>
Częstotliwość uderu przy obciążeniu maks.	2900 min <sup>-1</sup>
Energia uderu zgodna z EPTA Procedure 05/2009	11 J
Średnica szyjki uchwytu	66 mm
Zdolność wiercenia w betonie	45 mm (SDS-max)
Wiertło rurowe do betonu, cegieł i kamienia wapiennego	65 mm (SDS-max)
Koronka rdzeniowa do betonu, cegieł i kamienia wapiennego	150 mm (SDS-max)
Ciężar wg procedury EPTA 01/2014 (Li-Ion 5,0 Ah ... 12,0 Ah)	9,7 ... 10,4 kg
Zalecana temperatura otoczenia w trakcie eksploatacji	-18 °C ... +50 °C
Zalecane zestawy akumulatorowe	M18B5 – M18HB12
Zalecane ładowarki	M12-18...
<b>Informacja dotycząca szumów</b>	
Zmierzone wartości wyznaczono zgodnie z normą EN 60745. Poziom szumów urządzenia oszacowany jako A wynosi typowo:	
Poziom ciśnienia akustycznego (Niepewność K=3dB(A))	96,5 dB (A)
Poziom mocy akustycznej (Niepewność K=3dB(A))	107,5 dB (A)
<b>Należy używać ochroniaczy uszu!</b>	
<b>Informacje dotyczące wibracji</b>	
Wartości łączne drgań (suma wektorowa trzech kierunków) wyznaczone zgodnie z normą EN 60745	
Wiercenie w betonie	
Wartość emisji drgań $a_{h,HD}$	9,4 m/s <sup>2</sup>
Niepewność K=	1,5 m/s <sup>2</sup>
Dłutowanie:	
Wartość emisji drgań $a_{h,Cheq}$	9,4 m/s <sup>2</sup>
Niepewność K=	1,5 m/s <sup>2</sup>

## OSTRZEŻENIE!

Podany w niniejszych instrukcjach poziom drgań został zmierzony za pomocą metody pomiarowej zgodnej z normą EN 60745 i może być użyty do porównania ze sobą elektronarzędzi. Nadaje się on również do tymczasowej oceny obciążenia wibracyjnego.

Podany poziom drgań reprezentuje główne zastosowania elektronarzędzia. Jeśli jednakże elektronarzędzie użyte zostanie do innych celów z innymi narzędziami roboczymi lub nie jest dostatecznie konserwowane, wtedy poziom drgań może wykazywać odchylenia. Może to wyraźnie zwiększyć obciążenie wibracjami przez cały okres pracy.

Dla dokładnego określenia obciążenia wibracjami należy uwzględnić również czasy, w których urządzenie jest wyłączone względnie jest włączone, lecz w rzeczywistości nie pracuje. Może to spowodować wyraźną redukcję obciążenia wibracyjnego w całym okresie pracy.

Należy wprowadzić dodatkowe środki zapobiegawcze celem ochrony obsługującego przed oddziaływaniem drgań, jak na przykład: konserwacja narzędzi roboczych i elektronarzędzi, nagrzanie rąk, organizacja przebiegu pracy.



**OSTRZEŻENIE! Prosimy o przeczytanie wskazówek bezpieczeństwa i zaleceń, również tych.** Błędy w przestrzeganiu poniższych wskazówek mogą spowodować porażenie prądem, pożar i/lub ciężkie obrażenia ciała.  
**Należy starannie przechowywać wszystkie przepisy i wskazówki bezpieczeństwa dla dalszego zastosowania.**



### INSTRUKCJE BEZPIECZEŃSTWA DLA MŁOTOWIERTARKI

**Stosować środki ochrony słuchu!** Hałas może powodować utratę słuchu.

**Stosować uchwyty pomocnicze dostarczone z narzędziem.**

Utrata kontroli może spowodować obrażenia.

**Trzymaj urządzenie za izolowane powierzchnie chwytne gdy wykonujesz roboty, w trakcie których narzędzie skrawające może natrafić na ukryte przewody prądowe.** Styczność narzędzia skrawającego z będącym pod napięciem przewodem może spowodować podłączenie części metalowych urządzenia do napięcia i prowadzić do porażenia prądem elektrycznym.

### Dodatkowe wskazówki bezpieczeństwa i instrukcje robocze

Stosować wyposażenie ochronne. Przy pracy maszyną zawsze nosić okulary ochronne. Zalecana jest odzież ochronna, jak maska pyłochronna, rękawice ochronne, mocne i chroniące przed poślizgiem obuwie, kask i ochronniki słuchu.



Pył wydzielający się podczas pracy z elektronarzędziem może być szkodliwy dla zdrowia i dlatego też nie powinien on mieć kontaktu z ciałem. Stosować układ pochłaniania pyłu i nosić odpowiednią maskę ochronną. Dokładnie usunąć nagromadzony pył np. przy pomocy odkurzacza.

Nie wolno obrabiać materiałów, które mogą być przyczyną zagrożenia zdrowia (na przykład azbestu).

Podczas pracy przy ścianach, sufitach i podłodze należy uważać na kable elektryczne, przewody gazowe i wodociągowe.

W przypadku zablokowania narzędzia nasadzanego należy natychmiast wyłączyć urządzenie! Nie należy ponownie włączać urządzenia tak długo, jak długo narzędzie nasadzone jest zablokowane; przy tym mógłby powstać odrzut zwrotny o dużym momencie reakcyjnym. Należy wykręcić i usunąć przyczynę zablokowania narzędzia nasadzanego uwzględniając wskazówki dotyczące bezpieczeństwa.

Możliwymi przyczynami mogą być:

- Skośne ustawienie się w poddawany obróbce przedmiocie obrabianym
- Przelamanie obrabianego materiału
- Przeciążenie narzędzia elektrycznego

Nie należy sięgać do wnętrza maszyny będącej w ruchu.

Narzędzie nasadzone może w trakcie użytkowania stać się gorące.

**OSTRZEŻENIE!** Niebezpieczeństwo oparzenia się

- przy wymianie narzędzia
- przy odstawianiu urządzenia

Podczas pracy elektronarzędzia nie wolno usuwać trocin ani drzazg.

Należy zabezpieczyć przedmiot poddawany obróbce za pomocą urządzenia mocującego. Niezabezpieczone przedmioty poddawane obróbce mogą spowodować ciężkie obrażenia ciała i uszkodzenia.

Przed przystąpieniem do jakichkolwiek prac na elektronarzędziu należy wyjąć wkładkę akumulatorową.

#### OSTRZEŻENIE



Urządzenie posiada guzikową baterię litową. W przypadku poknięcia lub dostania się do organizmu nowej lub używanej baterii może dojść do poparzenia wewnętrznych części ciała a nawet śmierci w ciągu zaledwie 2 godzin. Zawsze zabezpieczyć pokrywą na komorze baterii. Jeśli nie zostanie bezpiecznie zamknięta, zatrzymać urządzenie, usunąć baterię i trzymać ją w miejscu niedostępnym dla dzieci. W razie stwierdzenia poknięcia lub dostania się baterii do organizmu w inny sposób, należy niezwłocznie skonsultować się z lekarzem.

#### PROCES CIĘCIA

##### Zimny rozruch

Jeśli narzędzie to jest nieużywane przez długi czas lub przechowywane w niskich temperaturach, może początkowo nie zadziałać, ponieważ smar uległ degradacji.

Rozgrzewanie narzędzia

1. Włożyć i zamocować wiertło lub dłuto do narzędzia.
2. Wcisnąć przyciski i przez kilka sekund dociskać wiertło lub dłuto do betonowej lub drewnianej powierzchni. Zwolnić przyciski.
3. Powtarzać, aż narzędzie zacznie pracować. Im zimniejsze jest narzędzie, tym dłużej potrwa rozgrzewanie.

#### ONE-KEY™

Aby dowiedzieć się więcej na temat funkcji ONE-KEY urządzenia, przeczytaj załączoną instrukcję szybkiego startu lub odwiedź nas w Internecie na stronie <http://www.milwaukee.com/one-key>.

Możesz pobrać aplikację ONE-KEY z sklepu App Store lub Google Play na swojego smartfona. Wynik badania spełnia nasze minimalne wymagania zgodnie z normą EN 301489-1 / EN 301489-17. Przekazemy też klientowi wycieczne operacyjne w instrukcji obsługi.

#### BATERIE AKUMULATOROWE

Akumulatory, które nie były przez dłuższy czas użytkowane, należy przed użyciem naładować.

W temperaturze powyżej 50°C następuje spadek osiągniętych wkładki akumulatorowej. Unikać długotrwałego wystawienia na oddziaływanie ciepła lub promieni słonecznych (niebezpieczeństwo przegrzania).

Styki ładowarek i wkładek akumulatorowych należy utrzymywać w czystości

Dla zapewnienia optymalnej żywotności akumulatory po użyciu należy naładować do pełnej pojemności.

Dla zapewnienia możliwie długiej żywotności akumulatory należy wyjąć z ładowarki po ich naładowaniu. W przypadku składowania akumulatorów dłużej aniżeli 30 dni: Przechowywać je w suchym miejscu w temperaturze ok. 27°C. Przechowywać je w stanie naładowanym do ok. 30% - 50%. Ładować je ponownie co 6 miesięcy. Zużytych akumulatorów nie wolno wrzucać do ognia ani traktować jako odpadów domowych. Milwaukee oferuje ekologiczną utylizację zużytych akumulatorów.

Nie przechowywać akumulatorów wraz z przedmiotami metalowymi (niebezpieczeństwo zwarcia).

Akumulatory Systemu M18 należy ładować wyłącznie przy pomocy ładowarek Systemu M18. Nie ładować przy pomocy tych ładowarek akumulatorów innych systemów.

Nie otwierać wkładek akumulatorowych i ładowarek. Przechowywać w suchych pomieszczeniach. Chronić przed wilgocią.

**OSTRZEŻENIE!** Aby uniknąć niebezpieczeństwa pożaru, obrażeń lub uszkodzeń produktu na skutek zwarcia, nie wolno zanurzać narzędzia, akumulatora wymiennego ani ładowarki w cieczach i należy zoszczędzić się o to, aby do urządzeń i akumulatorów nie dostały się żadne ciecz. Zwarcie spowodować mogą korojujące lub przewodzące ciecz, takie jak woda morską, określone chemikalia i wybielacze lub produkty zawierające wybielacze.

W skrajnych warunkach temperaturowych lub przy bardzo dużym obciążeniu może dochodzić do wycieku kwasu akumulatorowego z uszkodzonych baterii akumulatorowych. W przypadku kontaktu z kwasem akumulatorowym należy natychmiast przemyć miejsce kontaktu wodą z mydłem. W przypadku kontaktu z oczami należy dokładnie przepłukiwać oczy przynajmniej przez 10 minut i zwrócić się natychmiast o pomoc medyczną.

Do ładowarki nie wolno wkładać żadnych przedmiotów metalowych (niebezpieczeństwo zwarcia).

#### ZABEZPIECZENIE PRZECIĄŻENIOWE AKUMULATORA

W przypadku przeciążenia akumulatora na skutek zbyt dużego poboru prądu, np. nadzwyczaj wysokich momentów obrotowych, zakleszczenie narzędzia roboczego, gwałtownego zatrzymania lub zwarcia, elektronarzędzie zatrzyma się w ciągu 2 sekund i samoczynnie się wyłączy. Aby zresetować, wystarczy wyjąć baterie z narzędzia i wymienić je.

Przy ekstremalnych obciążeniach akumulator nagrzewa się za mocno. W takim przypadku wszystkie lampki wskaźnika ładowania migają tak długo, aż akumulator ochłodzi się. Po zgaśnięciu wskaźnika ładowania można kontynuować pracę. Wówczas należy wetknąć akumulator do ładowarki, aby go ponownie naładować i aktywować.

#### TRANSPORT AKUMULATORÓW LITOWO-JONOWYCH

Akumulatory litowo-jonowe podlegają ustawowemu przepisom dotyczącym transportu towarów niebezpiecznych.

Transport tych akumulatorów winien odbywać się przy przestrzeganiu lokalnych, krajowych i międzynarodowych rozporządzeń i przepisów. Odbiorcom nie wolno transportować tych akumulatorów po drogach ot tak po prostu.

Komercyjny transport akumulatorów litowo-jonowych przez przedsiębiorstwa spedycyjne podlega przepisom dotyczącym transportu towarów niebezpiecznych. Przygotowania do wysyłki oraz transport mogą być wykonywane wyłącznie przez odpowiednio przeszkolone osoby. Cały proces winien odbywać się pod fachowym nadzorem.

W czasie transportu akumulatorów należy przestrzegać następujących punktów:

Celem uniknięcia zwarć należy upewnić się, że zestyki są zabezpieczone i zaizolowane.

Zwracać uwagę na to, aby zespół akumulatorów nie mógł się przemieszczać we wnętrzu opakowania.

Nie wolno transportować akumulatorów uszkodzonych lub z wyciekającym z elektrolitem.

Odnosnie dalszych wskazówek należy zwrócić się do swojego przedsiębiorstwa spedycyjnego.

#### WARUNKI UŻYTKOWANIA

Młot pneumatyczny do uniwersalnych zastosowań przy wierceniu udarowym i dławowaniu i betonu.

#### UTRZYMANIE I KONSERWACJA

Przed przystąpieniem do jakichkolwiek prac na elektronarzędziu należy wyjąć wkładkę akumulatorową.

Otwory wentylacyjne elektronarzędzia muszą być zawsze drożne.

Używać tylko i wyłącznie wyposażenia dodatkowego Milwaukee i części zamiennych Milwaukee. Gdyby trzeba było wymienić części, które nie zostały opisane, należy skontaktować się z przedstawicielem serwisu Milwaukee (patrz wykaz adresów punktów usługowych/gwarancyjnych).

Na życzenie można otrzymać rysunek widoku zespołu rozebranego. Przy zamawianiu należy podać numer oraz typ elektronarzędzia umieszczony na tabliczce znamionowej. Zamówienia można dokonać albo u lokalnych przedstawicieli serwisu, albo bezpośrednio w Techtronic Industries GmbH, Max-Eyth-Straße 10, 71364 Winnenden, Germany.

#### DEKLARACJA ZGODNOŚCI CE

Oświadczamy na naszą wyłączną odpowiedzialność, że produkt opisany pod „Dane techniczne” spełnia wszystkie istotne przepisy dyrektyw

2011/65/UE (RoHS)

2006/42/WE

2014/53/UE

i zastosowano następujące zharmonizowane normy

EN 60745-1:2009 + A11:2010

EN 60745-2-6:2010

EN 55014-1:2017+A11:2020

EN 55014-2:2015

EN IEC 63000:2018

EN 301 489-1 V2.2.3

EN 301 489-17 V3.1.1

EN 300 328 V2.2.2

EN 62479:2010



Winnenden, 2020-11-30

Alexander Krug / Managing Director  
Upewnomocniony do zestawienia danych technicznych

Techtronic Industries GmbH  
Max-Eyth-Straße 10, 71364 Winnenden, Germany

#### SYMBOLE



UWAGA! OSTRZEŻENIE NIEBEZPIECZEŃSTWO!



Przed przystąpieniem do jakichkolwiek prac na elektronarzędziu należy wyjąć wkładkę akumulatorową.



Przed uruchomieniem elektronarzędzia zapoznać się uważnie z treścią instrukcji.



Wyposażenie dodatkowe dostępne osobno.



System antywibracyjny



Nie używać siły.



Podczas pracy należy zawsze nosić okulary ochronne.



Stosować środki ochrony słuchu!



Urządzenie posiada guzikową baterię litową.



Urządzenia elektryczne, baterie/akumulatory nie mogą być usuwane razem z odpadami pochodzącymi z gospodarstw domowych. Urządzenia elektryczne i akumulatory należy gromadzić oddzielnie i w celu usuwania ich do odpadów zgodnie z wymaganiami środowiska naturalnego oddawać do przedsiębiorstwa utylizacyjnego. Proszę zasięgnąć informacji o centrach recyklingowych i punktach zbiorczych u władz lokalnych lub u wyspecjalizowanego dostawcy.

$n_0$

Prędkość bez obciążenia

V

Napięcie



Prąd stały



Europejski Certyfikat Zgodności



Brytyjski Certyfikat Zgodności



Ukraiński Certyfikat Zgodności

001



Euroazjatycki Certyfikat Zgodności



Polski

MŰSZAKI ADATOK	M18 FHM
<b>Akkumulátoros fúrókalapács</b>	
Gyártási szám	4696 96 02... ... 000001-999999
Frekvenciasáv	2402-2480 MHz
Jelerősség	1,8 dBm
Akkumulátor feszültség	18 V
Üresjárat fordulatszám	380 min <sup>-1</sup>
Ütésszám terhelés alatt max.	2900 min <sup>-1</sup>
Egyedi üttöerő az „EPTAProcedure 05/2009” (2009/05 EPTA-eljárás) szerint	11 J
Feszítőnyak- $\emptyset$	66 mm
Furat- $\emptyset$ betonba	45 mm (SDS-max)
Áttörő fúró betonhoz, téglához és mészkőhöz	65 mm (SDS-max)
Fúrókorona betonhoz, téglához és mészkőhöz	150 mm (SDS-max)
Súly a 01/2014 EPTA-eljárás szerint (Li-Ion 5,0 Ah ... 12,0 Ah)	9,7 ... 10,4 kg
Üzemeléshez ajánlott környezeti hőmérséklet	-18 °C ... +50 °C
Ajánlott akkusomagok	M18B5 – M18HB12
Ajánlott töltőkészülékek	M12-18...
<b>Zajinformáció</b>	
A közölt értékek megfelelnek az EN 60745 szabványnak. A készülék munkahelyi zajszintje tipikusan:	
Hangnyomás szint (K bizonytalanság=3dB(A))	96,5 dB (A)
Hangteljesítmény szint (K bizonytalanság=3dB(A))	107,5 dB (A)
<b>Hallásvédő eszköz használata ajánlott!</b>	
<b>Vibráció-információk</b>	
Összesített rezgésértékek (három irány vektorális összeg az EN 60745-nek megfelelően meghatározva.	
ütvefúráshoz betonba	
rezgésemisszió érték $a_{n,HD}$	9,4 m/s <sup>2</sup>
K bizonytalanság	1,5 m/s <sup>2</sup>
Vésés:	
rezgésemisszió érték $a_{n,Cheq}$	9,4 m/s <sup>2</sup>
K bizonytalanság	1,5 m/s <sup>2</sup>



## FIGYELMEZTÉS!

A jelen utasításokban megadott rezgésszint értéke az EN 60745-ben szabályozott mérési eljárásnak megfelelően került leírásra, és használható elektromos szerszámokkal történő összehasonlításhoz. Az érték alkalmas a rezgésterhelés előzetes megbecsülésére is.

A megadott rezgésszint-érték az elektromos szerszám legfőbb alkalmazásait reprezentálja. Ha az elektromos szerszámot azonban más alkalmazásokhoz, eltérő használt szerszámokkal vagy nem elegendő karbantartással használják, a rezgésszint értéke eltérő lehet. Ez jelentősen megnövelheti a rezgésterhelést a munkavégzés teljes időtartama alatt.

A rezgésterhelés pontos megbecsüléséhez azokat az időket is figyelembe kell venni, melyekben a készülék lekapcsolódik, vagy ugyan működik, azonban ténylegesen nincs használatban. Ez jelentősen csökkentheti a rezgésterhelést a munkavégzés teljes időtartama alatt.

Határozzon meg további biztonsági intézkedéseket a kezelő védelmére a rezgések hatása ellen, például: az elektromos és a használt szerszámok karbantartásával, a kezek melegen tartásával, a munkafolyamatok megszervezésével.

**▲ FIGYELMEZTETÉS! Olvasson el minden biztonsági útmutatót és utasítást.** A következőkben leírt előírások betartásának elmulasztása áramütésekhez, tűzhöz és/vagy súlyos testi sérülésekhez vezethet.

**Kérjük a későbbi használatra gondosan őrizze meg ezeket az előírásokat.**

## ▲ BIZTONSÁGI UTASÍTÁSOK FÚRÓKALAPÁCS

**Viseljen hallásvédőt.** A zaj hatása hallásvéstést okozhat.

**Használja a készülékkel együtt szállított kézfogantyúkat.** A készülék fölötti ellenőrzés elvesztése sérüléseket okozhat.

**A készüléket a szigetelt markolatfelületeket fogva tartsa, ha olyan munkálatokat végez, melyeknél a vágószerszám rejtett elektromos vezetékekbe.** A vágószerszám feszültségvezető vezetékkel való érintkezésekor a készülék fém részei is feszültség alá kerülhetnek, és elektromos áramütés következhet be.

## További biztonsági és munkavégzési utasítások

Használjon védőfelszerelést! Ha a gépen dolgozik, mindig hordjon védőszemüveget! Javasoljuk a védőruházat, úgymint porvédő maszk, védőcipő, erős és csúszásbiztos lábbeli, sisak és hallásvédő használatát.

A munkavégzés során keletkező por az egészségre ártalmas lehet. Ilyen esetben ajánlatos a megfelelő elszívó berendezés és a védőmaszk használata. A munkaterületen lerakódott port alaposan el kell takarítani.

Nem szabad olyan anyagokat megmunkálni, amelyek egészségre veszélyesek (pl. azbesztet).



Falban, födémbe, aljzatban történő fúrásnál fokozottan ügyelni kell az elektromos-, víz- és gázvezetésekre.

A betétszerszám elakadásakor azonnal ki kell kapcsolni a készüléket! Addig ne kapcsolja vissza a készüléket, amíg a betétszerszám elakadása fennáll; ennek során nagy ellennyomatékú visszarúgás történhet. Határozza és szüntesse meg a betétszerszám elakadásának okát a biztonsági útmutatások betartása mellett.

Ennek a következők lehetnek az okai:

- a szerszám elakad a megmunkálendő munkadarabban
- A megmunkálendő anyag átszakadt
- az elektromos szerszám túlterhelése

Ne nyúljon a járó gépbe.

A betétszerszám az alkalmazás során felforrósodhat.

**FIGYELMEZTETÉS!** Égési sérülések veszélye

- szerszámcserakor
- a készülék lerakásakor

A munka közben keletkezett forgácsokat, szilánkokat, törmelékét, stb. csak a készülék teljes leállása után szabad a munkaterületről eltávolítani.

Biztosítsa a munkadarabot befogó szerkezettel. A nem biztosított munkadarabok súlyos sérüléseket és károkat okozhatnak.

Karbantartás, javítás, tisztítás, stb. előtt az akkumulátort ki kell venni a készülékből.

### FIGYELMEZTETÉS



Az eszköz lítium gomelemeket tartalmaz. Az új vagy használt elem akár 2 órán belül súlyos belső égési sérülést okozhat és halálhoz vezethet, ha lenyelik vagy ha a testbe kerül. Mindig rögzítse az elemtartó fedelét. Ha a fedél nem zár stabilan, akkor állítsa le az eszközt, vegye ki az elemet és tartsa gyermekek által nem hozzáférhető helyen. Azonnal hívjon orvost, ha úgy véli, hogy valaki lenyelte az elemet vagy más módon a testébe került.

### ÜZEMELTETÉS

#### Hidegindítás

Ha a szerszámot hosszú ideig vagy alacsony hőmérsékleten tárolják, akkor lehetséges, hogy a kenőanyag megdermedése miatt kezdetben nem használható.

A szerszám bemelegítése

1. Helyezzen be és rögzítsen egy fűrő- vagy vésőszárat a szerszámba.
2. Húzza meg a be-/kikapcsológombot, és néhány másodpercig alkalmazzon erőt a fűrő- vagy vésőszárra beton vagy fa felületen. Engedje fel a be-/kikapcsológombot.
3. Ismétlje meg ezt mindaddig, amíg a fűrő-vésőkalapács működni nem kezd. Minél hidegebb a szerszám, annál hosszabb időt vesz igénybe a bemelegedés.

### ONE-KEY™

A szerszám ONE-KEY funkciójához további információ a mellékelt gyorsindítási útmutatóban vagy az interneten található: <http://www.milwaukeeool.com/one-key>.

A ONE-KEY alkalmazás az App Store-ból vagy a Google Play-ből tölthető le. A vizsgálati eredmény teljesíti az EN 301489-1 / EN 301489-17 szerinti minimális követelményeinket. Az üzemeltetési útmutatót a felhasználói kézikönyvben biztosítjuk a vevő számára.

### AKKUK

A hosszabb ideig üzemben kívül lévő akkumulátort használat előtt ismétlenül fel kell tölteni.

50°C feletti hőmérsékletnél csökkenhet az akkumulátor teljesítménye. Kerülni kell a túlzottan meleg helyen vagy napon történő hosszabb idejű tárolást.

A töltő és az akkumulátor csatlakozóit mindig tisztán kell tartani.

Az optimális élettartam érdekében használat után az akkukat teljesen fel kell tölteni.

A lehetőleg hosszú élettartamhoz az akkukat feltöltés után ki kell venni a töltőkészületről. Az akku 30 napot meghaladó tárolása esetén: Az akkut kb. 27 °C-on, száraz helyen kell tárolni. Az akkut kb. 30-50%-os töltöttségi állapotban kell tárolni. Az akkut 6 havonta újra fel kell tölteni.

A használt akkumulátort ne dobja tűzbe vagy a háztartási személt. Tájékoztódn a szakszertur megsemmisítés helyi lehetőségeiről.

Az akkumulátort ne tárolja együtt fém tárgyakkal. (Rövidzárlat veszélye).

Az M18 elnevezésű rendszerhez tartozó akkumulátorokat kizárólag a rendszerhez tartozó töltővel töltsse fel. Ne használjon más rendszerbe tartozó töltőt.

Az akkumulátort, töltőt nem szabad megbontani és kizárólag száraz helyen szabad tárolni. Nedvségtől óvni kell.

**FIGYELMEZTETÉS!** A rövidzárlat általi tűz, sérülések vagy termékárosodások veszélye elkerülésére ne merítse a szerszámot, a cserélhető akkut vagy a töltőkészüleket folyadékokba, és gondoskodjon arról, hogy ne hatoljanak folyadékok a készülékekbe és az akkukba. A korrozív hatású vagy vezetőképes folyadékok, mint pl. a sós víz, bizonyos vegyi anyagok, fehérítő vagy fehérítő tartalmú termékek, rövidzárlatot okozhatnak.

Akkumulátor sav folyhat a sértült akkumulátorból extrém terhelés alatt, vagy extrém hő miatt. Ha az akkumulátor sav a bőrre kerül azonnal mossa meg szappanos vízzel. Szembe kerülés esetén folyóvíz alatt tartsa a szemét minimum 10 percig és azonnal forduljon orvoshoz. Ügyeljen arra, hogy a töltő aknájába ne kerüljön semmilyen fém tárgy, mert ez rövidzárlatot okozhat.

### AZ AKKUMULÁTOR TÚLTERHELÉS ELLENI VÉDELME

Az akkumulátor nagyon magas áramfogyasztással való túlterhelése esetén, pl. rendkívül nagy nyomatok, a szerszám beszorulása, hirtelen leállítás vagy rövidzárlat miatt, az elektromos szerszám 2 másodpercig leáll és magától lekapcsol. A készülék visszaállításához vegye ki az akkumulátorcsomagot a szerszámból, és cserélje ki.

Rendkívüli terheléseknel az akku túlságosan felmelegszik. Ebben az esetben a töltéskijelző minden lámpája addig villog, amíg az akku le nem hűl. Ha a töltéskijelző kialszik, utána tovább lehet dolgozni. Az ismételt feltöltéshez és aktiváláshoz ekkor dugja az akkut a töltőkészülékbe.

### LÍTIUM-ION AKKUK SZÁLLÍTÁSA

A lítium-ion akkuk a veszélyes áruk szállítására vonatkozó törvényi rendelkezések hatálya alá tartoznak.

Az ilyen akkuk szállításának a helyi, országos és nemzetközi előírások és rendelkezések betartása mellett kell történnie.

A fogyasztók minden további nélkül szállíthatják az ilyen akkukat közúton.

A lítium-ion akkuk szállítmányozási vállalatok általi kereskedelmi célú szállítására a veszélyes áruk szállítására vonatkozó rendelkezések érvényesek. A kiszállítás előkészítését és a szállítást kizárólag megfelelő képzettségű személyek végezhetik. A teljes folyamatnak szakmai felügyelet alatt kell történnie.

A következő pontokat kell figyelembe venni akkuk szállításakor:

Biztosítsa, hogy a rövidzárlatok elkerülése érdekében az érintkezők védve és szigetelve legyenek.

Ügyeljen arra, hogy az akkucsomag ne tudjon elcsúszni a csomagoláson belül.



Mag

Tilos sérült vagy kifolyt akkukat szállítani.

További útmutatásokért forduljon szállítványozási vállalatához.

### RENDELTETÉSSZERŰ HASZNÁLAT

A fűrókalapács általánosan használható útfevűráshoz, kőzetekbe történő véséshez és betonban.

### KARBANTARTÁS

Karbantartás, javítás, tisztítás, stb. előtt az akkumulátort ki kell venni a készülékből.

A készülék szellőzőnyílásait mindig tisztán kell tartani.

Csak Milwaukee tartozékokat és Milwaukee pótalkatrészeket szabad használni. Az olyan elemeket, melyek cseréje nincs ismertetve, cseréltesse ki Milwaukee szervizzel (lásd Garancia/Ügyfélszolgálat címei kiadványt).

Szükség esetén a készülékek robbantott ábráját - a készülék típusa és azonosító száma alapján a területileg illetékes Milwaukee márkaszerviztől vagy közvetlenül a gyártótól (Techtronic Industries GmbH, Max-Eyth-Straße 10, 71364 Winnenden, Germany) lehet kérni.

### CE-AZONOSSÁGI NYILATKOZAT

Kizárólagos felelősségünk alapján kijelentjük, hogy a „Műszaki adatok” fejezetben leírt termék megfelel a irányelvek összes vonatkozó rendelkezésének

2011/65/EU (RoHS)

2006/42/EK

2014/53/EU

harmonizált szabvány és a

EN 60745-1:2009 + A11:2010

EN 60745-2-6:2010

EN 55014-1:2017+A11:2020

EN 55014-2:2015

EN IEC 63000:2018

EN 301 489-1 V2.2.3

EN 301 489-17 V3.1.1

EN 300 328 V2.2.2

EN 62479:2010



Winnenden, 2020-11-30

Alexander Krug / Managing Director

Műszaki dokumentáció összeállításra felhatalmazva

Techtronic Industries GmbH

Max-Eyth-Straße 10, 71364 Winnenden, Germany

### SZIMBÓLUMOK



FIGYELEM! FIGYELMEZTETÉS! VESZÉLY!



Karbantartás, javítás, tisztítás, stb. előtt az akkumulátort ki kell venni a készülékből.



Kérjük alaposan olvassa el a tájékoztatót mielőtt a gépet használja.



Azokat a tartozékokat, amelyek gyárilag nincsenek a készülékhez mellékelve, külön lehet megrendelni.



Rezgéscsillapító rendszer



Ne alkalmazzon erőt.



Munkavégzés közben ajánlatos védőszemüveget viselni.



Viseljen hallásvédőt.



Az eszköz lítium gombaelemeket tartalmaz.



Az elektromos eszközöket, elemeket/akkukat nem szabad a háztartási hulladékkal együtt ártalmatlanítani. Az elektromos eszközöket és akkukat szelektíven kell gyűjteni, és azokat környezetbarát ártalmatlanítás céljából hulladékhasznosító üzemben kell leadni. A helyi hatóságoknál vagy szakkereskedőjénél tájékozódjon a hulladékudvarokról és gyűjtőhelyekről.

n<sub>0</sub>

V

Üresjáratú fordulatszám

Feszültség



Egyenáram



Európai megfelelőségi jelölés



Egyesült királyságbeli megfelelőségi jelölés



Ukrán megfelelőségi jelölés

001



Eurázsiai megfelelőségi jelölés

TEHNIČNI PODATKI	M18 FHM
<b>Baterijska rotacijska kladiva</b>	
Proizvodna številka	4696 96 02... ... 000001-999999
Frekvenčni pas	2402-2480 MHz
Radijsko frekenco	1,8 dBm
Napetost izmenljivega akumulatorja	18 V
Število vrtljajev v prostem teku	380 min <sup>-1</sup>
Bremensko število udarcev maks.	2900 min <sup>-1</sup>
Jakost posameznega udarca v skladu z EPTA-Procedure 05/2009	11 J
Vpenjalni vrat $\varnothing$	66 mm
Vrtalni $\varnothing$ v betonu	45 mm (SDS-max)
Tunelni sveder v betonu, opeki in apnenem peščencu	65 mm (SDS-max)
Votla vrtalna krona v betonu, opeki in apnenem peščencu	150 mm (SDS-max)
Teža po EPTA-proceduri 01/2014 (Li-Ion 5,0 Ah ... 12,0 Ah)	9,7 ... 10,4 kg
Priporočena temperatura okolice za obratovanje	-18 °C ... +50 °C
Priporočeni kompleti akumulatorjev	M18B5 – M18HB12
Priporočeni polnilniki	M12-18...
<b>Informacije o hrupnosti</b>	
Vrednosti merjenja ugotovljene ustrezno z EN 60745. Raven hrupnosti naprave ovrednotena z A, znaša tipično:	
Nivo zvočnega tlaka (Nevarnost K=3dB(A))	96,5 dB (A)
Višina zvočnega tlaka (Nevarnost K=3dB(A))	107,5 dB (A)
<b>Nosite zaščito za sluh!</b>	
<b>Informacije o vibracijah</b>	
Skupna vibracijska vrednost (Vektorska vsota treh smerdoločena ustrezno EN 60745.	
Udarno vrtenje v betonu	
Vibracijska vrednost emisij $a_{h,HD}$	9,4 m/s <sup>2</sup>
Nevarnost K=	1,5 m/s <sup>2</sup>
Klesanje:	
Vibracijska vrednost emisij $a_{h,Cheq}$	9,4 m/s <sup>2</sup>
Nevarnost K=	1,5 m/s <sup>2</sup>



## OPOZORILO!

V teh navodilih navedena raven tresljajev je bila izmerjena po EN60745 normiranem merilnem postopku in lahko služi medsebojni primerjavi električnih orodij. Prav tako je primeren za predhodno oceno obremenitve s tresljaji.

Navedena raven tresljajev navaja najpomembnejše vrste rabe električnega orodja. Kadar se električno orodje uporablja za drugačne namene, z odstopajočimi orodji ali pa z nezadostnim vzdrževanjem, lahko raven tresljajev tudi odstopa. Le to lahko čez celoten delovni čas znatno zviša obremenitev s tresenjem.

Za natančno oceno obremenitve s tresljaji naj bi se upošteval tudi čas v katerem je naprava izklopljena ali sicer teče, vendar dejansko ni v rabi. Le to lahko obremenitev s tresljaji čez celoten delovni čas znatno zmanjša.

Za zaščito upravljalca pred učinkom tresljajev uvedite dodatne zaščitne ukrepe npr.: Vzdrževanje električnega orodja in orodja, delo s toplimi rokami, organizacija delovnih potekov.

**⚠ OPOZORILO! Preberite vsa varnostna opozorila in navodila.** Napake zaradi neupoštevanja spodaj navedenih opozoril in napatil lahko povzročijo električni udar, požar in/ali težke telesne poškodbe.

**Vsa opozorila in napatila shranite, ker jih boste v prihodnje še potrebovali.**

## ⚠ VARNOSTNA NAVODILA ZA VRTALNEGA KLAĐIVA

**Nosite zaščito za sluh.** Hrup lahko povzroči izgubo sluha.

**Uporabite dodatne ročaje, ki so dobavljeni skupaj z napravo.** Izguba kontrole lahko povzroči poškodbe.

**Kadar izvajate dela pri katerih lahko orodje zadane prikrito električno napeljavno, je napravo potrebno držati za izolirane prijemalne površine.** Stik rezalnega orodja z napetostnim vodnikom napeljave lahko privede kovinske dele naprave pod napetost in vodi do električnega udara.

## Nadaljna varnostna in delovna opozorila

Uporabite zaščitno opremo. Pri delu s strojem vedno nosite zaščitna očala. Priporočajo se zaščitna oblačila, kot npr. maska za zaščito proti prahu, zaščitne rokavice, trdno in neдрсеče obuvanje, čelada in zaščita za sluh.

Prah, ki nastaja pri delu, je pogosto zdravju škodljiv in naj ne zaide v telo. Uporabljajte odsesavanje prahu in dodatno nosite primerno masko za zaščito proti prahu. Prah, ki se usede, temeljito očistite, npr. posesajate.

Obdelava materialov, iz katerih izhaja ogroženost zdravja (npr. azbest), ni dovoljena.

Pri delih na steni, stropu ali v tleh pazite na električne kable, plinske in vodne napeljave.

V primeru blokade orodja napravo takoj izklopite! Naprave ponovno ne vklopljate dokler je orodje blokirano; pri tem bi lahko prišlo do povratnega udara z velikim reakcijskim momentom. Ugotovite in odpravite vzroke blokade orodja ob upoštevanju varnostnih navodil.

Možni vzroki so lahko:

- Zagozditve v obdelovancu
- Preboj obdelovanega materiala
- Preobremenitev električnega orodja

Ne segajte v stroj v teku.

Orodje lahko med uporabo postane vroče.

**OPOZORIL!** Nevarnost opeklin

- pri menjavi orodja
- pri odlaganju naprave

Trske ali iveri se pri tekočem stroju ne smejo odstranjevati.

Obdelovavec zavarujte z vpenjalno pripravo. Nezavarovani obdelovanci lahko povzročijo težke poškodbe in okvare.

Pred vsimi deli na stroji odstranite izmenljivi akumulator.

#### **OPOZORIL!**



Ta naprava ima gumbasto/litijve baterijo. Nova ali rabljena baterija lahko povzroči hude notranje opekline in povzroči smrt v samo 2 urah, če se pogoltne ali pride v telo na kakšen drug način. Vedno zavarujte pokrov na predelu za baterije. Če se predel ne zapira varno, zaustavite napravo, odstranite baterijo in jo hranite zunaj dosega otrok. Če menite, da je nekdo pogoltnil baterijo ali je prišla v telo na kakšen drug način, takoj poiščite zdravniško pomoč.

#### **UPRAVLJANJE**

##### **Hladen zagon**

Če orodje hranite dalj časa ali pri nizkih temperaturah, morda ne bo začelo pribijati, ker se mast strdi.

Segrevanje orodja

1. Vstavite in zaskočite ploščico ali dleto v orodje.
2. Aktivirajte sprožilno in stisnite ploščico ali dleto ob beton ali leseno površino za nekaj sekund. Sprostite sprožilno.
3. Ponavljajte, dokler orodje na začetne pribijati. Hladnejše ko je orodje, dalj časa bo trajalo segrevanje.

#### **ONE-KEY™**

Več o delovanju ONE-KEY tega orodja najdete na priloženih navodilih za hiter začetek ali obiščite spletno mesto <http://www.milwaukeeetool.com/one-key>

Aplikacijo ONE-KEY si lahko snamete na pametni telefon v trgovini App Store ali Google Play. Preizkusni izid izpolnjuje naše minimalne zahteve po EN 301489-1 / EN 301489-17. A káznákníkoví dáme prevádzkové pokyny v užívateľskej príručke.

#### **AKUMULATORJI**

Izmenljive akumulatorje, ki jih daljši čas niste uporabljali, pred uporabo naknadno napolnite.

Temperatura nad 50°C zmanjšuje zmogljivost izmenljivega akumulatorja. Izogibajte se daljšemu segrevanju zaradi sončnih žarkov ali gretja.

Pazite, da ostanejo priključni kontakti na polnilnem aparatu in izmenljivem akumulatorju čisti.

za optimalno življenjsko dobo je potrebno akumulatorje po uporabi do konca napolniti.

Za čim daljšo življenjsko dobo naj se akumulatorji po napolnitvi vzamejo ven iz naprave za polnjenje. Pri skladiščenju akumulatorjev dalj kot 30 dni: Akumulator skladiščiti pri 27°C in na suhem. Akumulator skladiščiti pri 30%-50% stanja polnjenja. Akumulator spet napolniti vsakih 6 mesecev.

Izrabljenih izmenljivih akumulatorjev ne mečite v ogenj ali v gospodinjinske odpadke. Milwaukee nudi okolju prijazno odlaganje starih izmenljivih akumulatorjev; prosimo povprašajte vašega strokovnega trgovca.

Izmenljivih akumulatorjev ne hranite skupaj s kovinskimi predmeti (nevarnost kratkega stika).

Izmenljive akumulatorje sistema M18 polnite samo s polnilnimi aparati sistema M18. Ne polnite nobenih akumulatorjev iz drugih sistemov. Izmenljivih akumulatorjev in polnilnih aparatov ne odpirajte in jih hranite samo v suhih prostorih. Zaščitite jih pred mokroto.

**OPOZORIL!** V izogib, s kratkim stikom povzročene nevarnosti požara, poškodbe ali okvar na proizvodu, orodja, izmenljivega akumulatorja ali polnilne naprave ne potaplajte v tekočine in poskrbite, da ne bo prihajalo do vdora tekočin v naprave in akumulatorje. Korozivne ali prevodne tekočine, kot so slana voda, določene kemikalije in belila ali proizvodi, ki le ta vsebujejo, lahko povzročijo kratek stik.

Pod ekstremno obremenitvijo ali ob ekstremni temperaturi iz poškodovanega izmenljivega akumulatorja lahko izteka akumulatorska tekočina. Po stiku z akumulatorsko tekočino prizadeto mesto takoj izperite z vodo in milom. Po stiku z očmi takoj najmanj 10 minut dolgo temeljito izpirajte in nemudoma obiščite zdravnika.

V odprtino za nameščanje izmenljivih akumulatorjev na polnilnih aparatih ne smejo zaiti nikakršni kovinski deli (nevarnost kratkega stika).

#### **ZAŠČITA PREOBREMENITVE AKUMULATORJA**

Pri preobremenitvi akumulatorja s previsoko porabo toka, npr. ekstremno visoki vrtilni momenti, zatik uporabljenega orodja, nenadna zaustavitve ali kratek stik, se električno orodje za 2 sekundi ustavi in samodejno izklopi. Za ponastavitev preprosto odstranite akumulator iz orodja in ga zamenjajte.

Pod ekstremnimi obremenitvami se akumulator premočno segreva. V tem primeru utripajo vse lučke prikazovalnika polnjenja dokler se akumulator ne ohladi. Za tem, ko prikazovalnik polnjenja ugasne lahko z delom nadaljujemo. Za ponovno polnitev in aktiviranje akumulatorja ga je potrebno vstaviti v polnilnik.

#### **TRANSPORT LITIJ-IONSkih AKUMULATORJEV**

Litij-ionski akumulatorji so podvrženi zakonskim določbam transporta nevarnih snovi.

Transport teh akumulatorjev se mora izvajati upoštevaajoč lokalne, nacionalne in mednarodne predpise in določbe.

Potrošniki lahko te akumulatorje še nadalje transportirajo po cesti.

Komercialni transport litij-ionskih akumulatorjev s strani špediterskih podjetij je podvržen določbam transporta nevarnih snovi. Priprava odpreme in transporta se lahko vrši izključno s strani ustrezno izšolanih oseb. Celoten proces je potrebno strokovno spremljati.

Pri transportu akumulatorjev je potrebno upoštevati sledeče točke:

V izogib kratkim stikom zagotovite, da bodo kontakti zaščiteni in izolirani.

Bodite pozorni na to, da paket akumulatorja v notranjosti embalaže ne bo mogel zdrsniti.

Poškodovanih ali iztekajočih akumulatorjev ni dovoljeno transportirati. Za nadaljnja navodila se obrnite na vaše špeditersko podjetje.

## UPORABA V SKLADU Z NAMEDBNOSTJO

Udarni vrtnalnik je univerzalno uporaben za udarno vrтанje in klesanje v kamnu in betonu.

## VZDRŽEVANJE

Pred vsemi deli na stroji odstranite izmenljivi akumulator.

Pazite na to, da so prezačevalne reže stroja vedno čiste.

Uporabljajte samo Milwaukee pribor in Milwaukee nadomestne dele. Poskrbite, da sestavne dele, katerih zamenjava ni opisana, zamenjajo v Milwaukee servisni službi (upoštevajte brošuro Garancija aslovi servisnih služb).

Po potrebi se lahko pri vaši servisni službi ali direktno pri Techtronic Industries GmbH naroči eksplozijska risba naprave ob navedbi tipa stroja in številke s tipske ploščice Techtronic Industries GmbH, Max-Eyth-Straße 10, 71364 Winnenden, Germany.

## CE-IZJAVA O KONFORMNOSTI

S polno odgovornostjo izjavljamo, da izdelek, opisan pod „Tehnični podatki“ izpolnjuje vse ustrezne določbe direktiv

2011/65/EU (RoHS)

2006/42/ES

2014/53/EU

ter da so bili uporabljeni naslednji harmonizirani standardi

EN 60745-1:2009 + A11:2010

EN 60745-2-6:2010

EN 55014-1:2017+A11:2020

EN 55014-2:2015

EN IEC 63000:2018

EN 301 489-1 V2.2.3

EN 301 489-17 V3.1.1

EN 300 328 V2.2.2

EN 62479:2010



Winnenden, 2020-11-30

Alexander Krug / Managing Director  
Pooblaščen za izdelavo spisov tehnične dokumentacije.

Techtronic Industries GmbH  
Max-Eyth-Straße 10, 71364 Winnenden, Germany

## SIMBOLI



POZOR! OPOZORILO! NEVARNO!



Pred vsemi deli na stroji odstranite izmenljivi akumulator.



Prosimo, da pred uporabo pozorno preberete to navodilo za uporabo.



Oprema – ni vsebovana v obsegu dobave, priporočeno dopolnilo iz programa opreme.



ANTIvibracijski sistem



Brez uporabe sile.



Pri delu s strojem vedno nosite zaščitna očala.



Nosite zaščito za sluh.



Ta naprava ima gumbasto/litjevo baterijo.



Električnih naprav, baterij/akumulatorjev ni dovoljeno odstranjevati skupaj z gospodinjskimi odpadki. Električne naprave in akumulatorje je potrebno zbirati ločeno in za okolju prijazno odstranitev, oddati podjetju za reciklažo. Pri krajevnem uradu ali vašem strokovnem prodajalcu se pozanimajte glede reciklažnih dvorišč in zbirnih mest.

$n_0$

Število vrtljajev v prostem teku

V

Napetost



Enosmerni tok



Evropska oznaka za združljivost



Britanska oznaka za združljivost



Ukrajinska oznaka za združljivost

001



Evrazijska oznaka za združljivost



TEHNIČKI PODACI	M18 FHM
<b>Akumulatorski bušaći čekić</b>	
Broj proizvodnje	4696 96 02... ... 000001-999999
Frekvencijski pojas	2402-2480 MHz
Radiofrekvencijska snaga	1,8 dBm
Napon baterije za zamjenu	18 V
Broj okretaja praznog hoda	380 min <sup>-1</sup>
Broj udaraca pod opterećenjem max.	2900 min <sup>-1</sup>
Jačina pojedinačnih udaraca prema EPTA-Procedure 05/2009	11 J
Stežno grlo- $\emptyset$	66 mm
Bušenje- $\emptyset$ u beton	45 mm (SDS-max)
Bušać tunela u beton, opeku i silikatnu opeku	65 mm (SDS-max)
Šuplja krunica za bušenje u beton, opeku i silikatnu opeku	150 mm (SDS-max)
Težina po EPTA-proceduri 01/2014 (Li-Ion 5,0 Ah ... 12,0 Ah)	9,7 ... 10,4 kg
Preporučena temperatura okoline za pogon	-18 °C ... +50 °C
Preporučeni akumulatorski paket	M18B5 – M18HB12
Preporučeni punjači	M12-18...
<b>Informacije o buci</b>	
Mjerne vrijednosti utvrđene odgovarajuće EN 60745. A-ocijenjeni nivo buke aparata iznosi tipično:	
Nivo pritiska zvuka (Nesigurnost K=3dB(A))	96,5 dB (A)
Nivo učinka zvuka (Nesigurnost K=3dB(A))	107,5 dB (A)
<b>Nositi zaštitu sluha!</b>	
<b>Informacije o vibracijama</b>	
Ukupne vrijednosti vibracije (Vektor suma tri smjersu odmjerene odgovarajuće EN 60745)	
čekićno bušenje u beton	
Vrijednost emisije vibracije $a_{n,HD}$	9,4 m/s <sup>2</sup>
Nesigurnost K=	1,5 m/s <sup>2</sup>
Klesanje:	
Vrijednost emisije vibracije $a_{n,Cheq}$	9,4 m/s <sup>2</sup>
Nesigurnost K=	1,5 m/s <sup>2</sup>



## UPOZORENJE!

Ova u ovom uputama navedena razina titranja je bila izmjerena odgovarajuće jednom u EN 60745 normiranom mjernom postupku i može se upotrijebiti za usporedbu električnog alata međusobno. Ona je prikladna i za privremenu procjenu titrajnog opterećenja.

Navedena razina titranja reprezentira glavne primjene električnog alata. Ukoliko se električni alat upotrebljava u druge svrhe sa odstupajućim primijenjenim alatima ili nedovoljnim održavanjem, onda razina titranja može odstupati. To može titrajno opterećenje kroz cijeli period rada bitno povisiti.

Za točnu procjenu titrajnog opterećenja se moraju uzeti u obzir i vremena u kojima je uređaj isključen ili u kojima doduše radi, ali nije i stvarno u upotrebi. To može titrajno opterećenje bitno smanjiti za vrijeme cijelog radnog perioda.

Utvrdite dodatne sigurnosne mjere za zaštitu poslužioaca protiv djelovanja titranja kao npr.: Održavanje električnih alata i upotrijebljenih alata, održavanje topline ruku, organizacija i radne postupke.



## UPOZORENJE! Pročitajte sigurnosne upute i uputnice.

Ako se ne bi poštivale napomene o sigurnosti i upute to bi moglo uzrokovati strujni udar, požar i/ili teške ozljede.

**Sačuvajte sve napomene o sigurnosti i upute za buduću primjenu.**



## SIGURNOSNE UPUTE ZA BUŠAČEKIČIĆA

**Nosite zaštitu za sluh.** Djelovanje buke može uzrokovati gubitak sluha.

**Koristite dodatne drške koje su isporučene sa aparatom.** Gubitak kontrole može prouzročiti povrede.

**Držite spravu na izoliranim držaćkim površinama kada izvodite radove kod kojih rezački alat može pogoditi skrivene vodove struje.** Kontakt rezačkog alata sa vodovima koji sprovode napon može metalne dijelove sprave dovesti pod napon i tako dovesti do električnog udara.

## Ostale sigurnosne i radne upute

Upotrebljavati zaštitnu opremu. Kod radova sa strojem uvijek nositi zaštitne naočale. Preporučuje se zaštitna odjeća, kao zaštitna maska protiv prašine, zaštitne rukavice, čvrste i protiv klizanja sigurne cipele, šljem i zaštitu sluha.

Prašina koja nastaje kod rada je često štetna po zdravlje i ne bi smjela dospjeti u tijelo. Primijeniti usisavanje prašine i dodatno nositi prikladnu zaštitnu masku protiv prašine. Slegu prašinu temeljito odstraniti, npr. usisati.

Ne smiju se obrađivati nikakvi materijali, od kojih prijeti opasnost po zdravlje (npr. azbest).

Kod radova na zidu, stropu ili podu paziti na električne kablove kao i vodove plina i vode.

Kod blokiranja alata koji se upotrebljava uređaj molimo odmah isključiti! Uređaj nemojte ponovno uključiti za vrijeme dok je alat koji se upotrebljava blokiran; time može doći do povratnog udara sa visokim reakcijskim momentom. Pronađite i otklonite uzrok blokiranja alata koji se upotrebljava uz poštivanje sigurnosnih uputa.

Mogući uzroci za to mogu biti:

- Izobličavanje u izratku koji se obrađuje
- Proboj materijala koji se obrađuje
- Preopterećenje električnog alata

Nemojte sezati u stroj koji radi.

Upotrebjeni alat se može za vrijeme korištenja zagrijati.

**UPOZORENJE!** Opasnost od opekotina

- kod promjene alata
- kod odlaganja uređaja

Piljevina ili iverje se za vrijeme rada stroja ne smiju odstranjivati.

Osigurajte vaš izradak jednim steznim uređenjem. Neosigurani izradci mogu prouzročiti teške povrede i oštećenja.

Prije svih radova na stroju izvaditi bateriju za zamjenu.

#### UPOZORENJE



Uređaj sadrži gumbaste litijeve baterije. Nova ili korištena baterija mogu prouzročiti teške unutarnje opekotine i smrt u samo dva sata ako se progutaju ili uđu u tijelo. Uvijek pazite na to da je baterijski pretnac prekriven. Ako nije dobro zatvoren, zaustavite uređaj i uklonite bateriju te ju držite izvan dohvata djece. Ako mislite da je netko progutao bateriju ili da je ona na drugi način ušla u tijelo, zatražite liječnički savjet.

#### RUKOVANJE

##### Hladno pokretanje

Ako se ovaj alat skladišti tijekom dugačkog razdoblja ili pri niskim temperaturama, čekić možda isprva neće funkcionirati jer se mazivo skrutilo.

Za zagrijavanje alata

1. Umetnite i fiksirajte svrdlo ili dijeloto u alat.
2. Povucite sklopku za uključivanje i primjenjujte silu na svrdlo ili dijeloto o betonsku ili drvenu površinu nekoliko sekundi. Otpustite sklopku za uključivanje.
3. Ponavljajte postupak dok se funkcija čekića alata ne uspostavi. Što je alat hladniji, to će mu dulje trebati da se zagrije.

#### ONE-KEY™

Kako biste više saznali o ONE-KEY funkcionalnosti ove alatke, pročitajte priloženu uputu za brzi početak ili nas posjetite na internetu na <http://www.milwaukeetool.com/one-key>

Aplikaciju ONE-KEY možete preuzeti na vaš pametni telefon preko App Store ili Google Play. Rezultat ispitivanja ispunjava naše najmanje zahtjeve po EN 301489-1 / EN 301489-17. Dostaviti ćemo smjernice za uporabu kupcu u uputstvu za uporabu.

#### BATERIJE

Baterije koje duže vremena nisu korištene, prije upotrebe napuniti.

Temperatura od preko 50°C smanjuje učinak baterija. Duže zagrijavanje od strane sunca ili grijanja izbjeci.

Priključne kontakte na uređaju za punjenje i baterijama držati čistima.

Za optimalni vijek trajanja se akumulatori poslije upotrebe moraju sasvim napuniti.

Za što moguće duži vijek trajanja, akumulatori se nakon punjenja moraju odstraniti iz punjača. Kod skladištenja akumulatora duže od 30 dana: Akumulator skladištiti na suhom kod ca. 27°C. Akumulator skladištiti kod ca. 30%-50% stanja punjenja. Akumulator ponovno napuniti svakih 6 mjeseci.

Istrošene baterije za zamjenu ne bacati u vatru ili u kućno smeće. Milwaukee nudi mogućnost uklanjanja starih baterija odgovarajuće okolini. Milwaukee nudi mogućnost uklanjanja starih baterija odgovarajuće okolini; upitajte molimo Vašeg stručnog trgovca.

Baterije za zamjenu ne čuvati skupa sa metalnim predmetima (opasnost od kratkog spoja).

Baterije sistema M18 puniti samo sa uređajem za punjenje sistema M18. Ne puniti baterije iz drugih sistema.

Baterije za zamjenu i uređaje za punjenje ne otvarati i čuvati ih samo u suhim prostorijama. Čuvati protiv vlage.

**UPOZORENJE!** Zbog izbjegavanja opasnosti od požara jednim kratkim spojem, opasnosti od ozljeda ili oštećenja proizvoda, alat, izmjenjivi akumulator ili napravu za punjenje ne uronjavati u tekućine i pobrinuti se za to, da u uređaje ili akumulator ne prodiru nikakve tekućine. Korozirajuće ili vodljive tekućine kao slana voda, određene kemikalije i sredstva za bijeljenje ili proizvodi koji sadrže sredstva bijeljenja, mogu prouzročiti kratak spoj.

Pod ekstremnim opterećenjem ili ekstremne temperature može iz oštećenih baterija iscuriti baterijska tekućina. Kod dodira sa baterijskom tekućinom odmah isprati sa vodom i sapunom. Kod kontakta sa očima odmah najmanje 10 minuta temeljno ispirati i odmah potražiti liječnika.

U prostor za punjenje baterija u uređaju za punjenje ne smiju dospjeti metalni dijelovi (opasnost od kratkog spoja).

#### ZAŠTITA OD PREOPTEREĆENJA AKUMULATORA

Kod preopterećenja akumulatora prevelikom potrošnjom struje, npr. ekstremno visoki zakretni momenti, ukliještenje radnog alata, naglo zaustavljanje ili kratak spoj, električni alat se zaustavlja 2 sekunde i isključuje se samostalno. Za resetiranje, uklonite baterijski sklop iz alata i vratite ga.

Pod ekstremnim opterećenjima se akumulator prejako zagrije. U tome slučaju trepere sve lampice pokazivača punjenja, sve dok se akumulator ne ohladi. Poslije gašenja pokazivača punjenja se može nastaviti sa radom. Akumulator zatim utaknuti u punjač kako bi se ovaj ponovno napunio i zatim aktivirao.

#### TRANSPORT LITIJSKIH IONSKIH BATERIJA

Litijske-ionske baterije spadaju pod zakonske odredbe u svezi transporta opasne robe.

Prijevoz ovih baterija mora uslijediti uz poštivanje lokalnih, nacionalnih i internacionalnih propisa i odredaba.

Korisnici mogu bez ustručavanja ove baterije transportirati po cestama.

Komerčajni transport litijsko-ionskih baterija od strane transportnih poduzeća spada pod odredbe o transportu opasne robe. Otpremničke pripreme i transport smiju izvoditi isključivo odgovarajuće školovane osobe. Kompletni proces se mora pratiti na stručan način.

Kod transporta baterija se moraju poštivati slijedeće točke:

Uvjerite se da su kontakti zaštićeni i izolirani kako bi se izbjegli kratki spojevi.

Pazite na to, da blok baterija unutar pakiranja ne može proklizavati.

Oštećene ili iscurjele baterije se ne smiju transportirati.

U svezi ostalih uputa obratite se vašem prijevoznom poduzeću.



## PROPIŠNA UPOTREBA

Bušići čekić je univerzalno upotrebljiv za čekićno bušenje i klesanje u kamenu i betonu.

## ODRŽAVANJE

Prije svih radova na stroju izvaditi bateriju za zamjenu.

Prereze za prozračivanje stroja uvijek držati čistima.

Primijeniti samo Milwaukee opremu i Milwaukee rezervne dijelove. Sastavne dijelove, čija zamjena nije opisana, dati zamijeniti kod jedne od Milwaukee servisnih službi (poštivati brošuru Garancija/Adrese servisa).

Po potrebi se može zatražiti crtež eksplozije aparata uz davanje podataka o tipu stroja i desetoznamenkastog broja na pločici snage kod Vaše servisne službe ili direktno kod Techtronic Industries GmbH, Max-Eyth-Straße 10, 71364 Winnenden, Germany.

## CE-IZJAVA KONFORMNOSTI

Izjavljujemo pod vlastitom odgovornošću da proizvod opisan u odjeljku „Tehnički podaci“ ispunjava sve potrebne odredbe smjernica 2011/65/EU (RoHS)

2006/42/EC

2014/53/EU

i da su korišteni sljedeći usklađeni standardi

EN 60745-1:2009 + A11:2010

EN 60745-2-6:2010

EN 55014-1:2017+A11:2020

EN 55014-2:2015

EN IEC 63000:2018

EN 301 489-1 V2.2.3

EN 301 489-17 V3.1.1

EN 300 328 V2.2.2

EN 62479:2010



Winnenden, 2020-11-30

Alexander Krug / Managing Director  
Ovlašten za formiranje tehničke dokumentacije.

Techtronic Industries GmbH  
Max-Eyth-Straße 10, 71364 Winnenden, Germany

## SIMBOLI



PAŽNJA! UPOZORENIE! OPASNOST!



Prije svih radova na stroju izvaditi bateriju za zamjenu.



Molimo da pažljivo pročitate uputu o upotrebi prije puštanja u rad.



Oprema - u opsegu isporuke nije sadržana, preporučena dopuna iz promograma opreme.



Sustav protiv vibracija



Ne upotrebljavati silu.



Kod radova na stroju uvijek nositi zaštitne naočale.



Nosite zaštitu za sluh.



Uređaj sadrži gumbaste litijevе baterije.



Elektrouređaji, baterije/akumulatori se ne smiju zbrinjavati skupa sa kućnim smećem. Električni uređaji i akumulatori se moraju skupljati odvojeno i predati na zbrinjavanje primjereno okolišu jednom od pogona za iskorišćavanje. Raspitajte se kod mjesnih vlasti ili kod stručnog trgovca u svezi gospodarstva za recikliranje i mjesta skupljanja.

$n_0$

Broj okretaja praznog hoda

V

Napon



Istosmjerna struja



Europski znak suglasnosti



Britanski znak suglasnosti



Ukrajinski znak suglasnosti

001



Euroazijski znak suglasnosti



TEHNISKIE DATI	M18 FHM
<b>Akumulatora rotējošais āmurs</b>	
Izlaides numurs	4696 96 02... ... 000001-999999
Frekvenču josla	2402-2480 MHz
Signāla jauda	1,8 dBm
Akumulatora spriegums	18 V
Tukšgaitas apgriezīnu skaits	380 min <sup>-1</sup>
Sitienu biežums ar slodzi maksimālais	2900 min <sup>-1</sup>
Atsevišķo triecienu enerģija atbilstoši EPTA-Procedure 05/2009	11 J
Kakla diametrs	66 mm
Urbšanas diametrs betonā	45 mm (SDS-max)
Tunelurbis betonam, kīeģeļiem un kaļķsmilšakmenim	65 mm (SDS-max)
Dobs kronurbis betonam, kīeģeļiem un kaļķsmilšakmenim	150 mm (SDS-max)
Svars atbilstoši EPTA -Procedure 01/2014 (Li-Ion 5,0 Ah ... 12,0 Ah))	9,7 ... 10,4 kg
Darbībai ieteicamā apkārtnes temperatūra	-18 °C ... +50 °C
Ieteicamie akumulatoru komplekti	M18B5 – M18HB12
Ieteicamās uzlādes ierices	M12-18...
<b>Trokšņu informācija</b>	
Vērtības, kas noteiktas saskaņā ar EN 60745. A novērtētās aparatūras skaņas līmenis ir:	
Trokšņa spiediena līmenis (Nedrošība K=3dB(A))	96,5 dB (A)
Trokšņa jaudas līmenis (Nedrošība K=3dB(A))	107,5 dB (A)
<b>Nēsāt trokšņa slāpētāju!</b>	
<b>Vibrāciju informācija</b>	
Svārstību kopējā vērtība (Trīs virzienu vektoru summtiek noteikta atbilstoši EN 60745.	
Urbšana betonā	
svārstību emisijas vērtība a <sub>h,HD</sub>	9,4 m/s <sup>2</sup>
Nedrošība K=	1,5 m/s <sup>2</sup>
Skaldīšana:	
svārstību emisijas vērtība a <sub>h,Cheq</sub>	9,4 m/s <sup>2</sup>
Nedrošība K=	1,5 m/s <sup>2</sup>



## UZMANĪBU!

Instrukciju norādītā svārstību robežvērtība ir izmērīta mērījumu procesā, kas veikts atbilstoši standartam EN 60745, un to var izmantot elektroinstrumentu savstarpējai salīdzināšanai. Tā ir piemērota arī svārstību noslogojuma pagaidu izvērtēšanai.

Norādītā svārstību robežvērtība ir reprezentatīva elektroinstrumenta pamata pielietojuma jomām. Tomēr, ja elektroinstrumenti tiek pielietoti citās jomās, papildus izmantojot neatbilstošus elektroinstrumentus vai pēc nepietiekamas tehniskās apkopes, tad svārstību robežvērtība var atšķirties. Tas var ievērojami palielināt svārstību noslogojumu visa darba laikā.

Precīzai svārstību noslogojuma noteikšanai, ir jāņem vērā arī laiks, kad ierices ir izslēgta vai arī ir ieslēgta, tomēr faktiski netiek lietota. Tas var ievērojami samazināt svārstību noslogojumu visa darba laikā.

Integrējiet papildus drošības pasākumus pret svārstību ietekmi lietotājam, piemēram: elektroinstrumentu un darba instrumentu tehniskā apkope, roku siltuma uzturēšana, darba procesu organizācija.

**⚠ UZMANĪBU! Izlasiet visu drošības instrukciju un lietošanas pamācību klāt.** Šeit sniegto drošības noteikumu un norādījumu neievērošana var izraisīt aizdegšanos un būt par cēloni elektriskajam triecienam vai nopietnam savainojumam.  
**Pēc izlasīšanas uzglabājiet šos noteikumus turpmākai izmantošanai.**

## ⚠ DROŠĪBAS INSTRUKCIJAS ROTĀCIJAS ĀMURU

**Nēsājiet ausu aizsargus.** Trokšņa iedarbība var izraisīt dzirdes zudumu.

**Lietojiet instrumentam pievienotos papildus rokturus.** Zaudējot kontroli, var gūt ievainojumus.

**Lerīci turiet aiz izolētiem rokturiem, ja veicat darbus, kuros griešanas darbiem izmantojamais instruments var skart paslēptus elektrovadus.** Šī instrumenta saskare ar strāvu vadošiem kabeliem var radīt spriegumu arī ierices metāliskajās daļās un var izraisīt elektrisko triecienu.

## Citas drošības un darba instrukcijas

Jāizmanto aizsargapriekojums. Strādājot ar mašīnu, vienmēr jānēsā aizsargbrilles. Ieteicams nēsāt aizsargapģērbus, kā piemēram, aizsargmasku, aizsargcimdus, kurpes no stingra un neslidīga materiāla, ķiveri un ausu aizsargus.

Putekļi, kas rodas strādājot, bieži ir kaitīgi veselībai, un tiem nevajadzētu nokļūt ķermenī. Vajag izmantot putekļusūcēju un bez tam nēsāt masku, kas pasargā no putekļiem. Nosēdušos putekļus vajag aizvākt, piem. nosūknēt.

Nedrīkst apstrādāt materiālus, kas rada draudus veselībai (piemēram, azbestu).

Veicot darbus sienu, griestu un grīdas apvidū, vajag uzmanīties, lai nesabojātu elektriskos, gāzes un ūdens vadus.

Ja izmantojamais darba rīks tiek bloķēts, nekavējoties izslēgt ierīci! Neieslēdziet ierīci, kamēr izmantojamais darba rīks ir bloķēts; var rasties atsitieni ar augstu griezes momentu. Noskaidrojiet un novērsiet izmantojamā darba rīka bloķēšanas iemeslu, ievērojot visas drošības norādes.

Automātiskās apstāšanās iespējamie iemesli:

- iesprūdis apstrādājamajā materiālā
- Apstrādājamā materiāla caurubšana
- elektroinstruments ir pārslogots

Leslēgtai ierīcei nepieskarties.

Izmantojamais darba rīks darba gaitā var stipri sakarst.

**UZMANĪBU!** Bistamba apdedzināties

- veicot darba rīka nomaiņu
- noliekot iekārtu

Skaidas un atļūdas nedrīkst ņemt ārā, kamēr mašina darbojas.

Fiksējiet apstrādājamo materiālu ar fiksācijas aprīkojumu.

Nenostiprināti materiāli var izraisīt smagus savainojumus un bojājumus.

Pirms mašīnai veikt jebkāda veida apkopes darbus, ir jāizņem ārā akumulātors.

### UZMANĪBU



Šai ierīcei ir pogas/monētas tipa litija baterija. Ja jauna vai lietota baterija tiek norīta vai nonāk ķermenī, tā ar izraisīt smagus iekšējus apdegumus un nāvi ātrāk nekā 2 stundu laikā. Vienmēr nostipriniet baterijas nodalījuma vāciņu. Ja tas droši neaizveras, apturiet ierīci, izņemiet bateriju un noglabājiet bērniem nepieejamā vietā. Ja domājat, ka baterijas ir norītas vai citādi nonākušas ķermenī, nekavējoties meklējiet medicīnisku palīdzību.

### GRIEŠANAS OPERĀCIJA

#### Aukstā iedarbināšana

Ja šis instruments tiek ilgstoši uzglabāts vai uzglabāts aukstā temperatūrā, tas sākotnēji var nedarboties, jo eļļa ir kļuvusi stingra.

Instrumenta uzsilšana

1. Ievietojiet instrumentā uzglabātus vai aukstus ierīces komponentus.
2. Nospiediet sprūdu un uz dažām sekundēm ar spēku spiediet uzglabātus vai aukstus ierīces komponentus. Atlaižiet sprūdu.
3. Atkārtojiet šo darbību, kamēr instruments sāk kalšanas darbību. Jo aukstāks ir instruments, jo ilgāks laiks būs nepieciešams tā uzsilšanai.

### ONE-KEY™

Lai uzminātu vairāk par šā instrumenta ONE-KEY funkciju, izlasiet pievienoto ātrās palīdzības instrukciju vai apmeklējiet mūs internetā <http://www.milwaukeetool.com/one-key>.

ONE-KEY lietotni savā viedtālrunī varat lejupielādēt no App Store vai Google Play. Pārbaudes rezultāts izpilda mūsu minimālās prasības atbilstoši standartam EN 301489-1 / EN 301489-17. Lietošanas instrukcijas klientam ir sniegtas lietotāja rokasgrāmatā.

### AKUMULĀTORI

Akumulātori, kas ilgāku laiku nav izmantoti, pirms lietošanas jāuzsildē.

Pie temperatūras, kas pārsniedz 50°C, akumulātoru darbība tiek negatīvi ietekmēta. Vajag izvairīties no ilgākas saules un karstuma iedarbības.

Lādētāja un akumulātoru pievienojuma kontakti jāuztur tīri.

Lai baterijas darba ilgums būtu optimāls, pēc iekārtas izmantošanas tā jāuzsildē.

Lai akumulātoru kalpotu pēc iespējas ilgāku laiku, tos pēc uzlādes ieteicams atvienot no lādētāja ierīces. Akumulātoru uzglabāšana ilgāk kā 30 dienas: uzglabāt akumulātoru pie aptuveni 27°C un sausā vietā. Uzglabāt akumulātoru uzlādes stāvoklī aptuveni pie 30%-50%. Uzlādēt akumulātoru visus 6 mēnešus no jauna.

Izmantotos akumulārus nedrīkst mest uguni vai parastajos atkritumos. Firma Milwaukee piedāvā iespēju vecos akumulātorus savākt apkārtējo vidi saudzējošā veidā; jautājiet specializētā veikalā. Akumulātorus nav ieteicams glabāt kopā ar metāla priekšmetiem (iespējams iesslēgums).

M18 sistēmas akumulātorus lādēt tikai ar M18 sistēmas lādētājiem.

Nedrīkst lādēt citus akumulātorus no citām sistēmām.

Akumulātorus un lādētājus nedrīkst taisyt vaļā un tie jāuzglabā sausās telpās.

**UZMANĪBU!** Lai novērstu savainojuma izraisītu aizdegšanās, savainojumu vai produkta bojājuma risku, neiegremdējiet instrumentu, maināmo akumulātoru vai uzlādes ierīci šķidrums un rūpējieties par to, lai ierīces un akumulātoros neiekļūtu šķidrums. Koroziju izraisoši vai vadītspējīgi šķidrums, piemēram, sālsūdens, noteiktas ķīmikālijas, balinātāji vai produkti, kas satur balinātājus, var izraisīt savainojumu.

Pie ārkārtas šlodzes un ārkārtas temperatūrām no bojātā akumulātorā var iztect akumulātorā šķidrums. Ja nonākat saskarsmē ar akumulātorā šķidrums, saskarsmes vieta nekavējoties jānomazgā ar ūdeni un ziepēm. Ja šķidrums nonācis acīs, acis vismaz 10 min. skalot un nekavējoties konsultēties ar ārstu.

Jāuzmanās, lai akumulātoru lādētājā nenokļūtu nekādi metāla priekšmeti (iespējams iesslēgums).

### AKUMULĀTORA AIZSARDZĪBA PRET PĀRSLOGOJUMU

Ja akumulātoru tiek pārslogoti ļoti liela strāvas patēriņa rezultātā, piemēram, ļoti lielos griezes momentos, iesprūstot darba rīkam, pēkšņi apstājoties vai savainojuma gadījumā elektroinstruments apstājas uz 2 sekundēm un pats izslēdzas. Noņemiet akumulātoru komplektu no ierīces un atlieciet to atpakaļ.

Esot ārkārtīgi augstam noslogojumam, akumulātors sakarst pārāk daudz. Šādā gadījumā visas uzlādes indikatora lampiņas mirgo tik ilgi, kamēr akumulātors ir atdzisis. Darbu varat turpināt, kad uzlādes indikators vairs nedeg. Akumulātoru var ievietot lādētājā, lai to atkal uzlādētu un aktivizētu.

### LITĪJA JONU AKUMULĀTORU TRANSPORTĒŠANA

Uz litija jonu akumulātoriem attiecas noteikumi par bīstamo kravu pārvadāšanu.

Šo akumulātoru transportēšana jāveic saskaņā ar vietējiem, valsts un starptautiskajiem normatīvajiem aktiem un noteikumiem.

Patērētāja darbības, pārvadājot šos akumulātorus pa autoceļiem, nav reglamentētas.

Uz litija jonu akumulātoru komerciālu transportēšanu, ko veic ekspedīcijas uzņēmums, attiecas bīstamo kravu pārvadāšanas noteikumi. Sagatavošanas darbus un transportēšanu drīkst veikt tikai atbilstoši apmācīts personāls. Visi process jāveda profesionāli.

Veicot akumulātoru transportēšanu, jāievēro:

Pārliecinieties, ka kontakti ir aizsargāti un izolēti, lai izvairītos no savainojumiem.

Pārliecinieties, ka akumulātors iepakojumā nevar paslidēt.

Bojātus vai tekošus akumulātorus nedrīkst transportēt.

Plašāku informāciju Jūs varat saņemt no ekspedīcijas uzņēmuma.

## NOTEIKUMIEM ATBILSTOŠS IZMANTOJUMS

Atskaldāmais āmurs ir universāli izmantojams urbšanai un akmens un betona skaldīšanai.

## APKOPE

Pirms mašīnai veikt jebkāda veida apkopes darbus, ir jāizņem ārā akumulators.

Vajag vienmēr uzmanīt, lai būtu tīras dzesēšanas atveres.

Izmantojiet tikai firmu Milwaukee piederumus un firmas Milwaukee rezerves daļas. Lieciet nomainīt detaļas, kuru nomaiņa nav aprakstīta, kādā no firmu Milwaukee klientu apkalpošanas servisiem. (Skat. brošūru „Garantija/klientu apkalpošanas serviss“.)

Ja nepieciešams, klientu apkalpošanas servisā vai tieši pie firmas Techtronic Industries GmbH, Max-Eyth-Straße 10, 71364 Winnenden, Germany, var pieprasīt instrumenta numurs, kas norādīts uz jaudas panela.

## ATBILSTĪBA CE NORMĀM

Mēs ar pilnu atbildību paziņojam, ka izstrādājums, kas raksturots sadaļā „Tehniskie dati“, atbilst visām attiecīgajām prasībām direktīvās 2011/65/ES (RoHS)

2006/42/EK

2014/53/ES

un ir piemēroti šādi saskaņotie standarti

EN 60745-1:2009 + A11:2010

EN 60745-2-6:2010

EN 55014-1:2017+A11:2020

EN 55014-2:2015

EN IEC 63000:2018

EN 301 489-1 V2.2.3

EN 301 489-17 V3.1.1

EN 300 328 V2.2.2

EN 62479:2010



Winnenden, 2020-11-30

Alexander Krug / Managing Director  
Pilnvarotais tehniskās dokumentācijas sastādīšanā.

Techtronic Industries GmbH  
Max-Eyth-Straße 10, 71364 Winnenden, Germany

## SIMBOLI



UZMANĪBU! BĪSTAMI!



Pirms mašīnai veikt jebkāda veida apkopes darbus, ir jāizņem ārā akumulators.



Pirms sākt lietot instrumentu, lūdzu, izlasiet lietošanas pamācību.



Piederumi - standartapriekojumā neietvertās, bet ieteicamās papildus komplektācijas detaļas no piederumu programmas.



PRETVIBRĀCIJAS sistēma



Nepielietot spēku



Strādājot ar mašīnu, vienmēr jānēsā aizsargbrilles.



Nēsājiet ausu aizsargus.



Šai ierīcei ir pogas/monētas tipa litija baterija.



Elektriskos aparātus, baterijas/akumulatorus nedrīkst utilizēt kopā ar mājāsaimniecības atkritumiem. Elektriski aparāti un akumulatori ir jāsavāc atsevišķi un jānodod atkritumu pārstrādes uzņēmumā viedei saudzīgai utilizācijai. Jautājiet vietējā iestādē vai savam specializētajam tirgotājam, kur atrodas atkritumu pārstrādes uzņēmumi vai savākšanas punkti.

$n_0$

Tukšgaitas apgriezīenu skaits

V

Voltāža



Līdzstrāva



Eiropas atbilstības zīme



Lielbritānijas atbilstības zīme



Ukrainas atbilstības zīme

001



Eirāzijas atbilstības zīme



TECHNINIAI DUOMENYS	M18 FHM
<b>Sukamasis plaktukas su akumulatoriumi</b>	
Produkto numeris	4696 96 02... ... 000001-999999
dažnių juosta	2402-2480 MHz
radijo dažnių galia	1,8 dBm
Keičiamo akumulatoriaus įtampa	18 V
Sūkių skaičius laisva eiga	380 min <sup>-1</sup>
Smūgių skaičius su apkrova maks.	2900 min <sup>-1</sup>
Smūgio energija pagal „EPTA-Procedure 05/2009“	11 J
Įveržimo ašies ø	66 mm
Gręžimo ø betone	45 mm (SDS-max)
Cilindrinis grąžtas betonui, degintoms ir silikatinėms plytoms	65 mm (SDS-max)
Vamzdinė gręžimo galvutė betonui, degintoms ir silikatinėms plytoms	150 mm (SDS-max)
Prietaiso svoris įvertintas pagal EPTA 01/2014 tyrimų metodiką (Li-Ion 5,0 Ah ... 12,0 Ah)	9,7 ... 10,4 kg
Rekomenduojama aplinkos temperatūra eksploatuojant	-18 °C ... +50 °C
Rekomenduojami akumulatoriai	M18B5 – M18HB12
Rekomenduojami įkrovikliai	M12-18...
<b>Informacija apie keliamą triukšmą</b>	
Vertės matuotos pagal EN 60745. Įvertintas A įrenginio keliamo triukšmo lygis dažniausiai sudaro:	
Garso slėgio lygis (Paklaida K=3dB(A))	96,5 dB (A)
Garso galios lygis (Paklaida K=3dB(A))	107,5 dB (A)
<b>Nešioti klausos apsaugines priemones!</b>	
<b>Informacija apie vibraciją</b>	
Bendroji svyravimų reikšmė (trių krypčių vektorių suma), nustatyta remiantis EN 60745.	
Gręžimas betone	
Vibravimų emisijos reikšmė a <sub>h,HD</sub>	9,4 m/s <sup>2</sup>
Paklaida K=	1,5 m/s <sup>2</sup>
Atskėlimas:	
Vibravimų emisijos reikšmė a <sub>h,Cheq</sub>	9,4 m/s <sup>2</sup>
Paklaida K=	1,5 m/s <sup>2</sup>



## DĖMESIO!

Instrukcijoje nurodyta svyravimų ribinė vertė yra išmatuota remiantis standartu EN 60745; ji gali būti naudojama keliems elektriniams instrumentams palyginti. Ji taikoma ir laikinai įvertinti svyravimų apkrovą.

Nurodyta svyravimų ribinė vertė yra taikoma pagrindinėse elektrinio instrumento naudojimo srityse. Svyravimų ribinė vertė gali skirtis naudojant elektrinį instrumentą kitose srityse, papildomai naudojant netinkamus elektrinius instrumentus arba juos nepakankamai techniškai prižiūrint. Dėl to viso darbo metu gali žymiai padidėti svyravimų apkrova.

Siekiant tiksliai nustatyti svyravimų apkrovą, būtina atsižvelgti ir į laikotarpį, kai įrenginys yra išjungtas arba įjungtas, tačiau faktiškai nenaudojamas. Dėl to viso darbo metu gali žymiai sumažėti svyravimų apkrova.

Siekiant apsaugoti vartotojus nuo svyravimo įtakos naudojamos papildomos saugos priemonės, pavyzdžiui, elektrinių darbo instrumentų techninė priežiūra, rankų šilumos palaikymas, darbo procesų organizavimas.



**DĖMESIO! Perskaitykite visas saugumo pastabas ir nurodymus.** Jei nepaisysite žemiau pateiktų saugos nuorodų ir reikalavimų, gali trenkti elektros smūgis, kilti gaisras ir/arba galite sunkiai susižaloti arba sužaloti kitus asmenis.

**Išsaugokite šias saugos nuorodas ir reikalavimus, kad ir ateityje galėtumėte jais pasinaudoti.**



## SAUGOS INSTRUKCIJOS PERFORATORIAI

**Nešiokite klausos apsaugos priemones.** Dėl didelio triukšmo poveikio gali būti pažeidžiama klausos.

**Naudokite į prietaiso komplektaciją įeinančias papildomas rankenas.** Nesuvaldžius prietaiso galima susižeisti.

**Dirbdami laikykite prietaisą už izoliuotų vietų, kuriose pjovimo įrenginys pats galėtų liesti paslėptus laidus.** Pjovimo įrenginio kontaktas su įtampos laidais gali įelektrinti metalines prietaiso dalis, o tai gali sukelti elektros iškvėpą.

## Kiti saugumo ir darbo nurodymai

Dėvėkite apsaugines priemones. Dirbdami su mašina visada užsidėkite apsauginius akinius. Rekomenduotina dėvėti apsaugines priemones: apsaugos nuo dulkių respiratorius, apsaugines pirštines, kitus batus neslidžiais padais, šalimą ir klausos apsaugos priemones.

Darbo metu kylančios dulkės dažnai kenkia sveikatai, todėl turėtų nepatekti į organizmą. Naudokite dulkių nusiurbimą, papildomai nešiokite tinkamą apsaugos nuo dulkių kaukę. Kruopščiai pašalinkite, pvz. nusiurbkite, nusėdusias dulkes.

Negalima apdirbti medžiagų, dėl kurių galimi sveikatos pažeidimai (pvz., asbesto).

Dirbdami sienoje, lubose arba grindyse, atkreipkite dėmesį į elektros laidus, dujų ir vandens vamzdžius.

Blokuojant įstatomąjį įrankį būtina išjungti prietaisą! Neįjunkite prietaiso, kol įstatomasis įrankis yra užblokuotas; galimas grįžtamasis smūgis su dideliu sukimo momentu. Atsižvelgdami į saugumo nurodymus, nustatykite ir pašalinkite įstatomojo įrankio blokavimo priežastį.

Galimos to priežastys:

- Susidariusios apdirbamo ruošinio briaunos
- Apdirbamos medžiagos lūžimas
- Elektros įrankio perkrova

Nekiškite rankų į veikiančią mašiną.

Naudojamas įstatomasis įrankis gali įkaisti.

DEMESIO! Pavojus nusideginti

- keičiant įrankį
- padedant prietaisą

Draudžiama išiminėti drožles ar nuopjovas, įrenginiui veikiančiam.

Ruošinį užfiksuokite įtempimo įrenginiu. Neužfiksuoti ruošiniai gali sunkiai sužaloti ir būti pažeidimų priežastimi.

Prieš atlikdami bet kokius darbus įrenginyje, išimkite keičiamą akumuliatorių.

## DEMESIO



Įrenginyje yra mygtuko / tabletės tipo ličio maitinimo elementas. Prarytas ar kaip nors kitaip patekęs į organizmą naujas arba naudotas maitinimo elementas per 2 valandas gali sukelti sunkių vidinių nudegimų ar mirtį. Visada pritvirtinkite maitinimo elemento skyriaus dangtį. Jei dangtis neužsidaro, išjunkite įrenginį, išimkite maitinimo elementą ir padėkite jį vaikams nepasiekiamoje vietoje. Jei manote, kad koks nors asmuo galėjo praryti maitinimo elementą arba jį kaip nors kitaip pateko į organizmą, nedelsdami kreipkitės į gydytoją.

## NAUDOJIMAS

### Šaltas paleidimas

Jei įrenginys nebus naudojamas ilgesnį laiką arba laikomas žemoje temperatūroje, gali užtrukti jo įjungimas, nes šiluminis tepalas sustingsta esant žemai aplinkos temperatūrai.

Sušildyti įrenginį

1. Įdėkite ir užfiksuokite arba kirkite į paviršų.
2. Patraukite už įjungimo / išjungimo mygtuko ir kelias sekundes naudodami jėgą pridėkite kirtiklį prie betono ar medienos paviršiaus. Paleiskite išjungimo / įjungimo mygtuką.
3. Kartokite tol, kol įrenginys pradės skleisti kalimo garus. Kuo šaltesnis įrenginys, tuo ilgiau užtruks jį sušildyti.

## ONE-KEY™

Kad daugiau sužinotumėte apie šio įrankio ONE-KEY funkcionalumą, perskaitykite pridėdamą greitą pasirengimo darbui instrukciją arba aplankykite mus internete, adresu <http://www.milwaukeetool.com/one-key>.

Jūs galite iš „App Store“ arba „Google Play“ į savo išmanųjį telefoną atsisiųsti ONE-KEY programėlę. Bandymų rezultatai atitinka mūsų minimalius reikalavimus pagal EN 301489-1 / EN 301489-17. Naudojimo patarimų klientui bus pateikiama naudotojo vadove.

## AKUMILIATORIAI

Ilgesnį laiką nenaudotus keičiamus akumuliatorius prieš naudojimą įkraukite.

Aukštesnė nei 50°C temperatūra mažina keičiamų akumuliatorių galią. Venkite ilgesnio saulės ar šilumos šaltinių poveikio.

Įkroviklio ir keičiamo akumuliatoriaus jungiamieji kontaktai visada turi būti švarūs.

Kad prietaisas kuo ilgiau veiktų, pasinaudoję juo, iki galo įkraukite akumuliatorių.

Siekiant užtikrinti kuo ilgesnį baterijos tarnavimo laiką, reikėtų ją po atlikto įkrovimo išimti iš įkroviklio. Bateriją laikant ilgiau nei 30 dienų, būtina atkreipti dėmesį į šias nuorodas: bateriją laikyti sausoje aplinkoje, esant apie 27 °C temperatūrai. Baterijos įkrovimo lygis turi būti nuo 30% iki 50%. Baterija pakartotinai turi būti įkraunama kas 6 mėnesius.

Sunaudoję keičiamų akumuliatorių nedeginkite ir nemeskite į buitines atliekas. „Milwaukee“ siūlo tausojančią aplinką sudėvėtą keičiamų akumuliatorių tvarkymą, apie tai prekybos atstovo.

Keičiamų akumuliatorių nelaikykite kartu su metaliniais daiktais (trumpojo jungimo pavojus).

Keičiamas M18 sistemos akumuliatorius kraukite tik „M18“ sistemos įkrovikliams. Nekraukite kitų sistemų akumuliatorių.

Keičiamų akumuliatorių ir įkroviklių nelaiškite atvirai. Laikykite tik sausoje vietoje. Saugokite nuo drėgmės.

DEMESIO! Siekdami išvengti trumpojo jungimo sukiamą gaisro pavojų, sužalojimų arba produkto pažeidimų, nekiškite įrankio, keičiamo akumuliatoriaus arba įkroviklio į skysčius ir pasirūpinkite, kad į prietaisus arba akumuliatorius nepatektų jokių skysčių. Koroziją sukeliantys arba laidūs skysčiai, pvz., sūrus vanduo, tam tikri chemikalai ir balikliai arba produktai, kurių sudėtyje yra baliklių, gali sukelti trumpąjį jungimą.

Ekstremalių apkrovų arba ekstremalios temperatūros poveikyje iš keičiamų akumuliatorių gali ištėkėti akumuliatoriaus skystis. Išsėpus akumuliatoriaus skysčiu, tuoj pat nuplaukite vandeniu su muilu. Patekęs į akis, tuoj pat ne trumpiau kaip 10 minučių gausiai skalaukite vandeniu ir tuoj pat kreipkitės į gydytoją.

Į įkroviklių keičiamiems akumuliatoriams įstatymui skirtą vamzdį turi nepatekti jokie metalinės dalys (trumpojo jungimo pavojus).

## APSAUGA NUO AKUMILIATORIAUS PERKROVOS

Jeigu akumuliatorių tenka didelės elektros energijos sąnaudoms, pavyzdžiui, ypač dideli sukimo momentai, įstatomo įrankio užstrigimas, staigus sustabdymas arba trumpasis jungimas, elektros įrankis sustabdomas 2 s ir po to pats išsijungia. Norėdami nustatyti iš naujo, išimkite iš įrankio akumuliatorių ir vėl jį įdėkite.

Esant ekstremalioms apkrovoms akumuliatorius per stipriai įkaista. Tokiu atveju visos įkrovos lemputės mirks taip ilgai, kol akumuliatorius atvėsta. Užgesus įkrovos rodomenims įrankiu galima naudotis toliau. Tada akumuliatorių reikia įkrovikli, kad jis įsikrūtų ir veiktų.

## LIČIO JONŲ AKUMILIATORIŲ PERVEŽIMAS

Ličio jonų akumuliatoriams taikomos įstatyminės nuostatos dėl pavojingų krovinių pervežimų.

Šiuos akumuliatorius pervežti būtina laikantis vietinių, nacionalinių ir tarptautinių direktyvų ir nuostatų.

Naudotojai šiuos akumuliatorius gali naudoti savo transporte be jokių kitų sąlygų.

Už komercinį ličio jonų akumuliatorių pervežimą atsako ekspedicijos įmonė pagal nuostatas dėl pavojingų krovinių pervežimo. Pasiruošimo išsiųsti ir pervežimo darbus gali atlikti tik atitinkamai išmokyti asmenys. Visas procesas privalo būti prižiūrimas.

Pervežant akumuliatorius būtina laikytis šių punktų:

Siekiant išvengti trumpųjų jungimų, įsitinkinkite, kad kontaktai yra apsaugoti ir izoliuoti.

Atkreipkite dėmesį, kad akumuliatorius pakuočės viduje neslidinėtų.



Liet

Draudžiama pervežti pažeistus arba tekančius akumulatorius.  
Dėl detalesnių nurodymų kreipkitės į savo ekspedicijos įmonę.

### NAUDOJIMAS PAGAL PASKIRTĮ

Smūginį gręžtuvą galima universaliai naudoti smūginiam gręžimui bei kalimui uolienoje ir betone.

### TECHNINIS APARTNAVIMAS

Prieš atlikdami bet kokius darbus įrenginyje, išimkite keičiamą akumuliatorių.

Įrenginio vėdinimo angos visada turi būti švarios.

Naudokite tik „Milwaukee“ priedus ir „Milwaukee“ atsargines dalis. Dalis, kurių keitimas neaprašytas, leidžiama keisti tik „Milwaukee“ klientų aptarnavimo skyriams (žr. garantiją/klientų aptarnavimo skyrių adresus brošiūroje).

Jei reikia, nurodant įrenginio tipą bei specifikacijų lentelėje esantį numerį, iš klientų aptarnavimo skyriaus arba tiesiai iš Techtronic Industries GmbH, Max-Eyth-Straße 10, 71364 Winnenden, Germany, galima užsisakyti prietaiso surinkimo brėžinius.

### CE ATITIKTIES PAREIŠKIMAS

Prisiimdami visą atsakomybę pareiškiamo, kad gaminyje, aprašytas „Techniniuose duomenyse“, atitinka taikomus reikalavimus, išdėstytus direktyvose

2011/65/ES (RoHS)

2006/42/EB

2014/53/ES

ir buvo taikyti šie darnieji standartai

EN 60745-1:2009 + A11:2010

EN 60745-2-6:2010

EN 55014-1:2017+A11:2020

EN 55014-2:2015

EN IEC 63000:2018

EN 301 489-1 V2.2.3

EN 301 489-17 V3.1.1

EN 300 328 V2.2.2

EN 62479:2010



Winnenden, 2020-11-30

Alexander Krug / Managing Director  
Įgaliotas parengti techninius dokumentus.

Techtronic Industries GmbH  
Max-Eyth-Straße 10, 71364 Winnenden, Germany

### SIMBOLIAI



DĖMESIO! ĮSPĖJIMAS! PAVOJUS!



Prieš atlikdami bet kokius darbus įrenginyje, išimkite keičiamą akumuliatorių.



Prieš pradėdami dirbti su prietaisu, atidžiai perskaitykite jo naudojimo instrukciją.



Priedas – neįeina į tiekimo komplektaciją, rekomenduojamas papildymas iš priedų asortimento.



APSAUGOS nuo vibracijos sistema



Nenaudoti jėgos.



Dirbdami su įrenginiu visada nešiokite apsauginius akinius.



Nešiokite klausos apsaugos priemones.



Įrenginyje yra mygtuko / tabletės tipo ličio maitinimo elementas.



Elektros prietaisų, baterijų/akumuliatorių šalinti kartu su buitiniams atliekoms negalima. Elektros prietaisus ir akumuliatorius reikia surinkti atskirai ir atiduoti perdirbimo įmonei, kad būtų pašalinti aplinkai saugiu būdu. Vietos valdžios institucijose arba specializuotose prekybos vietose pasidomėkite apie perdirbimo ir surinkimo centrus.

n<sub>0</sub>

Sūkių skaičius laisva eiga

v

Įtampa



Nuolatinė srovė



Europos atitikties ženklas



Britanijos atitikties ženklas



Ukrainos atitikties ženklas

001



Eurazijos atitikties ženklas

TEHNILISED ANDMED	M18 FHM
<b>Juhtmeta pöördvasar</b>	
Tootmisnumber	4696 96 02... ... 000001-999999
Sagedusriba	2402-2480 MHz
Saatevõimsus	1,8 dBm
Vahetatava aku pingeline	18 V
Pöörlemiskiirus tühijooksul	380 min <sup>-1</sup>
Löövide arv koormusega max	2900 min <sup>-1</sup>
Löögitugevus EPTA-Procedure 05/2009 kohaselt	11 J
Kinnituskaela ø	66 mm
Puuri ø betoonis	45 mm (SDS-max)
Tunnelpuur betoonis, tellistes ja silikaatkivides	65 mm (SDS-max)
Õõnes-kroonpuur betoonis, tellistes ja silikaatkivides	150 mm (SDS-max)
Kaal vastavalt EPTA-protseduurile 01/2014 (Li-Ion 5,0 Ah ... 12,0 Ah)	9,7 ... 10,4 kg
Soovituslik keskkonna temperatuur töötamiseks	-18 °C ... +50 °C
Soovituslikud akupakid	M18B5 – M18HB12
Soovituslik laadija	M12-18...
<b>Müra andmed</b>	
Mööteväärtused on kindlaks tehtud vastavalt normile EN 60745. Seadme tüüpiline hinnanguline (müratase: Helirõhutase (Määramatus K=3dB(A)) Helivõimsuse tase (Määramatus K=3dB(A))	96,5 dB (A) 107,5 dB (A)
<b>Kandke kaitseks kõrvaklappe!</b>	
<b>Vibratsiooni andmed</b>	
Vibratsiooni koguväärtus (kolme suuna vektorsummamöödetud EN 60745 järgi.	
Puurimine betoonis	
Vibratsiooni emissiooni väärtus a <sub>h,HD</sub>	9,4 m/s <sup>2</sup>
Määramatus K=	1,5 m/s <sup>2</sup>
Meiseldamine:	
Vibratsiooni emissiooni väärtus a <sub>h,Cheq</sub>	9,4 m/s <sup>2</sup>
Määramatus K=	1,5 m/s <sup>2</sup>



Est

## TÄHELEPANU!

Antud juhendis toodud vonketase on möödetud EN 60745 standardile vastava mõõtesüsteemiga ning seda võib kasutada erinevate elektriseadmete omavahelises võrdlemises. Antud näitaja sobib ka esmaseks vonkekoormuse hindamiseks.

Antud vonketase kehtib elektriseadme kasutamisel sihtotstarbiselt. Kui elektriseadet kasutatakse muudel otstarvetel, muude tööriistadega või seda ei hooldata piisavalt võib vonketase siintoodust erineda. Eeltoodu võib vonketaset märkimisväärselt tõsta terves töökeskkonnas.

Vonketaseme täpseks hindamiseks tuleks arvestada ka aega, mil seade on välja lülitatud või on küll selle lülitatud, kuid ei ole otseselt kasutuses. See võib märgatavalt vähendada kogu töökeskkonna vonketaset.

Rakendage spetsiaalseid ettevaatusabinõusid töötajate suhtes, kes puutuvad töö käigus palju kokku vibratsiooniga. Nendeks abinõudeks võivad olla, näiteks: elektri- ja tööseadmete korraline hooldus, käte soojendamine, töövoo parem organiseerimine.

**⚠ TÄHELEPANU! Lugege kõik ohutusnõuanded ja juhendid läbi.** Ohutusnõuete ja juhiste eiramise tagajärjeks võib olla elektrilöök, tulekahju ja/või rasked vigastused.

**Hoidke kõik ohutusnõuded ja juhised edasiseks kasutamiseks hoolikalt alles.**

## ⚠ OHUTUSJUHISED PUURVASAR

**Kandke kaitseks kõrvaklappe.** Müra toime võib põhjustada kuulmiskadud.

**Kasutage seadmega koos tarnitud lisakäepidemeid.** Kontrolli kaotamine võib põhjustada vigastusi.

**Tööde puhul, kus löikeadme võib minna vastu peidetud elektrijuhtmeid, hoidke kinni seadme isoleeritud käepidemetest.** Kokkupuude pingestatud juhtmega võib pingestada ka löikeadme metallist osad ning põhjustada elektrilöögi.

## Edasised ohutus- ja tööjuhised

Kasutada kaitsevarustust. Masinaga töötamisel kanda alati kaitseprille. Kaitseriietusena soovitatakse kasutada tolmu- ja kaitsekinnakaid, kinniseid ja libisemisvastase tallaga jalanõusid, kiivrit ja kuulmisteede kaitset.

Töötamisel tekkiv tolm on sageli tervistkahjustav ning ei tohiks organismi sattuda. Kasutage tolmu äraimemist ning kandke täiendavalt sobivat tolmu- ja kaitsemaski. Kogunenud tolm eemaldage põhjalikult, nt imemisega.

Töödelda ei tohi materjale, millest lähtub oht tervisele (nt asbest).

Seina, lae või pöranda tööde puhul pidage silmas elektrijuhtmeid, gaasi- ja veetorusid.

Palun lülitage seade rakendustööriista blokeerumise korral kohe välja! Ärge lülitage seadet sisse tagasi, kuni rakendustööriist on blokeeritud; seejuures võib kõrge reaktsioonimomendiga tagasilöökk tekkida. Tehke ohutusjuhiseid arvesse võttes kindlaks ja kõrvaldage rakendustööriista blokeerumise põhjus.

Automaatse seiskumise võimalikud põhjused:

- viltu asetumine töödeldavas toorikus
- Töödeldava materjali läbipuurimine
- elektritööriista ülekoormamine

Ärge sisestage jäsemeid töötavasse masinasse.

Rakendustööriist võib kasutamise ajal kuumaks minna.

**TÄHELEPANU!** Põletusohut

- tööriista vahetamisel
- seadme ärapanemisel

Puru ega pilpaid ei tohi eemaldada masina töötamise ajal.

Kinnitage toorik kinnipingutusseadise. Kinnitamata toorikud võivad raskeid vigastusi ja kahjustusi põhjustada.

Enne kõiki töid masina kallal võtke vahetatav aku välja.

**TÄHELEPANU**



See seade sisaldab nõppatareid (liitiumpatarei). Uus või kasutatud patareid võib põhjustada raskeid sisemisi põletusi ja surma vaid 2 tunniga pärast allaneelamist või organismi sattumist. Kinnitage alati akupesa kate. Kui see ei sulgu turvaliselt, seisake seade, eemaldage patareid ja hoidke seda lastele kättesaamatult. Kui kahtlustate, et keegi on patareid alla neelanud või see on muul viisil organismi sisenenud, pöörduge kohe arsti poole.

## KASUTAMINE

### Külmalt käivitamine

Kui tööriista ladustatakse pikka aega või külmal temperatuuridel, võib see esialgu mitte liikuda, sest määre on muutunud kõvaks.

Tööriista soojendamine

1. Sisestage ja lukustage tööriista sisse puuriotsik või peitel.
2. Vajutage käivituslülitit ja vajutage puuriotsik või peitel mõneks sekundiks vastu betoon- või puipinda. Vabastage käivituslülitit.
3. Korra, kui tööriist hakkab tööle. Mida külmem on tööriist, seda kauem see soojeneb.

## ONE-KEY™

Lisateabe saamiseks selle tööriista ONE-KEY funktsionaalsuse kohta lugege lisatud lühikasutusjuhend läbi või külastage internetis meie kodulehte <http://www.milwaukeetool.com/one-key>

ONE-KEY rakenduse saate App Store või Google Play kaudu oma nutitelefonile alla laadida. Katsetulemus täidab meie miinimumnõudeid EN 301489-1 / EN 301489-17 järgi. Klient saab kasutusjuhiseid lugeda kasutusjuhendist.

## AKUD

Pikemat aega mittekasutatud akusid laadige veel enne kasutamist. Temperatuur üle 50 °C vähendab vahetatava aku töövoimet. Vältige pikemat soojenemist päikese või kütteseadme mõjul.

Hoidke laadija ja vahetatava aku ühenduskontaktid puhtad.

Optimaalse patareid elua tagamiseks, pärast kasutamist lae patareiplokk täielikult.

Akud tuleks võimalikult pika kasutusea saavutamiseks pärast täislaadimist laadijast välja võtta. Aku ladustamisel üle 30 päeva:

Ladustage akut kuivas kohas +27°C juures. Ladustage akut u 30-50% laetuseisundis. Laadige aku iga 6 kuu tagant täis.

Ärge visake tarvitatud vahetatavaid akusid tulle ega olmeprügisse. Milwaukee pakub vanade akude keskkonnahoidlikku käitlust; palun küsige oma erialaselt tarnijat.

Ärge säilitage vahetatavaid akusid koos metallesemetega (lühiseohut).

Laadige süsteemi M18 vahetatavaid akusid ainult süsteemi M18 laadijatega. Ärge laadige nendega teiste süsteemide akusid.

Ärge avage vahetatavaid akusid ega laadijaid ning ladustage neid ainult kuivades ruumides. Kaitske niiskuse eest.

**TÄHELEPANU!** Lühisest põhjustatud tuleohtu, vigastuste või toote kahjustuste vältimiseks ärge kaske tööriista, vahetusakut ega laadimisseadet vedelikku ning jälgige, et vedelikke ei tungiks seadmetesse ega akusse. Korrodeeruvad või elektrit juhtivad vedelikud, nagu soolvesi, teatud kemikaalid ja pleegitusained või pleegitusaineid sisaldavad tooted, võivad põhjustada lühist.

Äärmuslik koormusel või äärmuslikul temperatuuril võib kahjustatud vahetatavast akust akudevadik välja voolata. Akudevadikuga kokkupuutumise korral peske kohe vee ja seebiga. Silma sattumise korral loputage kiiresti põhjalikult vähemalt 10 minutit ning pöörduge viivitamatult arsti poole.

Laadijal olevasse vahetatava aku ühenduskambriisse ei tohi sattuda metallis (lühiseohut).

## AKU KOORMUSKAITSE

Kui akumulaatorid on ülekoormatud liiga suure energiakulu tõttu, näiteks, liiga suurte pöörete korral, kinnikiilunud seadme, äkilise seiskumise või lühühenduse korral instrument seiskub 2 sekundiks ja lülitub ise välja. Lähestamiseks eemaldage akupakk tööriistalt ja asendage see.

Ülisuurel koormusel võib aku kuumeneda kõrgete temperatuurideni. Sellisel juhul vigulvad kõik laadimistulukesed kuni aku jahutamiseni. Peale laadimistulukeste kustumist võite tööd jätkata. Aku tuleb laadimiseks ja taasaktiveerimiseks sisestada laadimisseadmesse.

## LIITIUMIOONAKUDE TRANSPORTIMINE

Liitiumioonakud on allutatud ohtlike ainete transportimisega seonduvatele õigusaktidele.

Nende akude transportimine peab toimuma kohalikest, siseriiklikest ja rahvusvahelistest eeskirjadest ning määrustest kinni pidades.

Tarbijad tohivad neid akusid edasiste piiranguteta tänaval transportida.

Liitiumioonakude komertstransport ekspedeerimisettevõtete kaudu on allutatud ohtlike ainete transportimisega seonduvatele õigusaktidele. Tarne-ettevalmistusi ja transporti tohivad teostada eranditult vastavalt koolitatud isikud. Kogu protsessi tuleb asjatundlikult jälgida.

Akude transportimisel tuleb järgida järgmisi punkte:

Tehke kindlaks, et kontaktid on lühiste vältimiseks kaitstud ja isoleeritud.

Pöörake tähelepanu sellele, et akupakk ei saaks pakendis nihkuda.

Kahjustatud või välja voolanud akusid ei tohi kasutada.

Pöörduge edasiste juhiste saamiseks ekspedeerimisettevõtte poole.

## KASUTAMINE VASTAVALT OTSTARBELE

Puurvarasat saab universaalselt rakendada kivimite ja betooni puurvarasraga töötlemiseks ja meiseldamiseks.

## HOOLDUS

Enne kõiki töid masina kallal võtke vahetatav aku välja.

Hoidke masina õhususpilud alati puhtad.



Kasutage ainult Milwaukee tarvikuid ja Milwaukee tagavaraosi. Detailid, mille väljavahetamist pole kirjeldatud, laske välja vahetada Milwaukee klienditeeninduspunktis (vaadake brošüüri garantii / klienditeeninduste aadressid).

Vajaduse korral võite tellida seadme läbilõikejoonise, näidates ära masina tüübi ja andmesildil oleva numbrü. Selleks pöörduge klienditeeninduspunkti või otsse: Techtronic Industries GmbH, Max-Eyth-Straße 10, 71364 Winnenden, Germany.

#### EÜ VASTAVUSAVALDUS

Kinnitame oma ainuvastutuse, et „Tehniliste andmete“ all kirjeldatud toode vastab direktiivide kõigile asjakohastele sätetele

2011/65/EU (RoHS)

2006/42/EÜ

2014/53/EU

ning täidetud on järgmiste ühtlustatud standardite nõuded.

EN 60745-1:2009 + A11:2010

EN 60745-2-6:2010

EN 55014-1:2017+A11:2020

EN 55014-2:2015

EN IEC 63000:2018

EN 301 489-1 V2.2.3

EN 301 489-17 V3.1.1

EN 300 328 V2.2.2

EN 62479:2010



Winnenden, 2020-11-30

Alexander Krug / Managing Director

On volitatud koostama tehnilist dokumentatsiooni.

Techtronic Industries GmbH

Max-Eyth-Straße 10, 71364 Winnenden, Germany

#### SÜMBOLID



ETTEVAATUST! TÄHELEPANU! OHUD!



Enne kõiki töid masina kallal võtke vahetatav aku välja.



Palun lugege enne käikulaskmist kasutamisujuhend hoolikalt läbi.



Tarvikud - ei kuulu tarne komplekti, soovitatav täiendus on saadaval tarvikute programmis.



Vibratsioonivastane süsteem



Ärge kasutage jõudu.



Masinaga töötades kandke alati kaitseprille.



Kandke kaitseks kõrvaklappe.



See seade sisaldab nõõppatareid (liitiumpatarei).



Elektriseadmeid, patareid/akusid ei tohi utiliseerida koos majapidamisprügiga. Elektriseadmed ja akud tuleb eraldi kokku koguda ning kõrvaldada keskkonnasõbralikul moel töötlemiskeskusesse. Küsige infot jäätmekäitlusjaamade ja kogumispunktide kohta oma kohalike ametnike või edasimüüja käest.

n<sub>0</sub>

Pöörlemiskiirus tühijooksul

V

Voltaaž



Alalisvool



Euroopa vastavusmärk



Ühendkuningriigi vastavusmärk



Ukraina vastavusmärk

001



Euraasia vastavusmärk



ТЕХНИЧЕСКИЕ ДАННЫЕ	M18 FHM
<b>Акк. перфоратор</b>	
Серийный номер изделия	4696 96 02... ... 000001-999999
диапазон частот	2402-2480 MHz
мощность радиоионлучения	1,8 dBm
Вольтаж аккумулятора	18 V
Число оборотов без нагрузки	380 min <sup>-1</sup>
Количество ударов при нагрузке макс.	2900 min <sup>-1</sup>
Сила одиночного удара в соответствии с EPTA Procedure 05/2009	11 J
Диаметр шейки патрона	66 mm
Максимальный диаметр сверления в бетоне	45 mm (SDS-max)
Туннельные буры по бетону, кирпичу и известняку	65 mm (SDS-max)
Коронки для работы по бетону, кирпичу и известняку	150 mm (SDS-max)
Вес согласно процедуре EPTA 01/2014 (Li-Ion 5,0 Ah ... 12,0 Ah)	9,7 ... 10,4 kg
Температура окружающей среды, рекомендованная для эксплуатации	-18 °C ... +50 °C
Рекомендованные аккумуляторные блоки	M18B5 – M18HB12
Рекомендованные зарядные устройства	M12-18...
<b>Информация по шумам</b>	
Значения замерялись в соответствии со стандартом EN 60745. Уровень шума прибора, определенный по показателю A, обычно составляет:	
Уровень звукового давления (Небезопасность K=3dB(A))	96,5 dB (A)
Уровень звуковой мощности (Небезопасность K=3dB(A))	107,5 dB (A)
<b>Пользуйтесь приспособлениями для защиты слуха.</b>	
<b>Информация по вибрации</b>	
Общие значения вибрации (векторная сумма трех направлений) определены в соответствии с EN 60745.	
Сверление Бетон	
Значение вибрационной эмиссии a <sub>h,HD</sub>	9,4 m/s <sup>2</sup>
Небезопасность K=	1,5 m/s <sup>2</sup>
Вырубка:	
Значение вибрационной эмиссии a <sub>h,Cheq</sub>	9,4 m/s <sup>2</sup>
Небезопасность K=	1,5 m/s <sup>2</sup>



РУС

#### ВНИМАНИЕ!

Указанный в настоящем руководстве уровень вибрации измерен в соответствии с технологией измерения, установленной стандартом EN 60745 и может использоваться для сравнения электроинструментов друг с другом. Он также подходит для предварительной оценки вибрационной нагрузки.

Указанный уровень вибрации представляет основные виды использования электроинструмента. Но если электроинструмент используется для других целей, используемый инструмент отклоняется от указанного или техническое обслуживание было недостаточным, то уровень вибрации может отклоняться от указанного. В этом случае вибрационная нагрузка в течение всего периода работы значительно увеличивается.

Для точной оценки вибрационной нагрузки необходимо также учитывать время, в течение которого прибор отключен или включен, но фактически не используется. В этом случае вибрационная нагрузка в течение всего периода работы может существенно уменьшиться.

Установите дополнительные меры безопасности для защиты пользователя от воздействия вибрации, например: техническое обслуживание электроинструмента и используемого инструмента, поддержание рук в теплом состоянии, организация рабочих процессов.

**⚠ ВНИМАНИЕ! Ознакомьтесь со всеми указаниями по безопасности и инструкциями.** Упущения, допущенные при не соблюдении указаний и инструкций по технике безопасности, могут стать причиной электрического поражения, пожара и тяжелых травм.

**Сохраняйте эти инструкции и указания для будущего использования.**

#### ⚠ УКАЗАНИЯ ПО БЕЗОПАСНОСТИ ДЛЯ ПЕРФОРАТОРА

**Используйте наушники!** Воздействие шума может привести к потере слуха.

**Используйте вспомогательные рукоятки, поставляемые вместе с инструментом.** Потеря контроля может стать причиной травмы.

**Если Вы выполняете работы, при которых режущий инструмент может зацепить скрытую электропроводку кабель, инструмент следует держать за специально предназначенные для этого изолированные поверхности.** Контакт режущего инструмента с токоведущим проводом может поставить под напряжение металлические части прибора, а также привести к удару электрическим током.

#### Дополнительные указания по безопасности и работе

Пользоваться средствами защиты. Работать с инструментом всегда в защитных очках. Рекомендуется спецодежда: пылезаститная маска, защитные перчатки, прочная и нескользящая обувь, каска и наушники.

Русский

Пыль, образующаяся при работе с данным инструментом, может быть вредна для здоровья и попасть на тело. Пользуйтесь системой пылеудаления и надевайте подходящую защитную маску. Тщательно убирайте скапливающуюся пыль (напр. пылесосом).

Запрещается обрабатывать материалы, которые могут нанести вред здоровью (напр., асбест).

При работе в стенах, потолках или полу следите за тем, чтобы не повредить электрические кабели или водопроводные трубы.

При блокировании используемого инструмента немедленно выключить прибор! Не включайте прибор до тех пор, пока используемый инструмент заблокирован, в противном случае может возникнуть отдача с высоким реактивным моментом. Определите и устраните причину блокирования используемого инструмента с учетом указаний по безопасности.

Возможными причинами остановки могут быть:

- перекокс заготовки, подлежащей обработке
- разрушение материала, подлежащего обработке;
- перегрузка электроинструмента

Не прикасаться к работающему станку.

Используемый инструмент может нагреваться во время применения.

**ВНИМАНИЕ!** Опасность получения ожога

- при смене оснастки
- при укладывании прибора

Не убирайте опилки и обломки при включенном инструменте.

Зафиксируйте вашу заготовку с помощью зажимного приспособления. Незафиксированные заготовки могут привести к тяжелым травмам и повреждениям.

Выньте аккумулятор из машины перед проведением с ней каких-либо манипуляций.

#### **ВНИМАНИЕ**



Устройство использует кнопочный/плоский круглый литиевый аккумулятор. Новый или использованный аккумулятор может вызвать сильные внутренние ожоги и привести к смерти в течение 2 часов в случае проглатывания или попадания в организм. Всегда закрепляйте крышку аккумуляторного отсека. Если она не закрывается надежно, остановите устройство, извлеките аккумулятор и храните его в недоступном для детей месте. Если вы считаете, что человек проглотил аккумулятор или что аккумулятор иным образом попал в организм, обратитесь за экстренной медицинской помощью.

#### **ЭКСПЛУАТАЦИЯ**

##### **Холодный запуск**

Если этот инструмент хранится в течение длительного времени или при низких температурах, сначала он может плохо работать из-за затвердевания смазки.

Для прогревания инструмента

1. Вставьте в инструмент сверло или долото и зафиксируйте его.
2. Нажмите кнопку запуска и уприте долото или сверло в бетонную или деревянную поверхность на несколько секунд. Отпустите кнопку запуска.
3. Повторяйте до тех пор, пока инструмент не начнет совершать ударные движения. Чем холоднее инструмент, тем дольше он будет прогреваться.

#### **ONE-KEY™**

Для получения более подробной информации о функциях ONE-KEY данного инструмента прочтите прилагаемое краткое руководство или посетите наш сайт в Интернете по адресу <http://www.milwaukeeool.com/one-key>

[www.milwaukeeool.com/one-key](http://www.milwaukeeool.com/one-key)

Вы можете загрузить приложение ONE-KEY на свой смартфон через App Store или Google Play. Результат испытания соответствует нашим минимальным требованиям согласно EN 301489-1 / EN 301489-17. Мы предоставим заказчику инструкции по эксплуатации в руководстве пользователя.

#### **АККУМУЛЯТОР**

Перед использованием аккумулятора, которым не пользовались некоторое время, его необходимо зарядить.

Температура выше 50°C снижает работоспособность аккумулятора. Избегайте продолжительного нагрева или прямого солнечного света (риск перегрева).

Контакты зарядного устройства и аккумуляторов должны содержаться в чистоте.

Для обеспечения оптимального срока службы аккумулятор необходимо полностью заряжать после использования прибора.

Для достижения максимально возможного срока службы аккумуляторы после зарядки следует вынимать из зарядного устройства. При хранении аккумулятора более 30 дней: Храните аккумулятор при 27°C в сухом месте. Храните аккумулятор с зарядом примерно 30% - 50%. Каждые 6 месяцев аккумулятор следует заряжать.

Не выбрасывайте использованные аккумуляторы вместе с домашним мусором и не сжигайте их. Дистрибьюторы компании Milwaukee предлагают восстановление старых аккумуляторов, чтобы защитить окружающую среду.

Не храните аккумуляторы вместе с металлическими предметами во избежание короткого замыкания.

Для зарядки аккумуляторов модели M18 используйте только зарядные устройства M18. Не заряжайте аккумуляторы других систем.

Никогда не вскрывайте аккумуляторы или зарядные устройства и храните их только в сухих помещениях. Следите, чтобы они всегда были сухими.

**ВНИМАНИЕ!** Для предотвращения опасности пожара в результате короткого замыкания, травм и повреждения изделия не опускайте инструмент, сменный аккумулятор или зарядное устройство в жидкости и не допускайте попадания жидкостей внутрь устройств или аккумуляторов. Коррозионные и проводящие жидкости, такие как соленый раствор, определенные химикаты, отбеливающие средства или содержащие их продукты, могут привести к короткому замыканию.

Аккумуляторная батарея может быть повреждена и дать течь под воздействием чрезмерных температур или повышенной нагрузки. В случае контакта с аккумуляторной кислотой немедленно промойте место контакта мылом и водой. В случае попадания кислоты в глаза промойте глаза в течении 10 минут и немедленно обратитесь за медицинской помощью.

Не допускаются попадания каких-либо металлических предметов в аккумуляторный отсек зарядного устройства во избежание короткого замыкания.

#### **ЗАЩИТА АККУМУЛЯТОРА ОТ ПЕРЕГРУЗКИ**

При перегрузке аккумулятора слишком сильным током, например, вследствие слишком большого крутящего усилия, заклинивания электроинструмента, внезапной остановки или короткого замыкания электроинструмент останавливается в течение 2 секунд и отключается самостоятельно. Для сброса просто извлеките аккумуляторную батарею из инструмента и установите ее обратно.

При слишком высоких нагрузках аккумулятор перегревается. В этом случае загораются все лампы индикатора заряда



**РУС**

аккумулятора. Когда аккумулятор остынет и лампы погаснут – можно продолжать. Чтобы снова зарядить и активировать аккумулятор, подключите его к зарядному устройству.

EN 301 489-17 V3.1.1  
EN 300 328 V2.2.2  
EN 62479:2010

## ТРАНСПОРТИРОВКА ЛИТИЙ-ИОННЫХ АККУМУЛЯТОРОВ

Литий-ионные аккумуляторы в соответствии с предписаниями закона транспортируются как опасные грузы.

Транспортировка этих аккумуляторов должна осуществляться с соблюдением местных, национальных и международных предписаний и положений.

Эти аккумуляторы могут перевозиться по улице потребителем без дальнейших обязательств.

При коммерческой транспортировке литий-ионных аккумуляторов экспедиторскими компаниями действуют положения, касающиеся транспортировки опасных грузов. Подготовка к отправке и транспортировка должны производиться исключительно специально обученными лицами. Весь процесс должен находиться под контролем специалиста.

При транспортировке аккумуляторов необходимо соблюдать следующие пункты:

Убедитесь, что контакты защищены и изолированы во избежание короткого замыкания.

Следите за тем, чтобы аккумуляторный блок не соскользнул внутри упаковки.

Транспортировка поврежденных или протекающих аккумуляторов запрещена.

За дополнительными указаниями обратитесь к своему экспедитору.

## ИСПОЛЬЗОВАНИЕ

Данный перфоратор может одинаково использоваться для ударного сверления и долбления в камне и бетоне.

## ОБСЛУЖИВАНИЕ

Выньте аккумулятор из машины перед проведением с ней каких-либо манипуляций.

Всегда держите охлаждающие отверстия чистыми.

Пользуйтесь аксессуарами и запасными частями Milwaukee. В случае возникновения необходимости в замене, которая не была описана, обращайтесь в один из сервисных центров по обслуживанию электроинструментов Milwaukee (см. список сервисных организаций).

При необходимости может быть заказан чертеж инструмента с трехмерным изображением деталей. Пожалуйста, укажите номер и тип инструмента и закажите чертеж у Ваших местных агентов или непосредственно у Techtronic Industries GmbH, Max-Eyth-Strasse 10, 71364 Winnenden, Germany.

## ДЕКЛАРАЦИЯ О СООТВЕТСТВИИ СТАНДАРТАМ ЕС

Мы несем исключительную ответственность за то, что изделие, описанное в разделе «Техническая информация» соответствует всем применимым положениям директив

2011/65/EU (RoHS)

2006/42/EC

2014/53/EU

а также следующим согласованным стандартам

EN 60745-1:2009 + A11:2010

EN 60745-2-6:2010

EN 55014-1:2017+A11:2020

EN 55014-2:2015

EN IEC 63000:2018

EN 301 489-1 V2.2.3



Winnenden, 2020-11-30

Alexander Krug / Managing Director

Уполномочен на составление технической документации.

Techtronic Industries GmbH

Max-Eyth-Strasse 10, 71364 Winnenden, Germany

## СИМВОЛЫ



**ВНИМАНИЕ! ПРЕДУПРЕЖДЕНИЕ! ОПАСНОСТЬ!**



Выньте аккумулятор из машины перед проведением с ней каких-либо манипуляций.



Пожалуйста, внимательно прочтите инструкцию по использованию перед началом любых операций с инструментом.



Принадлежности – В стандартную комплектацию не входит, поставляется в качестве дополнительной принадлежности.



Система ЗАЩИТЫ от вибрации



Не применяйте силу



При работе с инструментом всегда надевайте защитные очки.



Используйте наушники!



Устройство использует кнопочный/плоский круглый литиевый аккумулятор.



Электроприборы, батареи/аккумуляторы запрещено утилизировать вместе с бытовым мусором.



Электрические приборы и аккумуляторы следует собирать отдельно и сдавать в специализированную компанию для утилизации в соответствии с нормами охраны окружающей среды. Получите в местных органах власти или у вашего специализированного дилера сведения о центрах вторичной переработки и пунктах сбора.



Число оборотов без нагрузки



Напряжение



Постоянный ток



Европейский знак соответствия



Британский знак соответствия



Украинский знак соответствия



Евразийский знак соответствия



Русский

ТЕХНИЧЕСКИ ДАННИ	M18 FHM
<b>Акумулаторен пефоратор</b>	
Производствен номер	4696 96 02... ... 000001-999999
Радиочестотна лента	2402-2480 MHz
Радиочестотна мощност	1,8 dBm
Напрежение на акумулатора	18 V
Обороти на празен ход	380 min <sup>-1</sup>
Макс. брой на ударите при натоварване макс.	2900 min <sup>-1</sup>
Енергия на единичен удар съгласно EPTA-Procedure 05/2009	11 J
Диаметър на отвора на патронника	66 mm
Диаметър на свредлото за бетон	45 mm (SDS-max)
Пробивна машина за работа в тунел – за бетон, обикновени и силикатни тухли	65 mm (SDS-max)
Куха боркорона за бетон, обикновени и силикатни тухли	150 mm (SDS-max)
Тегло съгласно процедурата EPTA 01/2014 (Li-Ion 5,0 Ah ... 12,0 Ah))	9,7 ... 10,4 kg
Препоръчителна температура на околната среда при експлоатация	-18 °C ... +50 °C
Препоръчителни акумулаторни батерии	M18B5 – M18HB12
Препоръчителни зарядни устройства	M12-18...
<b>Информация за шума</b>	
Измерените стойности са получени съобразно EN 60745. Оцененото с A ниво на шума на уреда е съответно:	
Равнище на звуковото налягане (Несигурност K=3dB(A))	96,5 dB (A)
Равнище на мощността на звука (Несигурност K=3dB(A))	107,5 dB (A)
<b>Да се носи предпазно средство за слуха!</b>	
<b>Информация за вибрациите</b>	
Общите стойности на вибрациите (векторна сума на три посоки) са определени в съответствие с EN 60745.	
Пробиване бетон	
Стойност на емисии на вибрациите a <sub>h,hd</sub>	9,4 m/s <sup>2</sup>
Несигурност K=	1,5 m/s <sup>2</sup>
Дълбаене:	
Стойност на емисии на вибрациите a <sub>h,cheq</sub>	9,4 m/s <sup>2</sup>
Несигурност K=	1,5 m/s <sup>2</sup>



**БЪЛ**

### ВНИМАНИЕ!

Посоченото в тези инструкции ниво на вибрациите е измерено в съответствие със стандартизиран в EN 60745 измервателен метод и може да се използва за сравнение на електрически инструменти помежду им. Подходящ е и за временна оценка на вибрационното натоварване.

Посоченото ниво на вибрациите представя основните приложения на електрическия инструмент. Ако обаче електрическият инструмент се използва с друго предназначение, с различни сменяеми инструменти или при недостатъчна техническа поддръжка, нивото на вибрациите може да е различно. Това чувствително може да увеличи вибрационното натоварване по време на целия работен цикъл.

За точната оценка на вибрационното натоварване трябва да се вземат предвид и периодите от време, в които уредът е изключен или работи, но в действителност не се използва. Това чувствително може да намали вибрационното натоварване по време на целия работен цикъл.

Определете допълнителни мерки по техника на безопасност в защита на обслужвания работник от въздействието на вибрациите като например: техническа поддръжка на електрическия инструмент и сменяемите инструменти, поддръжане на ръцете топли, организация на работния цикъл.

### **ВНИМАНИЕ! Прочетете указанията за безопасност и съветите.**

Пропуски при спазването на указанията и на инструкциите за безопасност могат да доведат до токов удар, пожар и/или тежки наранявания.

**Запазете всички указания и инструкции за безопасност за бъдещето.**

### **ИНСТРУКЦИИ ЗА БЕЗОПАСНОСТ ПЕРФОРАТОР**

**Носете средство за защита на слуха.** Шумът може да доведе до загуба на слуха.

**Използвайте доставените с уреда допълнителни ръкохватки.** Загубата на контрол може да доведе до наранявания.

**Дръжте уреда за изолираните ръкохватки, когато извършвате работи, при които режещият инструмент може да засегне скрити електроинсталационни кабели.** Контактът на режещия инструмент с тоководещ проводник може да предаде напрежението върху метални части на уреда и да доведе до токов удар.

### **Допълнителни указания за работа и безопасност**

Да се използват предпазни средства. При работа с машината винаги носете предпазни очила. Препоръчват се защитно облекло и прахозащитна маска, защитни ръкавици, здрави и нехлъзгащи се обувки, каска и предпазни средства за слуха.

При работа на открито или когато в машината могат да попаднат

влага или прах, се препоръчва уредът да се свързва чрез защитен прекъсвач за утечен ток с максимално 30 mA ток на задействане. Не е разрешена обработката на материали, които представляват опасност за здравето (напр. азбест).

При работа в стени, тавани или подове внимавайте за кабели, газопроводи и водопроводи.

Ако използваният инструмент блокира, изключете веднага уреда! Не включвайте уреда отново, докато използваният инструмент е блокиран; това би могло да доведе до откат с висока реактивна сила. Открийте и отстранете причината за блокирането на използвания инструмент имайки в предвид инструкциите за безопасност.

Възможна причина за това може да бъде:

- Заклинване в обработваната част
- Пречупване на обработвания материал
- Пренатоварване на електрически инструмент

Не бъркайте в машината, докато тя работи.

Използваният инструмент може да загрее по време на употреба.

**ВНИМАНИЕ!** Опасност от изгаряния

- при смяна на инструмента
- при оставяне на уреда

Стружки или отчупени парчета да не се отстраняват, докато машина работи.

Закрепете обработваната част с устройство за захващане.

Незакрепени части за обработка могат да причинят сериозни наранявания и материални щети.

Преди започване на каквито е да работи по машината извадете акумулатора.

#### **ВНИМАНИЕ**



Това устройство се захранва с клетъчна литиева батерия от тип копче. Както новите, така и използваните батерии могат да причинят тежки вътрешни изгаряния и доведат до смърт за не повече от 2 часа след поглъщане или попадане в тялото. Винаги проверявайте дали капачето на батерията е добре затворено. Ако не се затваря добре, спрете устройството, извадете батерията и я дръжте далече от деца. Ако мислите, че някой може да е погълнал батерията или че тя е попаднала в тялото по друг начин, потърсете незабавна медицинска помощ.

#### **ОПЕРАЦИЯ**

##### **Студено стартиране**

Ако инструментът не е бил ползван продължително време или е бил съхраняван на студено, е възможно първоначално да не успее да извърши забаване поради втвърдяване на смазката.

За да загреете инструмента

1. Поставете бургия или секач в инструмента и го заключете на позиция.
2. Дръпнете пусковия ключ и притиснете бургията/секача към бетонна или дървена повърхност в продължение на няколко секунди. Освободете пусковия ключ.
3. Повтаряйте, докато инструментът започне да забива. Колкото по-студен е инструментът, толкова повече време ще му е нужно, за да загрее.

#### **ONE-KEY™**

За да научите повече за ONE KEY функционалността на този инструмент, прочетете приложеното ръководство за бърз старт или ни посетете в интернет на <http://www.milwaukeeetool.com/one-key>

Можете да изтеглите ONE KEY приложението на Вашия смартфон от App Store или Google Play. Резултатът от изпитванията отговаря

на нашите минимални изисквания съгласно EN 301489-1 / EN 301489-17. На клиента ще бъдат предоставени указания за експлоатация в ръководството за употреба.

#### **АКУМУЛАТОРИ**

Акумулатори, които не са ползвани по-дълго време, преди употреба да се дозаредят.

Температура над 50°C намалява мощността на акумулатора. Да се избягва по-продължително нагряване на слънце или от отопление.

Поддържайте чисти присъединителните контакти на зарядното устройство и на акумулатора.

За оптимална продължителност на живот след употреба батериите трябва да се заредят напълно.

За възможно по-дълга продължителност на живот батериите трябва да се изваждат от уреда след зареждане. При съхранение на батериите за повече от 30 дни: съхранявайте батерията при прилб. 27°C и на сухо място. Съхранявайте батерията при 30 до 50 % от заряд. Зареждайте батерията на всеки 6 месеца.

Не изхвърляйте изхабените акумулатори в огъня или в битовите отпадъци. Milwaukee предлага екологосъобразно събиране на старите акумулатори; моля попитайте Вашия специализиран търговец.

Не съхранявайте акумулаторите заедно с метални предмети (опасност от късо съединение).

Акумулатори от системата M18 да се заредят само със зарядни устройства от системата M18 laden. Да не се заредят акумулатори от други системи.

Не отваряйте акумулатори и зарядни устройства и ги съхранявайте само в сухи помещения. Пазете ги от влага.

**ВНИМАНИЕ!** За да избегнете опасността от пожар, предизвикана от късо съединение, както и нараняванията и повредите на продукта, не потапяйте инструмента, сменяемата акумулаторна батерия или зарядното устройство в течности и се грижете в уредите и акумулаторните батерии да не попадат течности. Течностите, предизвикващи корозия или провеждащи електричество, като солена вода, определени химикали, изелбващи вещества или продукти, съдържащи изелбващи вещества, могат да предизвикат късо съединение.

При екстремно натоварване или екстремна температура от повредени акумулатори може да изтече батерийна течност. При допир с такава течност веднага измийте с вода и сапун. При контакт сочете веднага изплаквайте старателно най-малко 10 минути и незабавно потърсете лекар.

В гнездото за акумулатори на зарядните устройства не бива да попадат метални части (опасност от късо съединение).

#### **ЗАЩИТА ОТ ПРЕТОВАРВАНЕ НА БАТЕРИЯТА**

Електроинструментът спира за 2 секунди и се изключва автоматично при претоварване на батерията чрез много висока консумация на енергия, причинена например от изключително висок въртящ момент, заклиняване на работния инструмент, внезапно спиране или късо съединение. За да нулирате защитата, извадете батерията от инструмента и после я поставете обратно.

При екстремни натоварвания батерията се нагрява значително. В този случай всички светлини на индикатора за зареждане мигат дотогава, докато батерията се охлади. След изгасване на индикатора за зареждане можете да продължите работата с уреда. Тогава акумулаторът да се включи към зарядното устройство, за да се дозареди и активира.

## ПРЕВОЗ НА ЛИТИЕВО-ЙОННИ БАТЕРИИ

Литиево-йонните батерии са предмет на законовите разпоредби за превоз на опасни товари.

Превозът на тези батерии трябва да се извършва в съответствие с местните, националните и международните разпоредби и регламенти.

Потребителите могат да превозват тези батерии по пътя без допълнителни изисквания.

Превозът на литиево-йонни батерии от транспортни компании е предмет на законовите разпоредбите за превоз на опасни товари. Подготовката на превоза и самият превоз трябва да се извършват само от обучени лица. Целият процес трябва да е под професионален надзор.

Спазвайте следните изисквания при превоз на батерии:

Уверете се, че контактите са защитени и изолирани, за да се избегне късо съединение.

Уверете се, че няма опасност от разместване на батерията в опаковката.

Не превозвайте повредени батерии или такива с течове.

Обърнете се към Вашата транспортна компания за допълнителни инструкции.

## ИЗПОЛЗВАНЕ ПО ПРЕДНАЗНАЧЕНИЕ

Перфораторът може универсално да се използва за перфориране и дълбаене в камък и бетон.

## ПОДДРЪЖКА

Преди започване на каквито е да е работи по машината извадете акумулатора.

Вентилационните шлицы на машината да се поддържат винаги чисти.

Да се използват само аксесоари на Milwaukee и резервни части на Milwaukee. Елементи, чиято подмяна не е описана, да се дадат за подмяна в сервиз на Milwaukee (вижте брошурата „Гаранция и адреси на сервизи“).

При необходимост можете да поискате за уреда от Вашия сервиз или директно от Techtronic Industries GmbH, Max-Eyth-Straße 10, 71364 Winnenden, Germany, чертеж за в случай на експлозия, като посочите типа на машината и номер върху заводската табелка.

## СЕ - ДЕКЛАРАЦИЯ ЗА СЪОТВЕТВИЕ

Ние декларираме, изцяло на наша отговорност, че продуктът, описан в „Технически данни“, съответства на всички необходими изисквания на директивите

2011/65/EC (RoHS)

2006/42/EO

2014/53/EC

и че са използвани следните хармонизирани стандарти

EN 60745-1:2009 + A11:2010

EN 60745-2-6:2010

EN 55014-1:2017+A11:2020

EN 55014-2:2015

EN IEC 63000:2018

EN 301 489-1 V2.2.3

EN 301 489-17 V3.1.1

EN 300 328 V2.2.2

EN 62479:2010



Winnenden, 2020-11-30

Alexander Krug / Managing Director

Упълномощен за съставяне на техническата документация

Techtronic Industries GmbH

Max-Eyth-Straße 10, 71364 Winnenden, Germany

## СИМВОЛИ



ВНИМАНИЕ! ПРЕДУПРЕЖДЕНИЕ! ОПАСНОСТ



Преди започване на каквито е да е работи по машината извадете акумулатора.



Преди пускане на уреда в действие моля прочетете внимателно инструкцията за използване.



Аксесоари - Не се съдържат в обема на доставката, препоръчано допълнение от програмата за аксесоари.



Противовибрационна система



Не използвайте сила.



При работа с машината винаги носете предпазни очила.



Носете средство за защита на слуха.



Това устройство се захранва с клетъчна литиева батерия от тип копче.



Електрическите уреди, батерии/акумулаторни батерии не трябва да се изхвърлят заедно с битовите отпадъци. Електрическите уреди и акумулаторни батерии трябва да се събират раздельно и да се предават на службите за рециклиране на отпадъците според изискванията за опазване на околната среда. Информирайте се при местните служби или при местните специализирани търговци относно местата за събиране и центровете за рециклиране на отпадъци.

n<sub>o</sub>

Обороти на празен ход

V

Напрежение

— — —

Постоянен ток



Европейски знак за съответствие



Британски знак за съответствие



Украински знак за съответствие

001



Евро-азиатски знак за съответствие



български

DATE TEHNICE	M18 FHM
<b>Ciocan rotopercutor cu acumulator</b>	
Număr producție	4696 96 02... ... 000001-999999
Banda de frecvențe	2402-2480 MHz
Puterea de radiofrecvență	1,8 dBm
Tensiune acumulator	18 V
Viteza de mers în gol	380 min <sup>-1</sup>
Rata de percuție sub sarcină max.	2900 min <sup>-1</sup>
Energia de percuție conform EPTA-Procedure 05/2009	11 J
Diametru gât mandrină	66 mm
Capacitate de perforare în beton	45 mm (SDS-max)
Vârf tunel din beton, cărămizi și calcar	65 mm (SDS-max)
Tăiere în beton, cărămizi și calcar	150 mm (SDS-max)
Greutatea conform „EPTA procedure 01/2014” (Li-Ion 5,0 Ah ... 12,0 Ah)	9,7 ... 10,4 kg
Temperatură ambientală recomandată pentru funcționare	-18 °C ... +50 °C
Seturi de baterii recomandate	M18B5 – M18HB12
Încărcător de baterii recomandat	M12-18...
<b>Informație privind zgomotul</b>	
Valori măsurate determinate conform EN 60745. Nivelul de zgomot evaluat cu A al aparatului este tipic de:	
Nivelul presiunii sonore (Nesiguranță K=3dB(A))	96,5 dB (A)
Nivelul sunetului (Nesiguranță K=3dB(A))	107,5 dB (A)
<b>Purtați căști de protecție</b>	
<b>Informații privind vibrațiile</b>	
Valorile totale de oscilație (suma vectorială pe trei direcții determinate conform normei EN 60745).	
Găurire în beton	
Valoarea emisiei de oscilații a <sub>h,HD</sub>	9,4 m/s <sup>2</sup>
Nesiguranță K=	1,5 m/s <sup>2</sup>
Dăltauire:	
Valoarea emisiei de oscilații a <sub>h,Cheq</sub>	9,4 m/s <sup>2</sup>
Nesiguranță K=	1,5 m/s <sup>2</sup>



## AVERTISMENT!

Gradul de oscilație indicat în prezentele instrucțiuni a fost măsurat în conformitate cu o procedură de măsurare normată prin norma EN 60745 și poate fi folosit pentru a compara unelte electrice între ele. El se pretează și pentru o evaluare provizorie a solicitării la oscilații.

Gradul de oscilație indicat reprezintă aplicațiile principale ale uneltelor electrice. În cazul în care însă uneltele electrice au fost folosite pentru alte aplicații, ori au fost folosite unelte de muncă diferite ori acestea nu au fost supuse unei suficiente inspecții de întreținere, gradul de oscilație poate fi diferit.

Acest fapt poate duce la o creștere netă a solicitărilor la oscilații dealungul întregii perioade de lucru. În scopul unei evaluări exacte a solicitării la oscilații, urmează să fie luate în considerație și perioadele de timp în care aparatul a fost oprit ori funcționează dar, în realitate, el nu este folosit în mod practic. Acest fapt poate duce la o reducere netă a solicitărilor la oscilații dealungul întregii perioade de lucru.

Stabiliți măsuri de siguranță suplimentare în scopul protecției utilizatorului de efectele oscilațiilor, de exemplu: inspecție de întreținere a uneltelor electrice și a celor de muncă, păstrarea caldă a mâinilor, organizarea proceselor de muncă.

**⚠️ AVERTISMENT! Citiți toate avizele de siguranță și indicațiile.** Nerespectarea indicațiilor de avertizare și a instrucțiunilor poate provoca electrocutare, incendii și/sau răni grave.  
**Păstrați toate indicațiile de avertizare și instrucțiunile în vederea utilizărilor viitoare.**

## ⚠️ INSTRUCIUNI DE SIGURANȚA PENTRU CIOCAN RÔTOPERCUTOR

**Purtați aparatoare de urechi.** Expunerea la zgomot poate duce la pierderea auzului.

**Utilizați manerale auxiliare livrate cu scula.** Pierderea controlului poate provoca rănirea persoanelor.

**Țineți aparatul de mânerale izolate când executați lucrări la care scula tăietoare poate nimeri peste conductori electrici ascunși.** Intrarea în contact a sculei tăietoare cu o linie electrică prin care circulă curent poate pune sub tensiune și componente metalice ale aparatului și să ducă la electrocutare.

## Instrucțiuni suplimentare de siguranță și de lucru

Folosiți echipament de protecție. Purtați întotdeauna ochelari de protecție când lucrați cu mașina. Se recomandă utilizarea hainelor de protecție ca de ex. Măști contra prafului, mănuși de protecție, încălțăminte stabilă nealunecoasă, cască și aparatoare de urechi.



Praful care apare când se lucrează cu această sculă poate fi dăunător sănătății și prin urmare nu trebuie să atingă corpul. Utilizați un sistem de absorbție a prafului și purtați o mască de protecție împotriva prafului. Îndepărtați cu grijă praful depozitat, de ex. cu un aspirator.

Nu se admite prelucrarea unui material care poate pune în pericol sănătatea operatorului (de exemplu azbestul).

Când se lucrează pe pereți, tavan sau dușumea, aveți grijă să evitați cablurile electrice și țevile de gaz sau de apa.

La blocarea sculei demontabile vă rugăm să deconectați imediat aparatul! Nu conectați aparatul atâta timp cât scula demontabilă este blocată; dacă o faceți, s-ar putea să se producă un recul cu un cuplu mare de reacție. Găsiți și remediati cauza de blocare a sculei demontabile respectând indicațiile pentru siguranță.

Cauze posibile pentru aceasta pot fi:

- Agățarea în piesa de prelucrat
- Penetrarea completă în materialul de prelucrat
- Suprasolicitarea sculei electrice

Nu atingeți părțile mașinii aflate în rotație.

Scula introdusă poate să devină fierbinte în timpul utilizării.

**AVERTISMENT!** Pericol de arsuri

- la schimbarea sculei
- la depunerea aparatului

Rumeșul și spanul nu trebuie îndepărtate în timpul funcționării mașinii.

Asigurați piesa de prelucrat cu un dispozitiv de fixare. Piese neasigurate pot provoca accidentări grave și stricăciuni.

Îndepărtați acumulatorul înainte de începerea lucrului pe mașina

#### AVERTISMENT



Această sculă conține o baterie rotundă specializată tip litiu. O baterie nouă sau folosită poate cauza arsuri interne severe și poate provoca chiar decesul chiar și în 2 ore dacă este înghițită sau dacă intră în corp. Asigurați mereu capacul de pe compartimentul cu baterii. Dacă nu se închide în mod sigur, opriți dispozitivul, îndepărtați bateria și nu o lăsați la îndemâna copiilor. Dacă suspectați că cineva a înghițit o baterie sau că aceasta a intrat în corp prin alte modalități, apelați de urgență la un medic.

#### OPERAREA

##### Pornire la rece

Dacă acest instrument este depozitat o perioadă lungă de timp sau la temperaturi reci, este posibil ca la început să nu lovească, deoarece lubrifierea a devenit rigidă.

Pentru a încălzi instrumentul

1. Introduceți și blocați un burghiu sau daltă în sculă.
2. Trageți declanșatorul și aplicați forța pe burghiu sau daltă pe o suprafață de beton sau lemn timp de câteva secunde. Eliberați declanșatorul.
3. Repetați până când scula începe să bată. Cu cât scula este mai rece, cu atât va dura mai mult timp încălzirea ei.

#### ONE-KEY™

Pentru a afla mai multe despre funcționalitatea ONE-KEY a acestei scule, vă rugăm să citiți Manualul atașat sau să ne vizitați site-ul pe <http://www.milwaukeetool.com/one-key>

Puteți descărca aplicația ONE-KEY de pe App Store sau Google Play pe Smartphone-ul dvs. Rezultatul verificării satisface cerințele noastre minime în conformitate cu EN 301489-1 / EN 301489-17. Vom transmite clientului ghidul operațional integrat în Manualul de utilizare.

#### ACUMULATORI

Acumulatorii care nu au fost utilizați o perioadă de timp trebuie reîncărcați înainte de utilizare

Temperatura mai mare de 50°C (122°F) reduce performanța acumulatorului. Evitați expunerea prelungită la căldură sau radiație solară (ris de supraîncălzire)

Contactele încărcătoarelor și acumulatorilor trebuie păstrate curate.

În scopul optimizării duratei de funcționare, bateriile trebuie reîncărcate complet după utilizare.

Pentru o durată de viață cât mai lungă, acumulatorii ar trebui scoși din încărcător după încărcare. La depozitarea acumulatorilor mai mult de 30 zile: Acumulatorii se depozitează la cca. 27°C și la loc uscat. Acumulatorii se depozitează la nivelul de încărcare de cca. 30%-50%. Acumulatorii se încarcă din nou la fiecare 6 luni.

Nu aruncați acumulatorii uzați la containerul de reziduri menajere și nu îi ardeți. Milwaukee Distributors se oferă să recupereze acumulatorii vechi pentru protecția mediului înconjurător.

Nu depozitați acumulatorul împreună cu obiecte metalice (ris de scurtcircuit)

Folosiți numai încărcătoare System M18 pentru încărcarea acumulatorilor System M18. Nu folosiți acumulatori din alte sisteme.

Nu deschideți niciodată acumulatorii și încărcătoarele și pastrați-le numai în încăperi uscate. Pastrați-le întotdeauna uscate.

**AVERTISMENT!** Pentru a reduce pericolul unui incendiu și evitarea rănilor sau deteriorarea produsului în urma unui scurtcircuit nu imersați scula, acumulatorul de schimb sau încărcătorul în lichide și asigurați-vă să nu pătrundă lichide în aparate și acumulatori. Lichidele corosive sau cu conductibilitate, precum apa sărată, anumite substanțe chimice și înalbitori sau produse ce conțin înalbitori, pot provoca un scurtcircuit.

Acidul se poate scurge din acumulatorii deteriorați la încărcături sau temperaturi extreme. În caz de contact cu acidul din acumulator, spălați imediat cu apă și săpun. În caz de contact cu ochii, clătiți cu atenție timp de cel puțin 10 minute și apelați imediat la îngrijire medicală.

Nu se permite introducerea nici unei piese metalice în locașul pentru acumulator al încărcătorului. (ris de scurtcircuit)

#### PROTECȚIE SUPRAÎNCĂRCARE ACUMULATOR

În caz de suprasarcină a acumulatorului prin consum foarte mare de curent, de ex. ca urmare a unor momente de rotație extreme, înțepinirea sculei inserate, stop bruscat sau scurtcircuit, scula electrică se oprește pentru 2 secunde și se deconectează de la sine. Pentru resetare, scoateți blocul bateriei din dispozitiv și apoi introduceți-l la loc.

În cazul unor sarcini extreme, acumulatorul se încinge prea tare. În acest caz toate lămpile indicației stării de încărcare pălăie până când acumulatorul s-a răcit. După ce indicația stării de încărcare s-a stins se poate lucra mai departe. Pentru a-l reîncărcă și activa, puneți acumulatorul în în aparatul de încărcare.

#### TRANSPORTUL ACUMULATORILOR CU IONI DE LITIU

Acumulatorii cu ioni de litiu cad sub incidența prescripțiilor legale pentru transportul de mărfuri periculoase.

Transportul acestor acumulatori trebuie să se efectueze cu respectarea prescripțiilor și reglementărilor pe plan local, național și internațional. Consumatorilor le este permis transportul rutier nerestricționat al acestui tip de acumulatori.



Ro

Transportul comercial al acumulatorilor cu ioni de litiu prin intermediul firmelor de expediție și transport este supus reglementărilor transportului de mărfuri periculoase. Pregătirile pentru expediție și transportul au voie să fie efectuate numai de către personal instruit corespunzător. Întregul proces trebuie asistat în mod competent.

Următoarele puncte trebuie avute în vedere la transportul acumulatorilor:

Pentru a se evita scurtcircuite, asigurați-vă de faptul că sunt protejate și izolate contactele.

Aveți grijă ca pachetul de acumulatori să nu poată aluneca în altă poziție în interiorul ambalajului său.

Este interzis transportarea unor acumulatori deteriorați sau care pierd lichid.

Pentru indicații suplimentare adresați-vă firmei de expediție și transport cu care colaborați.



Ro

### CONDIȚII DE UTILIZARE SPECIFICATE

Ciocanul rotopercutor poate fi utilizat pentru perforări, dălțuiri în rocă și găuriri în lemn, metal și plastic.

### ÎNȚREȚINERE

Îndepărtați acumulatorul înainte de începerea lucrului pe mașina Fantele de aerisire ale mașinii trebuie să fie menținute libere tot timpul

Utilizați numai accesorii și piese de schimb Milwaukee. Dacă unele din componente care nu au fost descrise trebuie înlocuite, vă rugăm contactați unul din agenții de service Milwaukee (vezi lista noastră pentru service / garanți

Dacă este necesară, se poate comanda o imagine descompusă a sculei. Vă rugăm menționați numărul art. Precum și tipul mașinii tipărit pe etichetă și comandați desenul la agenții de service locali sau direct la Techtronic Industries GmbH, Max-Eyth-Straße 10, 71364 Winnenden, Germany.

### DECLARAȚIE DE CONFORMITATE

Declarăm pe propria răspundere că produsul descris în capitolul „Date tehnice” îndeplinește toate cerințele relevante ale directivelor 2011/65/UE (RoHS)

2006/42/CE

2014/53/UE

și au fost utilizate următoarele standarde armonizate

EN 60745-1:2009 + A11:2010

EN 60745-2-6:2010

EN 55014-1:2017+A11:2020

EN 55014-2:2015

EN IEC 63000:2018

EN 301 489-1 V2.2.3

EN 301 489-17 V3.1.1

EN 300 328 V2.2.2

EN 62479:2010



Winnenden, 2020-11-30

Alexander Krug / Managing Director  
Împuternicit să elaboreze documentația tehnică.

Techtronic Industries GmbH  
Max-Eyth-Straße 10, 71364 Winnenden, Germany

### SIMBOLURI



PERICOL! AVERTIZARE! ATENȚIE!



Îndepărtați acumulatorul înainte de începerea lucrului pe mașina



Va rugăm citiți cu atenție instrucțiunile înainte de pornirea mașinii



Accesoriu - Nu este inclus în echipamentul standard, disponibil ca accesoriu



SISTEM ANTIVIBRAȚII



A nu se aplica forță.



Purtați întotdeauna ochelari de protecție când utilizați mașina.



Purtați aparatoare de urechi.



Această sculă conține o baterie rotundă specializată tip litiu.



Aparatele electrice, bateriile/acumulatorii nu se elimină împreună cu deșeurile menajere. Aparatele electrice și acumulatorii se colectează separat și se predau la un centru de reciclare, în vederea eliminării ecologice. Informați-vă de la autoritățile locale sau de la comerțianții acreditați în legătură cu centrele de reciclare și de colectare.

$n_o$

Viteza de mers în gol

V

Tensiune



Curent continuu



Marcă de conformitate europeană



Marcă de conformitate britanică



Marcă de conformitate ucraineană

001



Marcă de conformitate eurasiatică

Română

ТЕХНИЧКИ ПОДАТОЦИ	M18 FHM
<b>Бормашина-чекан на батерии</b>	
Производен број	4696 96 02... ... 000001-999999
Фреквентен опсег	2402-2480 MHz
моќност на предавателот	1,8 dBm
Волтажа на батеријата	18 V
Брзина без оптоварување	380 min <sup>-1</sup>
Јачина на удар под оптоварување макс.	2900 min <sup>-1</sup>
Единствена ударна сила според ЕПТА-процедурата 05/2009	11 J
Дијаметар на вратот на врв.	66 mm
Капацитет на дупчење во бетон	45 mm (SDS-max)
Тунелски бит во бетон, тули и варовни карпи	65 mm (SDS-max)
Јазолен сечач во бетон, тули и варовни карпи.	150 mm (SDS-max)
Тежина според ЕПТА-процедурата 01/2014 (Li-Ion 5,0 Ah ... 12,0 Ah)	9,7 ... 10,4 kg
Препорачана температура на околината за работа	-18 °C ... +50 °C
Препорачани комплекти акумулаторски батерии	M18B5 – M18HB12
Препорачани полначи	M12-18...
<b>Информации за бучавата</b>	
Измерените вредности се одредени согласно стандардот EN 60745. А-оценетото ниво на бучава на апаратот типично изнесува:	
Ниво на звучен притисок. (Несигурност K=3dB(A))	96,5 dB (A)
Ниво на јачина на звук. (Несигурност K=3dB(A))	107,5 dB (A)
<b>Носте штитник за уши.</b>	
<b>Информации за вибрации</b>	
Вкупни вибрациски вредности (векторски збир на трите насоки) пресметани согласно EN 60745.	
Бушење во бетон со ударна дупчалка	
Вибрациска емисиона вредност a <sub>h,hd</sub>	9,4 m/s <sup>2</sup>
Несигурност K	1,5 m/s <sup>2</sup>
Длетување:	
Вибрациска емисиона вредност a <sub>h,cheq</sub>	9,4 m/s <sup>2</sup>
Несигурност K	1,5 m/s <sup>2</sup>



## ПРЕДУПРЕДУВАЊЕ!

Нивото на осцилација наведено во овие инструкции е измерено во согласност со мерните постапки нормирани во EN 60745 и може да биде употребено за меѓусебна споредба на електро-алати. Ова ниво може да се употреби и за привремена проценка на оптоварувањето на осцилацијата.

Наведеното ниво на осцилација ги репрезентира главните намени на електро-алатот. Но, доколку електро-алатот се употребува за други намени, со отстапувачки додатоци или со несоодветно одржување, нивото на осцилација може да отстапи. Тоа може значително да го зголеми оптоварувањето на осцилацијата за време на целиот работен период.

За прецизна проценка на оптоварувањето на осцилацијата предвид треба да бидат земени и времињата, во коишто апаратот е исклучен или работи, но фактички не се употребува. Тоа може значително да го намали оптоварувањето на осцилацијата за време на целиот работен период.

Утврдете дополнителни безбедносни мерки за заштита на операторот од влијанието на осцилациите, како на пример: одржување на електро-алатот и на додатоци кон електро-алатот, одржување топли раце, организација на работните процеси.

## **⚠** ПРЕДУПРЕДУВАЊЕ! Прочитајте ги сите безбедносни упатства и инструкции.

Заборавање на почитувањето на безбедносните упатства и инструкции можат да предизвикаат електричен удар, пожар и/или тешки повреди.

**Сочувајте ги сите безбедносни упатства и инструкции за во иднина.**

## **⚠** БЕЗБЕДНОСНИ УПАТСТВА ЗА РОТИРАЧКИ ЧЕКАН

**Носете штитник за уши.** Влијанието на бука може да предизвика губење на сетилото за слух.

**Користете помошни рачки кои доаѓаат заедно со алатот.** Губењето контрола може да предизвика повреда.

**Држете го електричниот алат за издадените површини при изведување на операции при кои алатот за сечење можат да дојдат во контакт со скриени жици.** Контакт со жица под напон исто така ќе направи проводници од металните делови и оној кој ракува со алатот ќе доживее струен удар.

## **Останати безбедносни и работни упатства**

Употребувајте заштитна опрема. При работа со машината постојано носете заштитни очила. Се препорачува заштитна облека како: маска за заштита од прашина, заштитни ракавици, цврсти чевли што не се лизгаат, каџига и заштита за уши.

Прашината која се крева при работа со овој алат може да биде штетна по здравјето и затоа не го изложувајте го телото. Користете систем за апсорпција на прашина и носете соодветна заштитна маска. Одстранете ја целосно наталожената прашина пр: со правосмукалка.

Не смеат да бидат обработувани материјали кои што можат да го загорзат здравјето (на пр. азбест).

Кога работите на сидови, таван или под внимавајте да ги избегнете електричните, гасните и водоводни инсталации.

Доколку употребуваното орудие се блокира, молиме веднаш да се исклучи апаратот! Не го вклучувајте апаратот повторно додека употребуваното орудие е блокирано; притоа би можело да дојде до повратен удар со висок момент на реакција. Испитајте и отстранете ја причината за блокирањето на употребеното орудие имајќи ги во предвид напомените за безбедност.

Можни причини за тоа може да бидат следните:

- Закантување во парчето кое што се обработува
- кршење на материјалот што се обработува
- Преоптоварување на електричното орудие

Не фаќајте во машината кога работи.

Употребеното орудие за време на примената може да стане многу жешко.

**ПРЕДУПРЕДУВАЊЕ!** Опасност од изгоретини

- при менување на орудие
- при ставање на апаратот на страна

Прашината и струготините не смеат да се одстрануваат додека е машината работи.

Обезбедете го предметот кој што го обработувате со направа за напон. Необезбедени парчиња кои што се обработуваат можат да предизвикаат тешки повреди и оштетувања.

Издадете го батеријскиот склоп пред отпочнување на каков и да е зафат врз машината.

### ПРЕДУПРЕДУВАЊЕ



Овој уред содржи една копчасти литиумска батерија.

Доколку се голтне, или доколку влезе во телото, нова или стара батерија може да предизвика тешки внатрешни изгоретини и да доведе до смрт за помалку од два часа. Секогаш обезбедувајте го поклопецот на батеријата. Доколку не се затвора добро, запрете го уредот, издадете ја батеријата и држете ја наопадна од деца. Ако мислите дека батеријата била голтната или дека влегла во телото, веднаш побарајте лекарска помош.

### ОПЕРАЦИЈА

#### Ладно стартување

Ако алатот бил складиран подолг период или на ладни температури, може почетно да не удира поради стврднување на подмачкувањето.

За да го загреете алатот

1. Вметнете и заклучете бургџија или длето во алатот.
2. Повлечете го прекинувачот и применете сила на бургџијата или на длето на бетонска и дрвена површина неколку секунди. Отпуштете го прекинувачот.
3. Повторете додека алатот не почне да удира. Колку е поладен алатот, толку подолго време ќе му биде потребно да се загрее.

### ONE-KEY™

За да дознаете повеќе за ONE-KEY функционалноста на овој алат, прочитајте го приложеното Упатство за брз старт или посетете не на интернет на <http://www.milwaukeeetool.com/one-key>.

Апликацијата ONE-KEY можете да ја симнете на Вашиот смартфон преку App Store или Google Play. Резултатот од инспекцијата ги исполнува нашите минимални барања според EN 301489-1 / EN 301489-17. Во прирачникот за корисници на муштериите ќе им дадеме упатство за ракување.

### БАТЕРИИ

Батериите кои не биле користени подолго време треба да се наполнат пред употреба.

Температура повисока од 50°C (122°F) го намалуваат траењето на батериите. Избегнувајте подолго изложување на батериите на високи температури или сонце (ризик од прегревање). Клемите на полначот и батериите мора да бидат чисти.

За оптимален работен век батериите мора да се наполнат целосно по употреба.

За можно подолг век на траење, апаратите после нивното полнење треба да бидат извадени од апаратот за полнење на батериите. Во случај на складирање на батеријата подолго од 30 дена: Акумулаторот да се чува на температура од приближно 27°C и на суво место. Акумулаторот да се складира на приближно 30%-50% од состојбата на наполнетост. Акумулаторот повторно да се наполни на секои 6 месеци.

Не ги оставајте искористените батериии во домашниот отпад и не горете ги. Дистрибутерите на Милвоки ги собираат старите батериии, со што ја штитат нашата околина.

Не ги чувајте батериите заедно со метални предмети (ризик од краток спој).

Користете исклучиво Систем M18 за полнење на батериии од M18 систем. Не користете батериии од друг систем.

Не ги отворајте насилно батериите и полначите, и чувајте ги само на суво место. Чувајте ги постојано суви.

**ПРЕДУПРЕДУВАЊЕ!** За да избегнете опасноста од пожар, од наранувања или од оштетување на производот, коишто ги создава краток спој, не ја потопувајте во течност алатката, заменливата батерија или полначот и пазете во уредите и во батериите да не проникнуваат течности. Корозивни или електропроводливи течности, како солена вода, одредени хемикалии, избелувачки препарати или производи кои содржат избелувачки супстанции, можат да предизвикаат краток спој.

Киселината од оштетените батериите може да истече при екстреман напон или температури. Доколку дојдете во контакт со исатата, измијте се веднаш со сапун и вода. Во случај на контакт со очите плакнете ги убаво најмалку 10 минути и задолжително одете на лекар.

Метални парчиња не смеат да навлезат во делот за полнење на батерија (ризик од краток спој).

### ЗАШТИТА ОД ПРЕОПТЕРЕТУВАЊЕ НА БАТЕРИЈАТА

Во случај на преоптоварување на батериите поради огромно висока потрошувачка на електрична енергија, на пр. екстремно висок број на вртежни моменти, заглавување на оперативната алатка, неочекувано сопирање или краток спој, електричната алатка прекинува со работа и по 2 секунди автоматски се исклучува. За ресетирање, издадете го акумулаторот од алатот и заменете го.

Во случај на екстремни оптоварувања батеријата се загрева премногу. Во таков случај трепкаат сите ламбички од приказот за полнење сè додека батеријата не се излади. По гаснење на приказот за полнење може да се продолжи со работа. Тогаш ставете ја батеријата во уредот за полнење за повторно да ја наполните и активирате.

## ТРАНСПОРТ НА ЛИТИУМ-ЈОНСКИ БАТЕРИИ

Литиум-јонските батерии подлежат на законските одредби за транспорт на опасни материи.

Транспортот на овие батерии мора да се врши согласно локалните, националните и меѓународните прописи и одредби.

Потрошувачите на овие батерии може да вршат непречен патен транспорт на истите.

Комерцијалниот транспорт на литиум-јонски батерии од страна на шпедитерски претпријатија подлежат на одредбите за транспорт на опасни материи. Подготовките за шпедиција и транспорт треба да ги вршат исклучиво соодветно обучени лица. Целокупниот процес треба да биде стручно надгледуван.

При транспортот на батерии треба да се внимава на следното:

Осигурајте се дека контактите се заштитени и изолирани, а сето тоа со цел да се избегнат кратки споеви.

Внимавајте да не дојде до преместување на батериите во нивната амбалажа.

Забранет е транспорт на оштетени или протечени литиум-јонски батерии.

За понатамошни инструкции обратете се до Вашето шпедитерско претпријатие.

## СПЕЦИФИЦИРАНИ УСЛОВИ НА УПОТРЕБА

Пневматскиот чекан може да биде употребуван универзално за дупчење, клесање во камен и бетон.

## ОДРЖУВАЊЕ

Издадете го батеријскиот склоп пред отпочнување на каков и да е зафат врз машината.

Вентилационите отвори на машината мора да бидат комплетно отворени постојано.

Користете само Milwaukee додатокот и резервни делови. Доколку некои од компонентите кои не се опишани треба да бидат заменети, Ве молиме контактирајте ги сервисните агенти на Milwaukee (консултирајте ја листата на адреси).

Доколку е потребно можно е да биде набавен детален приказ на алатот. Ве молиме наведете го бројот на артиклот како и типот на машина кој е отпечатен на етикетата и порачајте ја скицата кај локалниот застапник или директно кај: Techtronic Industries GmbH, Max-Eyth-Straße 10, 71364 Winnenden, Germany.

## ЕУ-ДЕКЛАРАЦИЈА ЗА СООБРАЗНОСТ

Под целосна лична одговорност изјавуваме дека производот опишан во „Технички податоци“ е во сообразност со сите релевантни прописи од директивите 2011/65/EU (RoHS) 2006/42/EC 2014/53/EU

и дека се применети следните хармонизирани стандарди

EN 60745-1:2009 + A11:2010

EN 60745-2-6:2010

EN 55014-1:2017+A11:2020

EN 55014-2:2015

EN IEC 63000:2018

EN 301 489-1 V2.2.3

EN 301 489-17 V3.1.1

EN 300 328 V2.2.2

EN 62479:2010



Winnenden, 2020-11-30

Alexander Krug / Managing Director

Ополномоштен за составување на техничката документација.

Techtronic Industries GmbH

Max-Eyth-Straße 10, 71364 Winnenden, Germany

## СИМБОЛИ



ВНИМАНИЕ! ПРЕДУПРЕДУВАЊЕ! ОПАСНОСТ!



Издадете го батеријскиот склоп пред отпочнување на каков и да е зафат врз машината.



Ве молиме пред да ја стартувате машината обрнете внимание на упатствата за употреба.



Дополнителна опрема - Не е вклучена во стандардната, а достапна е како додаток.



Антивибрационен систем



Не употребувајте сила.



Секогаш при користење на машината носете ракавици.



Носете штитник за уши.



Овој уред содржи една копчеста литиумска батерија.



Електричните апарати и батериите што се полнат не смеат да се фрлат заедно со домашниот отпад. Електричните апарати и батериите треба да се собираат одделно и да се однесат во соодветниот погон заради нивно фрлање во склад со начелата за заштита на околината. Информирајте се кај Вашите местни служби или кај специјализираниот трговски претставник, каде има такви погони за рециклажа и собираи станици.

n<sub>0</sub>

Брзина без оптоварување

V

Напон



Истосмерна струја



Европска ознака за сообразност



Британска ознака за сообразност



Украинска ознака за сообразност

001



Евроазиска ознака за сообразност



ТЕХНІЧНІ ХАРАКТЕРИСТИКИ	M18 FHM
<b>Акумуляторний перфоратор</b>	
Номер виробу	4696 96 02... ... 000001-999999
діапазон частот	2402-2480 MHz
потужність радіовипромінювання	1,8 dBm
Напруга змінної акумуляторної батареї	18 V
Кількість обертів холостого ходу	380 min <sup>-1</sup>
Кількість ударів під навантаженням макс.	2900 min <sup>-1</sup>
Сила окремого удару згідно з процедурою EPTA 05/2009	11 J
Шийка затиску, Ø	66 mm
Ø свердління бетону	45 mm (SDS-max)
Тунельне свердло для бетону, цегли та силікатної цегли	65 mm (SDS-max)
Кільцева свердлильна коронка для бетону, цегли та силікатної цегли	150 mm (SDS-max)
Вага згідно з процедурою EPTA 01/2014 (Li-Ion 5,0 Ah ... 12,0 Ah)	9,7 ... 10,4 kg
Температура навколишнього середовища, рекомендована для експлуатації	-18 °C ... +50 °C
Рекомендовані акумулятори	M18B5 – M18HB12
Рекомендовані зарядні пристрої	M12-18...
<b>Інформація про шум</b>	
Виміряні значення визначені згідно з EN 60745. Рівень шуму „A“ приладу становить в типовому випадку:	
Рівень звукового тиску (похибка K = 3 дБ(A))	96,5 dB (A)
Рівень звукової потужності (похибка K = 3 дБ(A))	107,5 dB (A)
<b>Використовувати засоби захисту органів слуху!</b>	
<b>Інформація щодо вібрації</b>	
Сумарні значення вібрації (векторна сума трьох напрямків), встановлені згідно з EN 60745.	
Ударне свердління бетону	
Значення вібрації a <sub>h,HD</sub>	9,4 m/s <sup>2</sup>
похибка K =	1,5 m/s <sup>2</sup>
Довбання:	
Значення вібрації a <sub>h,Cheq</sub>	9,4 m/s <sup>2</sup>
похибка K =	1,5 m/s <sup>2</sup>



## ПОПЕРЕДЖЕННЯ!

Рівень вібрації, вказаний в цій інструкції, вимірювався згідно з методом вимірювання, нормованим стандартом EN 60745, і може використовуватися для порівняння електроінструментів. Він призначений також для попередньої оцінки навантаження від вібрації.

Вказаний рівень вібрації відповідає основним сферам використання електроінструменту. Але якщо електроінструмент використовується для іншої мети, з іншими вставними інструментами або при недостатньому технічному обслуговуванні, рівень вібрації може бути іншим. Це може значно підвищити навантаження від вібрації за весь період роботи.

Для точної оцінки навантаження від вібрації необхідно також враховувати час, коли прилад вимкнений або увімкнений, але фактично не використовується. Це може значно зменшити навантаження від вібрації за весь період роботи.

Визначте додаткові заходи безпеки для захисту оператора від дії вібрації, наприклад: Технічне обслуговування електроінструменту та вставних інструментів, зігрівання рук, організація робочих процесів.



**ПОПЕРЕДЖЕННЯ! Прочитайте всі вказівки з техніки безпеки та інструкції.** Упущення при дотриманні вказівок з техніки безпеки та інструкцій можуть призвести до ураження електричним струмом, пожежі та/або тяжких травм.

**Зберігайте всі вказівки з техніки безпеки та інструкції на майбутнє.**



**ВКАЗІВКИ З ТЕХНІКИ БЕЗПЕКИ ДЛЯ ПЕРФОРАТОРІВ**

**Користуйтеся засобами захисту органів слуху.** Вплив шуму може спричинити втрату слуху.

**Використовувати додаткові рукоятки, що постачаються з приладом.** Втрата контролю може призвести до пошкоджень.

**Під час виконання робіт тримайте електроінструмент за ізольовані поверхні рукояток, якщо вставний інструмент може натрапити на приховані електричні лінії.** Контакт

з лінією під напругою може призвести до появи напруги в металевих частинах приладу та до ураження електричним струмом.

## Додаткові інструкції з техніки безпеки та експлуатації

Використовуйте індивідуальні засоби захисту. Під час роботи з машиною завжди носіть захисні окуляри. Радимо використовувати захисний одяг, як наприклад маску для захисту від пилу, захисні рукавиці, міцне та нековзне взуття, каску та засоби захисту органів слуху.

Пил, що утворюється під час роботи, часто буває шкідливим для здоров'я; він не повинен потрапляти в організм. Використовувати засоби для відсмоктування пилу та додатково носити відповідну маску для захисту від пилу. Відкладення пилу ретельно видаляйте, наприклад, пилососом.

Не можна обробляти матеріали, небезпечні для здоров'я (наприклад, азбест).

Під час роботи на стінах, стелях або підлозі звертати увагу на електричні кабелі, газові та водопровідні лінії.

При блокуванні вставного інструменту негайно вимкнути прилад! Не вмикайте прилад, якщо вставний інструмент заблокований; при цьому може виникати віддача з високим зворотнім моментом. Визначити та усунути причину блокування вставного інструменту з урахуванням вказівок з техніки безпеки.

Причиною може бути:

- Перекіс в заготовці, що обробляється
- Пробивання оброблюваного матеріалу
- Перевантаження електроінструмента

Частини тіла не повинні потрапляти в машину, коли вона працює.

Вставний інструмент може нагріватися під час роботи.

**ПОПЕРЕДЖЕННЯ!** Небезпечна опіків

- при заміні інструменту
- при відкладанні приладу

Не можна видаляти стружку або уламки, коли машина працює.

Зафіксувати заготовку в затисковому пристрої. Незакріплені заготовки можуть привести до тяжких травм та пошкоджень.

Перед будь-якими роботами на приладі виїняти змінну акумуляторну батарею.

### ПОПЕРЕДЖЕННЯ



Пристрій використовує кнопковий/плаский круглий літєвий акумулятор. Новий або використаний акумулятор може спричинити сильні внутрішні опіки та призвести до смерті протягом 2 годин у разі проковтування чи потраплення в організм. Завжди закріплюйте кришку акумуляторного відсіку. Якщо вона не закривається надійно, зупиніть пристрій, вийміть акумулятор і зберігайте його в недоступному для дітей місці. Якщо ви вважаєте, що людина проковтнула акумулятор чи що акумулятор іншим шляхом потрапив в організм, зверніться за терміновою медичною допомогою.

### ЕКСПЛУАТАЦІЯ

#### Холодний запуск

Одразу після тривалого зберігання тривалого часу або при низьких температурах інструмент може погано працювати через затвердіння мастила.

Для прогрівання інструменту

1. вставте в інструмент свердло чи долото та зафіксуйте його.
2. Натисніть кнопку запуску та втисніть долото чи свердло в бетонну або дерев'яну поверхню на кілька секунд. Відпустіть кнопку запуску.
3. Повторюйте, доки інструмент не почне здійснювати ударні рухи. Що холоднішим є інструмент, то довше він прогріватиметься.

### ONE-KEY™

Додаткову інформацію щодо функції ONE-KEY цього інструмента див. в наданому короткому посібнику щодо початку роботи або на нашому інтернет-сайті <http://www.milwaukeetool.com/one-key>. Можна завантажити застосунок ONE-KEY через App Store або Google Play на ваш смартфон. Результат випробування відповідає нашим мінімальним вимогам згідно з EN 301489-1 / EN 301489-17. Ми надамо замовнику інструкції з експлуатації в посібнику користувача.

### АКУМУЛЯТОРНІ БАТАРЕЇ

Змінну акумуляторну батарею, що не використовувалася тривалий час, перед використанням необхідно підзарядити.

Температура понад 50 °C зменшує потужність змінної акумуляторної батареї. Уникайте тривалого нагрівання сонячними променями або системою обігріву.

З'єднувальні контакти зарядного пристрою та змінної акумуляторної батареї повинні бути чистими.

Для забезпечення оптимального строку експлуатації акумуляторної батареї після використання необхідно повністю зарядити.

Для забезпечення максимально можливого терміну експлуатації акумуляторної батареї після зарядки необхідно виймати з зарядного пристрою. При зберіганні акумуляторної батареї понад 30 днів: Зберігати акумуляторну батарею при температурі приблизно 27 °C в сухому місці. Зберігати акумуляторну батарею в стані зарядки приблизно 30-50 %. Кожні 6 місяців заново заряджати акумуляторну батарею.

Відпрацьовані змінні акумуляторні батареї не можна кидати у вогонь або викидати з побутовими відходами. Milwaukee пропонує утилізацію старих змінних акумуляторних батарей, безпечно для довкілля; зверніться до свого дилера.

Не зберігати змінні акумуляторні батареї разом з металевими предметами (небезпека короткого замикання).

Змінні акумуляторні батареї системи M18 заряджати лише зарядними пристроями системи M18. Не заряджати акумуляторні батареї інших систем.

Не відкривати змінні акумуляторні батареї і зарядні пристрої та зберігати їх лише в сухих приміщеннях. Беретти від вологи.

**ПОПЕРЕДЖЕННЯ!** Для запобігання небезпеці пожежі в результаті короткого замикання, травмам і пошкодженню виробів не занурюйте інструмент, змінний акумулятор або зарядний пристрій у рідину і не допускайте потраплення рідини всередину пристроїв або акумуляторів. Корозійні і струмопровідні рідини, такі як солоний розчин, певні хімікати, вибілювальні засоби або продукти, що їх містять, можуть призвести до короткого замикання.

При екстремальному навантаженні або при екстремальній температурі з пошкодженої змінної акумуляторної батареї може витікати електроліт. При потрапленні електроліту на шкіру його негайно необхідно змити водою з милом. При потрапленні в очі їх необхідно негайно ретельно промити, щонайменше 10 хвилин, та негайно звернутися до лікаря.

В гніздо зарядного пристрою, яке призначене для встановлення змінної акумуляторної батареї, не повинні потрапляти металеві деталі (небезпека короткого замикання).

### ЗАХИСТ АКУМУЛЯТОРНОЇ БАТАРЕЇ ВІД ПЕРЕВАНТАЖЕННЯ

При перевантаженні акумуляторної батареї внаслідок занадто високого споживання струму, наприклад, занадто високий крутильний момент, заклинювання вставного інструмента, раптова зупинка або коротке замикання, електроінструмент зупиняється на протязі 2 секунд та самостійно вимикається. Для скидання просто вийміть акумуляторну батарею з інструмента та встановіть її повторно.

При надмірних навантаженнях акумуляторна батарея сильно перегріватиметься. В цьому випадку всі лампочки індикатора заряду блимають, доки акумуляторна батарея не охолоне. Можна продовжити роботу після того, як індикатор заряду загасне. Вставити акумуляторну батарею в зарядний пристрій, щоб знову зарядити та активувати її.



## ТРАНСПОРТУВАННЯ ЛІТІЙ-ІОННИХ АКУМУЛЯТОРНИХ БАТАРЕЙ

Літій-іонні акумуляторні батареї підпадають під законоположення про перевезення небезпечних вантажів.

Транспортування таких акумуляторних батарей повинно відбуватися із дотриманням місцевих, національних та міжнародних приписів та положень.

споживачі можуть без проблем транспортувати ці акумуляторні батареї по вулиці.

Комерційне транспортування літій-іонних акумуляторних батарей експедиторськими компаніями підпадає під положення про транспортування небезпечних вантажів. Підготовку до відправлення та транспортування можуть здійснювати виключно особи, які пройшли відповідне навчання. Весь процес повинні контролювати кваліфіковані фахівці.

При транспортуванні акумуляторних батарей необхідно дотримуватись зазначених далі пунктів:

Переконатися в тому, що контакти захищені та ізольовані, щоб запобігти короткому замиканню.

Слідкуйте за тим, щоб акумуляторна батарея не переміщувалася всередині упаковки.

Пошкоджені акумуляторні батареї, або акумуляторні батареї, що потекли, не можна транспортувати.

Для отримання подальших вказівок звертайтеся до своєї експедиторської компанії.

### ВИКОРИСТАННЯ ЗА ПРИЗНАЧЕННЯМ

Перфоратор можна використовувати універсально для ударного свердління та додання каменю та бетону.

### ОБСЛУГОВУВАННЯ

Перед будь-якими роботами на приладі виняти змінну акумуляторну батарею.

Завжди підтримувати чистоту вентиляційних отворів.

Використовувати тільки комплектуючі та запчастини Milwaukee.

Деталі, заміна яких не описується, замінювати тільки в відділі обслуговування клієнтів Milwaukee (зверніть увагу на брошуру „Гарантія / адреси сервісних центрів“).

У разі необхідності можна запросити креслення з зображенням вузлів машини в перспективному вигляді, для цього потрібно звернутися в ваш відділ обслуговування клієнтів або безпосередньо в Techtronic Industries GmbH, Max-Eyth-Straße 10, 71364 Winnenden, Німеччина, та вказати тип машини та шестизначний номер на фірмовій табличці з даними машини.

### СЕРТИФІКАТ ВІДПОВІДНОСТІ ВИМОГАМ ЄС

Ми заявляємо на власну відповідальність, що виріб, описаний в „Технічних даних“, відповідає всім застосовним положенням директиви

2011/65/EU (RoHS)

2006/42/EC

2014/53/EU

та наступним гармонізованим нормативним документам:

EN 60745-1:2009 + A11:2010

EN 60745-2-6:2010

EN 55014-1:2017+A11:2020

EN 55014-2:2015

EN IEC 63000:2018

EN 301 489-1 V2.2.3

EN 301 489-17 V3.1.1

EN 300 328 V2.2.2

EN 62479:2010



Winnenden, 2020-11-30

Alexander Krug / Managing Director

Уповноважений із складання технічної документації.

Techtronic Industries GmbH

Max-Eyth-Straße 10, 71364 Winnenden, Germany

### СИМВОЛИ



УВАГА! ПОПЕРЕДЖЕННЯ! НЕБЕЗПЕЧНО!



Перед будь-якими роботами на приладі виняти змінну акумуляторну батарею.



Уважно прочитайте інструкцію з експлуатації перед введенням приладу в дію.



Комплектуючі - не входять в обсяг постачання, рекомендовані доповнення з програми комплектуючих.



Антивібраційна система



Не застосовувати силу.



Під час роботи з машиною завжди носити захисні окуляри.



Користуйтеся засобами захисту органів слуху.



Пристрій використовує кнопковий/плаский круглий літєвий акумулятор.



Електроприлади, батареї/акумулятори заборонено утилізувати разом з побутовим сміттям. Електричні прилади і акумулятори слід збирати окремо і здавати в спеціалізовану компанію для утилізації відповідно до норм охорони довкілля. Зверніться до місцевих органів або до вашого дилера, щоб отримати адреси пунктів вторинної переробки та пунктів прийому.

$n_0$

Кількість обертів холостого ходу

V

Напруга



Постійний струм



Європейський знак відповідності



Британський знак відповідності



Український знак відповідності

001



Євроазіатський знак відповідності



Українська



## شروط الاستخدام المحددة

يمكن استخدام الدقاق الهوائي عموماً في عمليات الحفر بالدق والنحت في الأحجار والخرسانات.

## الصيانة

انزع البطارية قبل التعامل مع الجهاز.

يجب أن تكون فتحات تهوية الجهاز نظيفة طوال الوقت. استخدم فقط ملحقات ميلوكي وكذلك قطع غيار ميلوكي. إذا كانت المكونات التي يجب تغييرها غير مذكورة، يرجى الاتصال بأحد عملاء صيانة ميلوكي (انظر قائمة عناوين الضمان/الصيانة الخاصة بنا).

عند الحاجة يمكن طلب رمز انفجار الجهاز بعد ذكر طراز الآلة والرقم السداسي المذكور على بطاقة طاقة الآلة لدى جهة خدمة العملاء أو مباشرة لدى شركة  
Techtronic Industries GmbH, Max-Eyth-Straße  
10, 71364 Winnenden  
ألمانيا

## إعلان المطابقة - الاتحاد الأوروبي

نعلن تحت مسؤوليتنا وحدنا أن المنتج المعين تحت اسم "البيانات الفنية" يستوفي جميع الأحكام ذات الصلة ضمن التوجيهات

2011/65/EU (RoHS)

2006/42/EG

2014/53/EU

والمعايير المتسقة التالية

EN 60745-1:2009 + A11:2010

EN 60745-2-6:2010

EN 55014-1:2017+A11:2020

EN 55014-2:2015

EN IEC 63000:2018

EN 301 489-1 V2.2.3

EN 301 489-17 V3.1.1

EN 300 328 V2.2.2

EN 62479:2010

Winnenden, 2020-11-30



*Alexander Krug*

Alexander Krug / Managing Director  
معمتمدة للمطابقة مع الملف الفني

Techtronic Industries GmbH  
Max-Eyth-Straße 10, 71364 Winnenden,  
Germany

## الرموز

تنبيه! تحذيراً خطراً!



انزع البطارية قبل التعامل مع الجهاز.



يرجى قراءة التعليمات بعناية قبل بدء تشغيل الجهاز.



الملحق - ليس مدرجاً كمعدة قياسية، متوفر كملحق.



نظام منع الاهتزاز



لا تستخدم القوة



ارتد دائماً نظارات الوقاية عند استخدام الجهاز.



ارتد واقيات الأذن.



يحتوي هذا الجهاز على بطارية من خلايا الليثيوم على شكل عملة معدنية/أزرار.



يحظر التخلص من الأجهزة الكهربائية والبطاريات/البطاريات القابلة للشحن في القمامة المنزلية. يجب جمع الأجهزة الكهربائية والبطاريات القابلة للشحن منفصلة وتسليمها للتخلص منها بشكل لا يضر



بالبيئة لدى شركة إعادة استغلال. الرجاء الاستفسار لدى الهيئات المحلية أو لدى التجار المتخصصين عن مواقع إعادة الاستغلال ومواقع الجمع.

أقصى سرعة دون وجود حمل



الجهد الكهربائي



التيار المستمر



علامة التوافق الأوروبية



علامة التوافق البريطانية



علامة التوافق الأوكرانية



001

علامة التوافق الأوروبية الآسيوية



17-301489-1، وسنقدم إرشادات التشغيل للعميل في دليل المستخدم.

### البطاريات

يجب إعادة شحن البطارية غير المستخدمة لفترة قبل الاستخدام. تقلل درجات الحرارة التي تتجاوز 50° سيلزيوس (122° فهرنهايت) من أداء البطارية. تجنب التعرض الزائد للحرارة أو أشعة الشمس (خطر التسخين)..

يجب الحفاظ على محتويات الشواحن و البطاريات نظيفة. للحصول على فترة استخدام مثالية، يجب شحن البطاريات تماماً، بعد الاستخدام. للحصول على أطول عمر ممكن للبطارية، انزع البطارية من الشاحن بمجرد شحنها تماماً. لتخزين البطارية أكثر من 30 يوم: خزن البطارية بحيث تكون درجة الحرارة أقل من 27° سيلزيوس وبعيداً عن أي طوية خزن البطارية مشحونة بنسبة 50% - 30 اشحن البطارية كالمعتاد، وذلك كل ستة أشهر من التخزين.

لا تتصلخ من البطاريات المستعملة مع النفايات المنزلية أو بحرقها. يقدم موزع ميلوكي خدمة استعادة البطاريات القديمة لحماية البيئة. لا تقم بتخزين البطارية مع الأشياء المعدنية (خطر قصر الدائرة)..

استخدم فقط شواحن System M18 لشحن بطاريات System M18. لا تستخدم بطاريات من أنظمة أخرى. لا تقم أبداً بفتح قفل البطارية والشواحن ولا تخزنهم إلا في غرف جافة. وحافظ عليها جافة طوال الوقت.

قد يتسرب حمض البطارية من البطاريات التالفة في ظروف الحمل الزائد بدرجة كبيرة أو في درجات الحرارة الشديدة. في حالة ملامسة حمض البطارية بغسل يديك فوراً بالماء والصابون. في حالة ملامسة السائل للعينين اشطفهما جيداً لمدة 10 دقائق على الأقل واطلب العناية الطبية فوراً.

يجب تجنب دخول أي أجزاء معدنية في قسم البطارية الخاصة بالشاحن (خطر الماس الكهربائي)..

### حمية البطارية

في حالة التحميل الزائد على البطارية نتيجة استهلاك طاقة كهربائية عالية جداً، على سبيل المثال عزم دوران عالي جداً، أو إنحسار الآلة المستخدمة أو التوقف المفاجئ أو حدوث ماس كهربائي تتوقف الآلة الكهربائية لمدة دقيقتين وتتوقف تلقائياً عن العمل. لإعادة الضبط، قم بإزالة حمزة البطاريات من الآلة واستبدالها.

في الظروف القصوى للعمل، قد ترتفع درجة الحرارة الداخلية للبطارية ارتفاعاً شديداً. إذا حدث ذلك، سيضيء مقياس الوقت حتى تنخفض درجة حرارة البطارية. بعد انطفاء الأضواء، يمكنك متابعة العمل. ضع البطارية على الشاحن للشحن ثم أعد ضبطها.

### نقل بطاريات الليثيوم

تخضع بطاريات الليثيوم أيون لشروط قوانين نقل السلع الخطرة. ويجب نقل هذه البطاريات وفقاً للأحكام والقوانين المحلية والوطنية والدولية.

يمكن للمستخدم نقل البطاريات برأ دون الخضوع لشروط أخرى. يخضع النقل التجاري لبطاريات الليثيوم أيون عن طريق الغير إلى قوانين نقل السلع الخطرة. يتعين أن يقوم أفراد مدربون جيداً بالإعداد لعملية النقل والقيام بها بصحبة خبراء مثلهم.

متى تُنقل البطاريات:

عند التأكد من حماية أطراف توصيل البطارية وعزلها تجنباً لحدوث قصر بالدائرة.

عند التأكد من حماية حمزة البطارية من الحركة داخل صندوق التعبئة.

يُرجى عدم نقل البطاريات التي بها تشققات أو تسربات.

يُرجى البحث مع شركة الشحن عن نصيحة أخرى

لا يجوز استخدام مواد ينجم عنها أضرار على الصحة (حري صخري).

عند العمل في سقف الحوائط أو الأرضية، توخ الحذر وتجنب الكابلات الكهربائية وأنابيب الغاز أو المياه.

الرجاء إيقاف تشغيل الجهاز على الفور في حالة عرقلة أداة الاستعمال! لا تقم بتشغيل الجهاز مرة أخرى، طالما أن الأداة المستعملة لازالت في حالة عرقلة، حيث يمكن أن يحدث هنا ارتداد عكسي مصحوب بقوة رد فعل عالية. قم بالبحث وإزالة أسباب عرقلة أداة الاستعمال مع مراعاة تعليمات الأمان.

الأسباب الممكنة لذلك يمكن أن تكون هي:  
• انحدار في القطعة المخصصة للاستعمال

• إنحسار المواد المستخدمة.

• زيادة الحمل على الآلة الكهربائية

لا تلامس بيدك الماكينة أثناء دورانها.

الأداة المستخدمة قد تسخن خلال الاستخدام.

تحذيراً هناك خطر الإصابة بحروق

• عند استبدال الأداة

• عند وضع الجهاز

لا يجب إزالة النشارة والشطابيا أثناء تشغيل الآلة.

قم بتأمين القطعة المستخدمة من المواد في تجهيز تثبيت القطع المستخدمة من المواد الغير مرمنة يمكن أن تسبب في إصابات وأضرار حادة.

انزع البطارية قبل التعامل مع الجهاز.

تحذيراً لتجنب أضرار الحريق أو الإصابة أو الإضرار بالمنتج التي تنجم عن الماس الكهربائي، لا تقم الأداة أو البطارية القابلة للاستبدال أو جهاز الشحن في السوائل وأحرص على أن لا تصل السوائل إلى داخل الجهاز والبطارية. السوائل المؤدية للتآكل أو الموصلة للتيار الكهربائي، مثل الماء المالح و مركبات كيميائية معينة ومواد التبييض التي تشتمل على مواد تبيض، يمكن أن تؤدي إلى حدوث ماس كهربائي.

### تحذير

يحتوي هذا الجهاز على بطارية من خلايا الليثيوم على شكل عملة معدنية/زرار. قد تسبب البطارية الجديدة أو المستخدمة حرائق داخلية عديدة وتؤدي إلى الوفاة في أقل من ساعتين في حالة بلعها أو دخولها الجسم. أحرص على تثبيت الغطاء بمقصورة البطارية دوماً. وفي حالة عدم إغلقه بإحكام، أوقف الجهاز، وأزل البطارية واحتفظ بها بعيداً عن متناول الأطفال. إذا كنت تعتقد أن شخصاً ما قد بلع البطارية أو أنها دخلت إلى الجسم، فاطلب العناية الطبية الفورية.

### التشغيل

#### بدء التشغيل البارد

إذا خُزنت هذه الأداة لفترة زمنية طويلة أو في درجة حرارة باردة، فربما لا تشرع في الطرق في البداية لأن الترسيم أصبح صلباً.

من أجل إحماء الأداة

1. قم بإدخال وتأمين قفل لقمة أو إزميل في الأداة.
2. اجذب زر الإطلاق وقم ببذل بعض القوة على اللقمة أو الإزميل على سطح خرساني أو خشبي ليضع ثوان. اترك زر الإطلاق.
3. كبر ذلك حتى تبدأ الأداة في الطرق. كلما كانت الأداة باردة، طال الوقت الذي تستغرقه من أجل الإحماء.

### ™ ONE-KEY

لمعرفة المزيد حول عمل خاصية "المفتاح الواحد" المزدودة بها هذه الماكينة، اقرأ الدليل المختصر المرفق أو تفصل بزيارة موقع الإنترنت <http://www.milwaukeetool.com>

يمكنك تحميل تطبيق "المفتاح الواحد" عن طريق App Store أو Google Play على هاتفك الذكي. نتائج الفحص تلمي أقل مطلباًتبعاً للمعايير EN 301489-1 / EN

M18 FHM	البيانات الفنية
4696 96 02...	مطرقة كهربائية دوار لاسلكي
... 000001-999999	إنتاج عدد
2402-2480 MHz	نطاق التردد
1,8 dBm	قدرة التردد الراديوي
18 V	فولطية البطارية
380 min <sup>-1</sup>	أقصى سرعة دون وجود حمل
2900 min <sup>-1</sup>	معدل الحفر بالذق تحت الحمل الحد الأقصى
11 J	طاقة التأثير لكل شوط طبقاً لإجراء EPTA رقم 05/2009
66 mm	قطر عنق الظرف
45 mm (SDS-max)	قدرة الحفر في الخرسانة
65 mm (SDS-max)	لقمة الحفر في الخرسانة والطوب والحجر الجيري
150 mm (SDS-max)	آلة القطع الأساسية في الخرسانة، والطوب والحجر الجيري
9,7 ... 10,4 kg	الوزن وفقاً لنهج EPTA رقم 01/2014 ((Li-Ion 5,0 Ah ... 12,0 Ah))
-18 °C ... +50 °C	درجة حرارة البيئة المحيطة الممنوح بها من أجل التشغيل
M18B5 – M18HB12	البطاريات الممنوح بها
M12-18...	جهاز الشحن الممنوح به
<b>معلومات الضوضاء</b>	
القيم التي تم قياسها محددة وفقاً للمعايير الأوروبية EN 60 745 مستويات ضوضاء الجهاز، ترجيحاً بشكل نموذجي كالتالي:	
96,5 dB (A)	مستوى ضغط الصوت (الارتياح في القياس = 3 ديسيبل (A))
107,5 dB (A)	مستوى شدة الصوت (الارتياح في القياس = 3 ديسيبل (A))
<b>ارتد وإقيات الأذن!</b>	
<b>معلومات الاهتزاز</b>	
قيم الذبذبات الإجمالي (مجموع الكميات الموجهة في المحاور الثلاثة) محددة وفقاً للمعايير الأوروبية EN 60745.	
9,4 m/s <sup>2</sup>	الحفر بالمطرقة في الخرسانة
1,5 m/s <sup>2</sup>	قيمة انبعاث الذبذبات a <sub>h, HD</sub> الارتياح في القياس
لنحت::	
9,4 m/s <sup>2</sup>	قيمة انبعاث الذبذبات a <sub>h, Cheq</sub> الارتياح في القياس
1,5 m/s <sup>2</sup>	



### تحذير!

تم قياس مستوى انبعاث الذبذبات الموجود بوثيقة المعلومات هذه وفقاً للاختبار القياسي وفقاً للمعايير الأوروبية EN 60745 ويمكن استخدامه لمقارنة جهاز بغيره. كما يمكن استخدامه لعرض تقييم تمهيدي.

يمثل مستوى انبعاث الذبذبات المعلن عنه تطبيقات الجهاز الرئيسية. بالرغم من ذلك، فإنه إذا ما تم استخدام الجهاز لتطبيقات مختلفة، فملحقات مختلفة أو لم يتم المحافظة عليه، فقد يختلف انبعاث الذبذبات. قد يزيد ذلك بصورة كبيرة من مستوى التعرض للذبذبات طوال فترة العمل الإجمالية.

يجب الوضع في الاعتبار عند تقدير مستوى التعرض للذبذبات مرات إيقاف الجهاز أو تشغيله لكن دون استخدامه في القيام بمهمة. فقد يقل ذلك بصورة كبيرة من مستوى التعرض للذبذبات طوال فترة العمل الإجمالية.

تعرف على معايير السلامة الإضافية لحماية المشغل من أثار الذبذبات مثل: صيانة الجهاز والملحقات، الحفاظ على دفء الأيدي، وتنظيم نماذج العمل.

**عند أداء أعمال قد تلامس فيها أداة القطع أسلاك مخفية، أحمل الآلة الكهربائية من أسطح القبض المعزولة فقط.** تتسبب ملامسة أحد ملحقات آلة القطع بسلك كهربائي "موصلة" في جعل الأجزاء المعدنية المكشوفة بالآلة الكهربائية "موصلة" كهربائياً مما يجعل المشغل عرضة لصدمة كهربائية.

### إرشادات أمان وعمل إضافية

استخدم معدة الوقاية. ارتد دائماً نظارة الوقاية عند العمل بالآلة. ينصح باستخدام الملابس الواقية مثل الكمامات الواقية من الغبار، والقفازات، والأحذية القوية غير المنزلقة، والخوذات، وواقيات الأذن.

قد تكون الأتربة الناتجة عن استخدام هذه الآلة ضارة بالصحة. لا تستنشق هذه الأتربة. استخدم نظام امتصاص الأتربة وارتد قناعاً واقياً من الأتربة مناسباً. قم بإزالة الأتربة الموجودة تماماً، باستخدام المكنسة الكهربائية على سبيل المثال.

**تحذير! اقرأ جميع تحذيرات السلامة وجميع التعليمات، بما فيها، قد يؤدي الفشل في مراعاة التحذيرات والتعليمات إلى التعرض للإصابة بصدمة كهربائية أو الحريق و/أو إصابة خطيرة.**

**احتفظ بجميع التنبيهات والتعليمات للرجوع إليها مستقبلاً.**

### تعليمات السلامة للمطرقة الدوارة

**ارتد واقيات الأذن.** ارتد قد يسبب التعرض للضوضاء إلى فقدان السمع.

**استخدم المقابض الإضافية، إذا كانت مرفقة مع الأداة.** اقد يسبب فقدان السيطرة حدوث إصابة شخصية.

Copyright 2021  
Techtronic Industries GmbH  
Max-Eyth-Straße 10  
71364 Winnenden  
Germany  
+49 (0) 7195-12-0  
[www.milwaukeeetool.eu](http://www.milwaukeeetool.eu)

Techtronic Industries (UK) Ltd  
Fieldhouse Lane  
Marlow Bucks SL7 1HZ  
UK



**EAC UK  
CA**

(11.20)

**4931 4250 97**